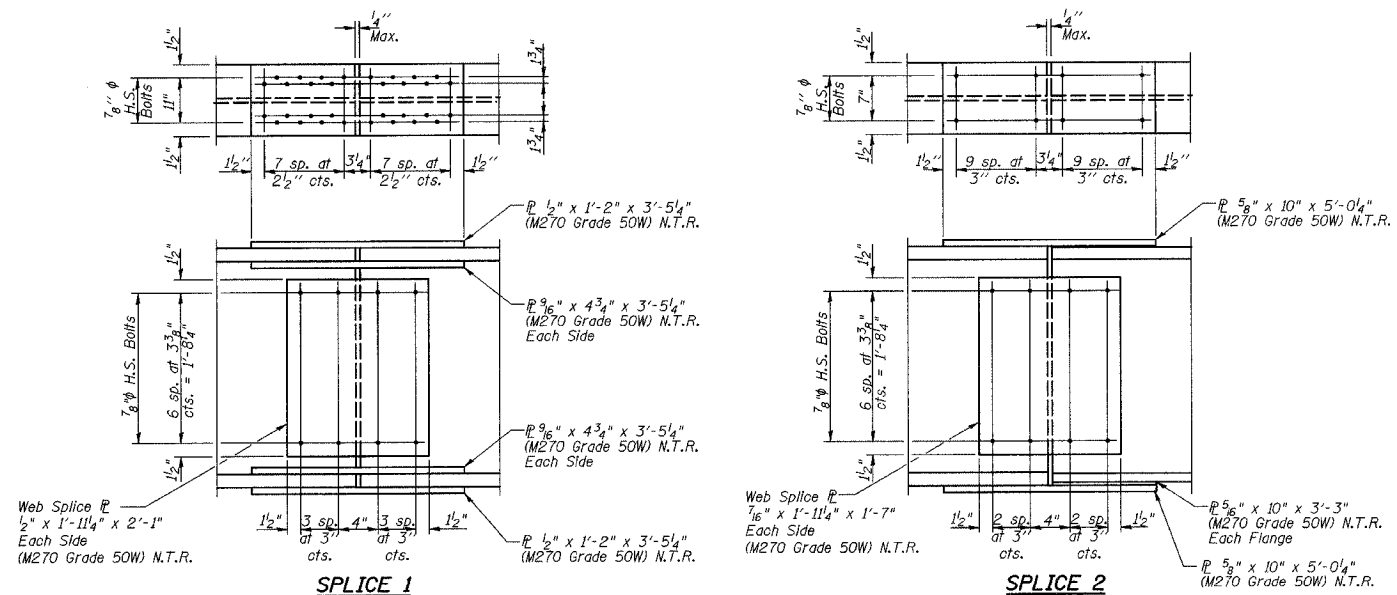
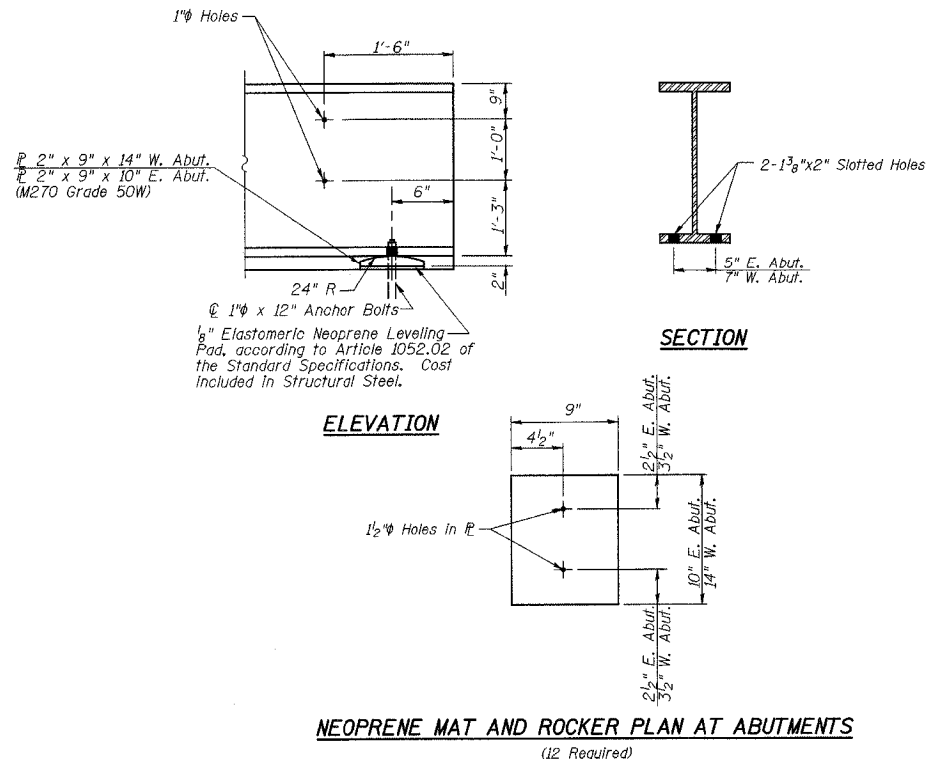


F.A.P. NO.	SECTION	COUNTY	TOTAL SHEETS	SHEET NO.
95	7B-1	EFFINGHAM	409	354
FED. ROAD DIST. NO. 7	ILLINOIS	FED. AID PROJECT		
CONTRACT NO. 94356				

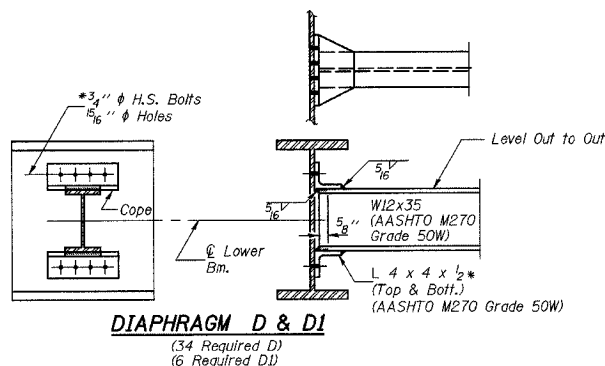
SHEET NO. 9
SHEETS 18



Note:
Steel designated with N.T.R. shall conform to the requirements for Notch Toughness (Zone 2).



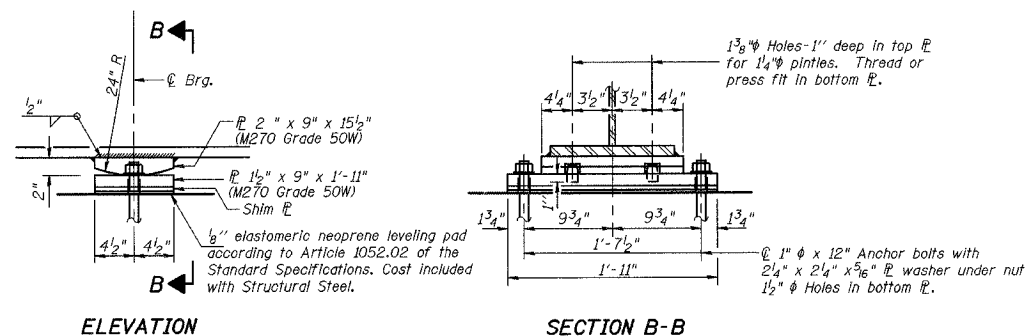
NEOPRENE MAT AND ROCKER PLAN AT ABUTMENTS
(12 Required)



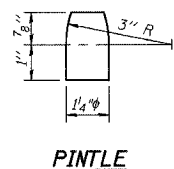
DIAPHRAGM D & D1
(34 Required D)
(6 Required D1)

Note:
Two hardened washers shall be required over all oversize holes for diaphragms.

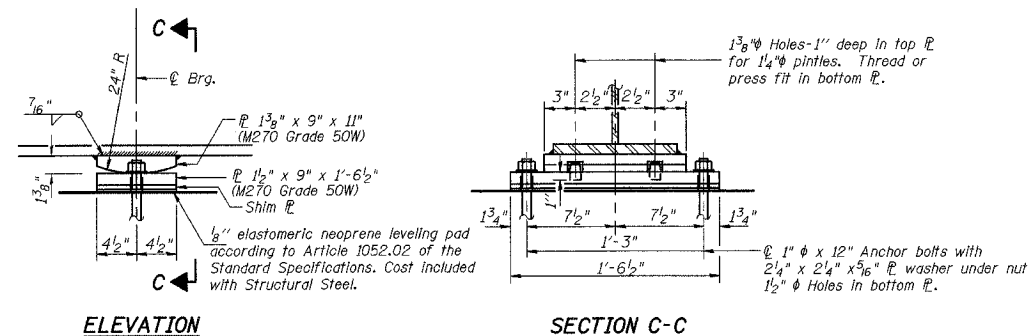
* Provide vertical slotted holes 1/8" x 1 7/8" in the North angles only at D1. Bolts shall be finger-tightened prior to the deck pour for Stage II construction and then fully tightened after completion of the deck pour for Stage II construction.



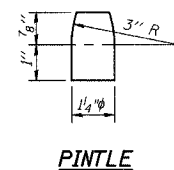
FIXED BEARING AT PIER 1
(6 Required)



PINTLE



FIXED BEARING AT PIER 2
(6 Required)



PINTLE

Note:
Work this Sheet with Sheet 8 of 18.

ILLINOIS DEPARTMENT OF TRANSPORTATION
STRUCTURAL STEEL DETAILS
ILLINOIS ROUTE 33 OVER
BIG SALT CREEK
F.A.P. ROUTE 95
SECTION 7B-1
EFFINGHAM COUNTY
STA. 146+62.50
STRUCTURE NUMBER 025-0101

DATE: OCT. 2003

DRAWN BY: MLO/NJV
CHECKED BY: PBB/SJK