

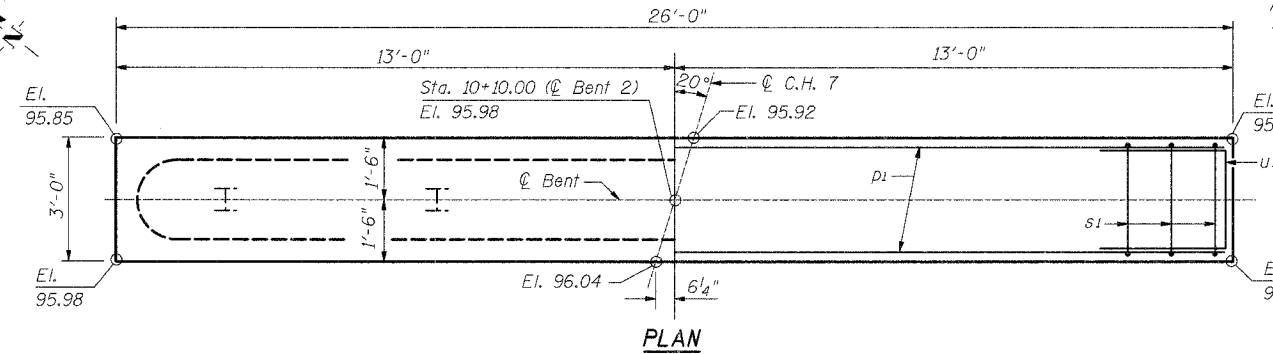
ROUTE NO.	SECTION	COUNTY	TOTAL SHEETS	SHEET NO.
CH 7	05-00259-00-BR	SHELBY	19	18
FED. ROAD DIST. NO.		ILLINOIS PROJECT		

** 1" Joint shall be packed with a non-shrink grout.
1" Dimension may Vary plus or Minus to accomodate Tolerance in Beam Lengths.

*** Dowel Rods to be grouted after beams are in place and allowed to cure (Min. 24 hours) prior to grouting Shear Keys.

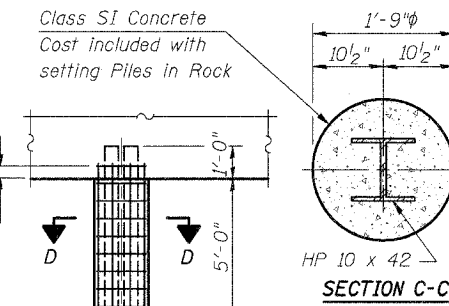
*** 3/4" φ x 1'-6" Dowel Rods in 1/4" φ holes drilled in Cap (2 Each Beam) Cost Incidental to Concrete Structures.

27" P.P.C. Beam
Grout
1"***
27" P.P.C. Beam
1/2" x 6" P.J.F. Full Width
1 - 9" x 1/2" x 2'-1" (Interior Fabric Brg. Pad) or 1 - 9" x 1/2" x 1'-0 1/2" (Exterior Fabric Brg. Pad)

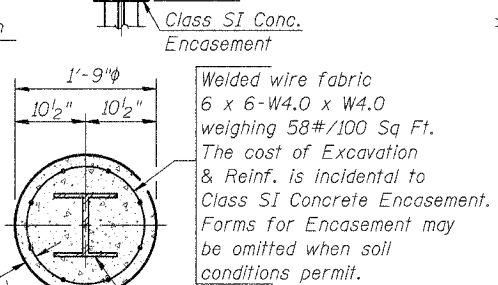


PLAN

NOTE:
All Edges shall have Standard 3/4" Chamfer except as Noted.

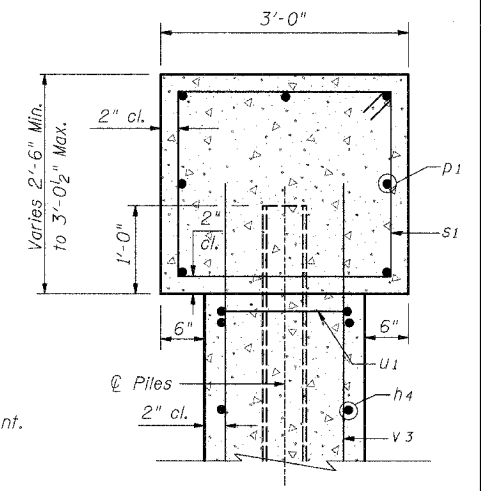


SECTION C-C

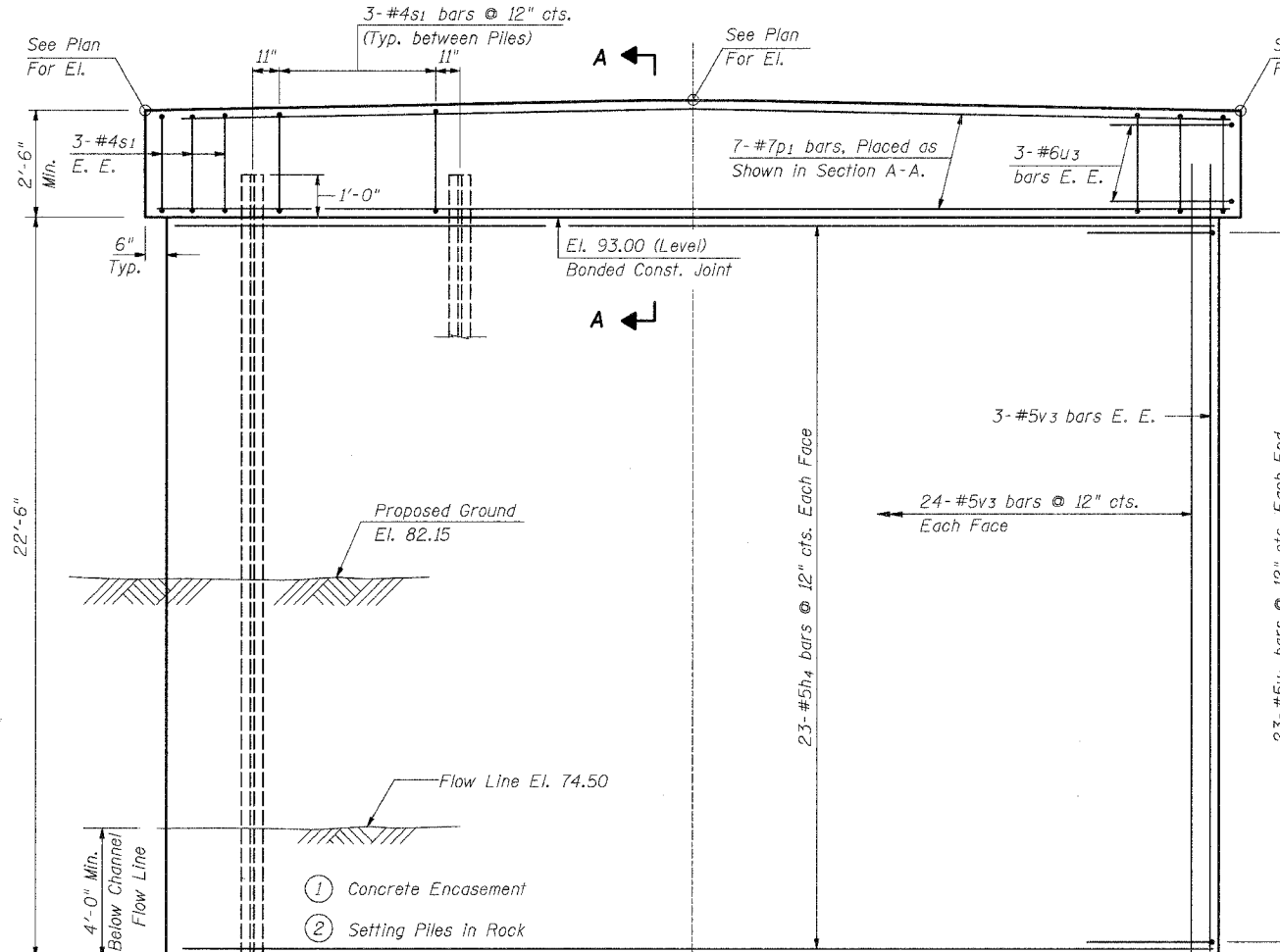


SECTION D-D

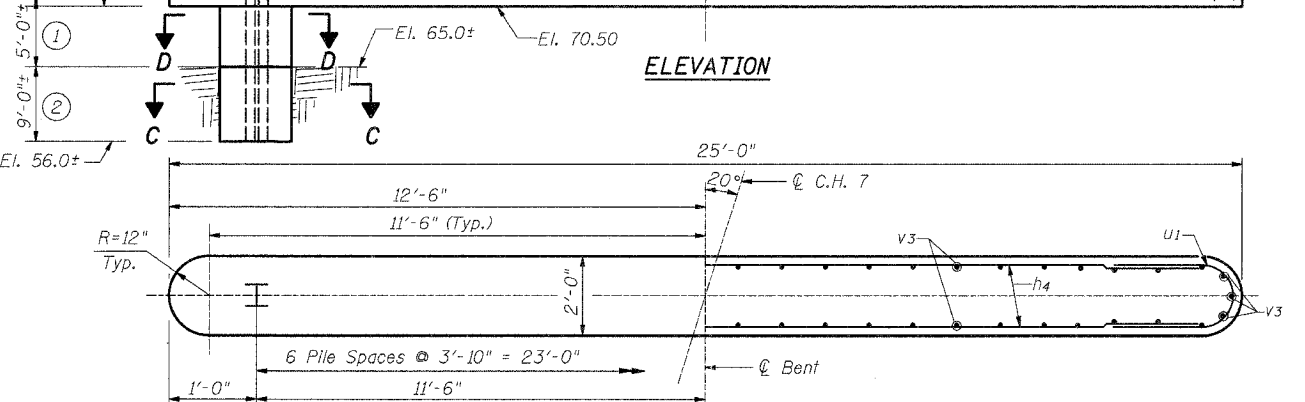
PILE ENCASEMENT DETAIL



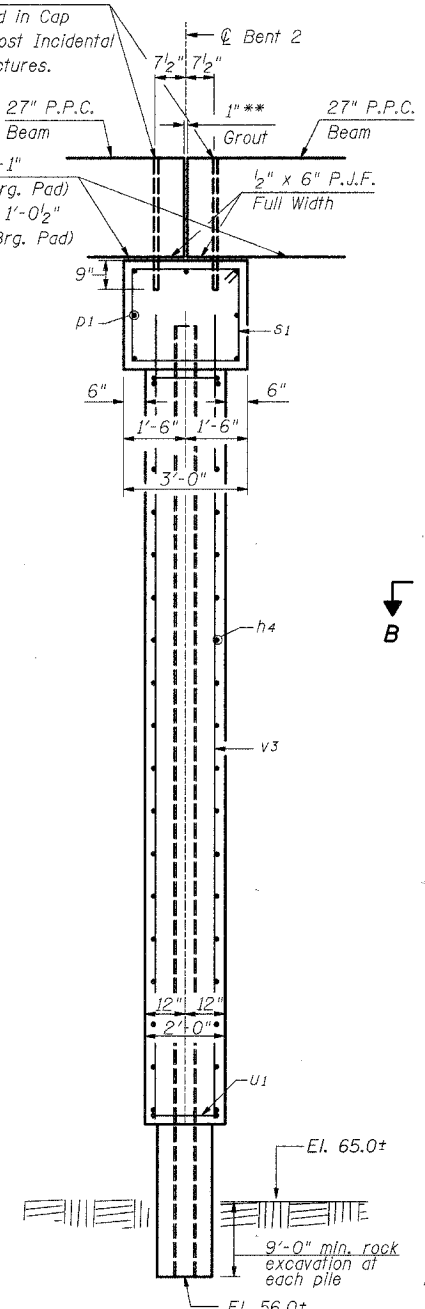
SECTION A-A



ELEVATION



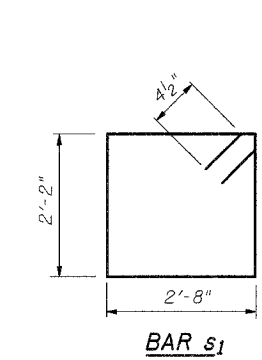
SECTION B-B



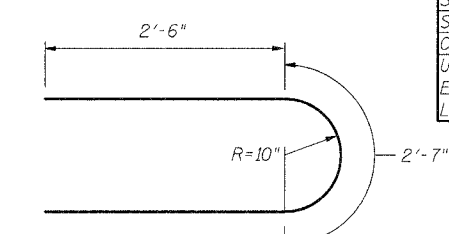
END VIEW

PILE DATA

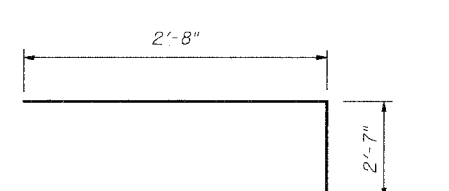
Type	=	HP 10 x 42
Capacity	=	45 Ton, Set in Rock
Estimated Length	=	37 Ft.
Number Req'd.	=	7



BAR s1



BAR u1



BAR u3

BILL OF MATERIAL

Bar	No.	Size	Length	Shape
h4	46	#5	23'-2"	—
p1	7	#7	25'-6"	—
s1	24	#4	10'-5"	□
u1	46	#5	7'-7"	U
u3	6	#6	7'-11"	U
v3	54	#5	23'-9"	—

ITEM	UNIT	QUANTITY
Reinforcement Bars	Pound	3420
Concrete Structures	Cu. Yd.	49.0
Furnishing Steel Piles, HP 10 x 42	Foot	259
Structure Excavation	Cu.Yd.	75
Setting Piles in Rock	Each	7
Concrete Encasement	Cu. Yd.	3.4
Underwater Structure Excavation Protection, Location 2	L.S.	1

BENT NO. 2 DETAILS
C.H. 7 OVER RICHLAND CREEK
SEC. 05-00259-00-BR
SHELBY COUNTY
S.N. 087-3550
STA. 9+80