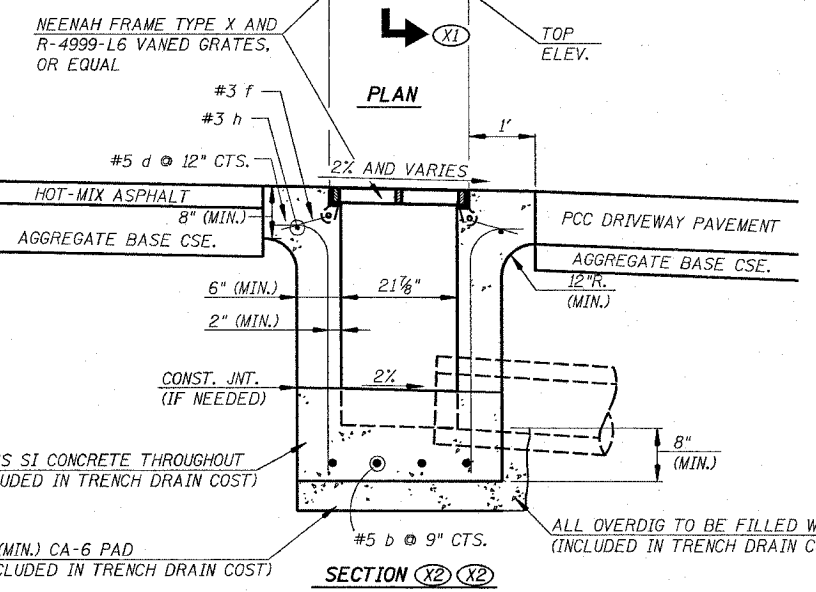
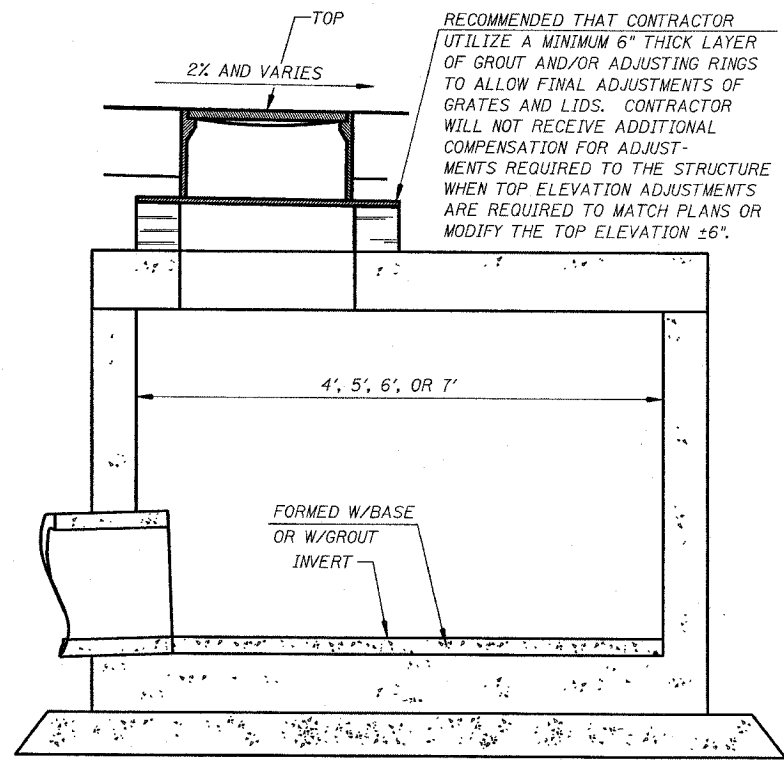
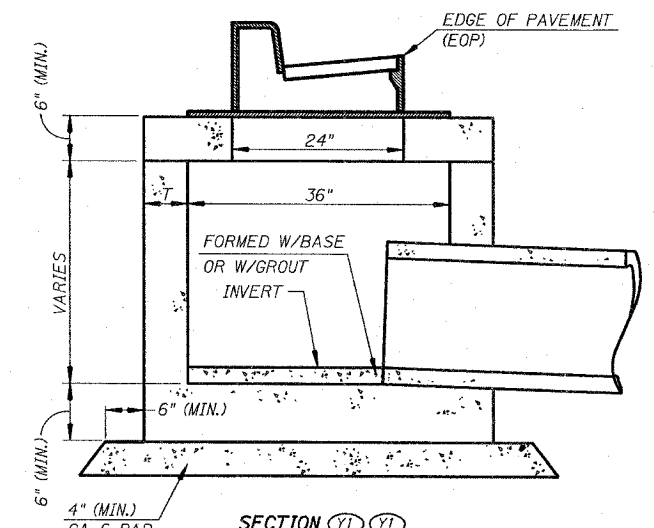
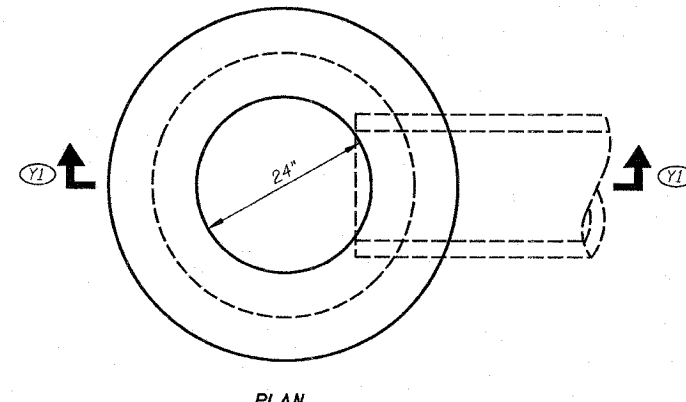
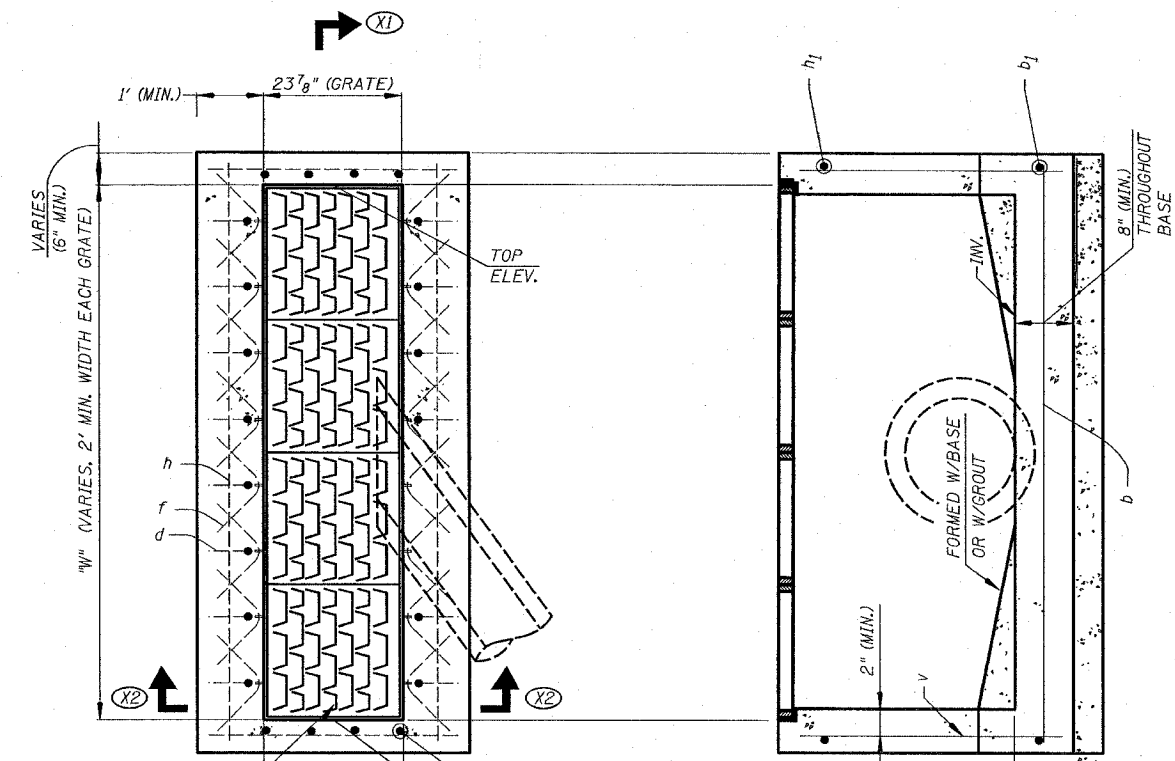


F.A. ILL. RTE.	SECTION	COUNTY	TOTAL SHEETS	SHEET NO.
8419	99-00048-01-PV	FAYETTE	142	58
STA.		TO STA.		
FED. ROAD DIST. NO.	ILLINOIS	FED. AID PROJECT		
CONTRACT NO. 95500				



SECTION XI XI

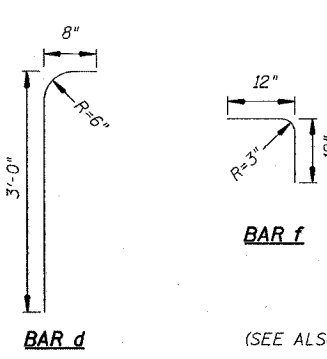
INLET, TYPE B DETAILS

RESTRICTED DEPTH MANHOLE DETAILS
(SEE ALSO APPLICABLE SECTIONS OF SECTION 602 OF THE STANDARD SPECIFICATIONS)

BILL OF MATERIAL

BAR	NO.	SIZE	LENGTH	SHAPE	
b	4	#5	8'-8"	—	
b1	2	#5	2'-8"	—	
d	14	#5	3'-6"	—	
f	16	#3	1'-11"	—	
h	2	#3	8'-2"	—	
h1	2	#3	3'-8"	—	
v	8	#5	3'-2"	—	
REINFORCEMENT BARS				POUND	141

NOTES:
COST OF REINFORCEMENT BARS TO BE INCLUDED IN COST OF TRENCH BOX.
WIRE TIE ALL BAR CROSSINGS.



TRENCH DRAIN DETAILS
(SEE ALSO MANUFACTURER'S RECOMMENDATIONS)

REVISIONS	
NAME	DATE

ILLINOIS DEPARTMENT OF TRANSPORTATION
STORM SEWER DETAILS
SCALE: VERT. HORIZ.
DATE
DRAWN BY KOJ
CHECKED BY BWC

CADD FILE: 4812/ss_details_02.dgn
PLOTTED: 3/5/2007

H.M. & G. NO. 4612