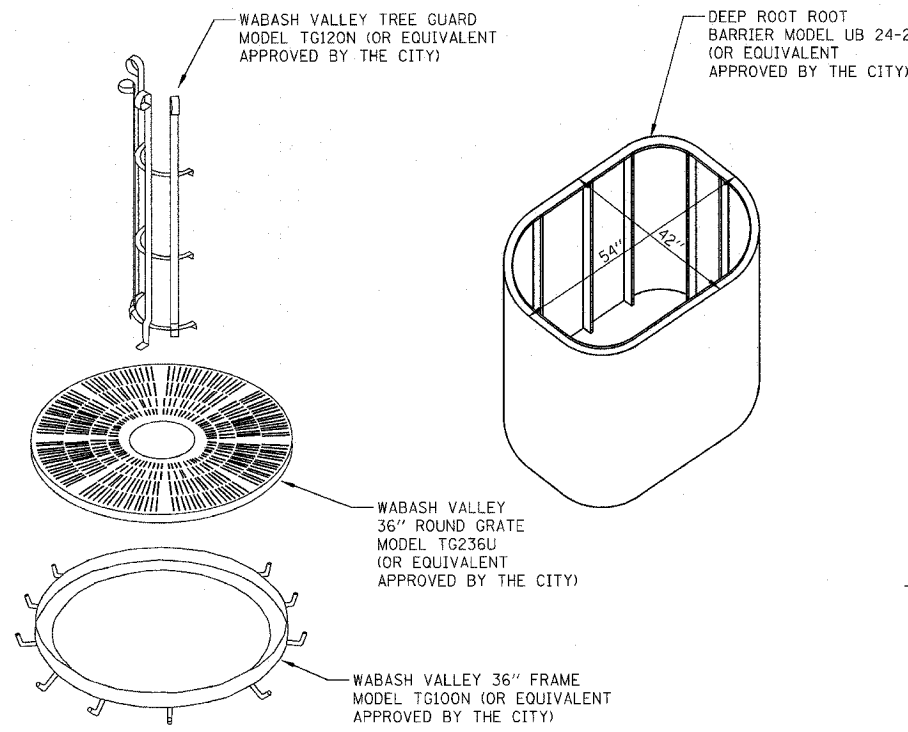
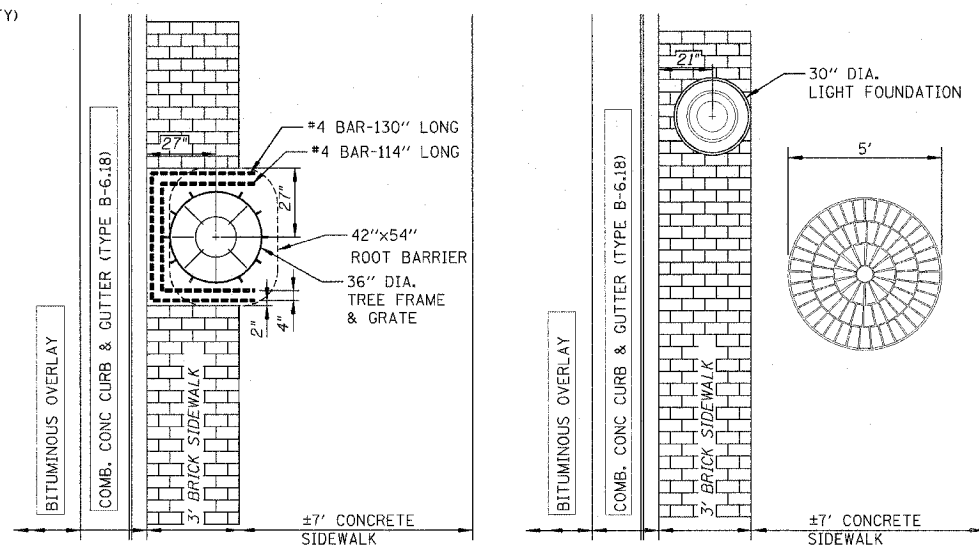


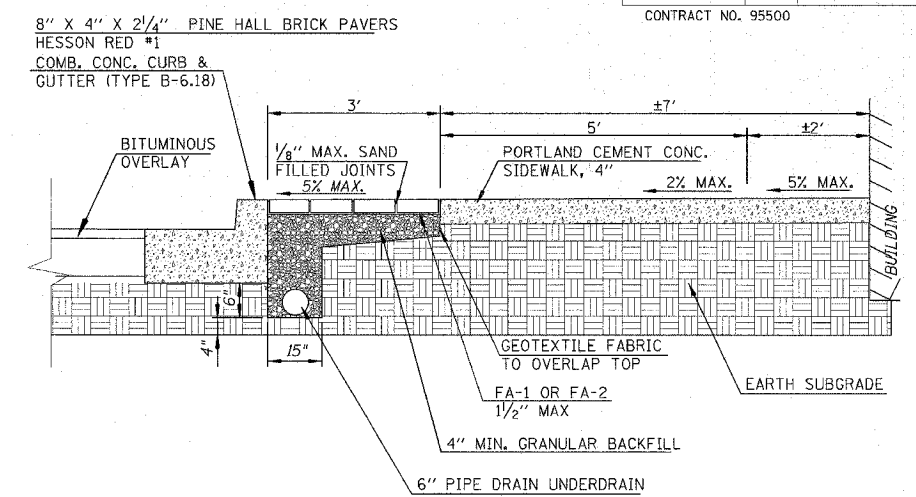
F.A.U. RTE.	SECTION	COUNTY	TOTAL SHEETS	SHEET NO.
8419	99-00048-01-PV	FAYETTE	142	91
STA.	TO STA.			
FED. ROAD DIST. NO.	ILLINOIS FED. AID PROJECT			
CONTRACT NO. 95500				



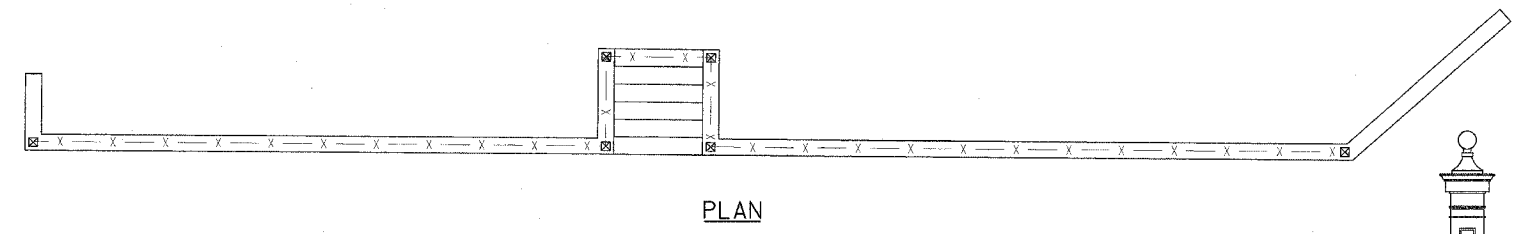
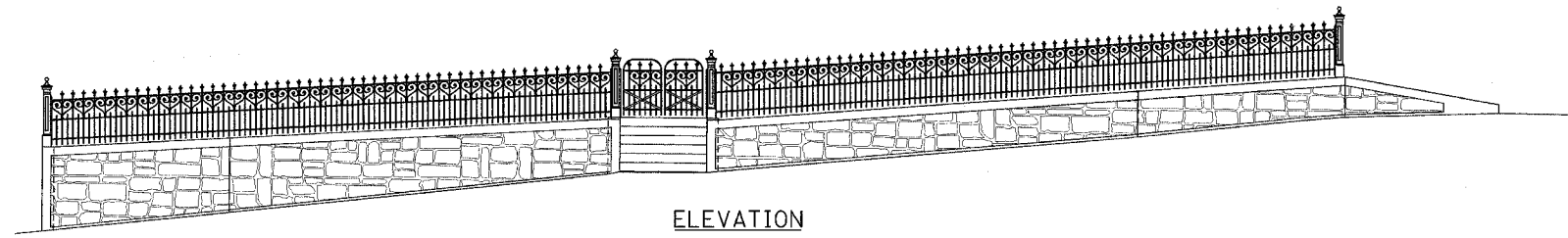
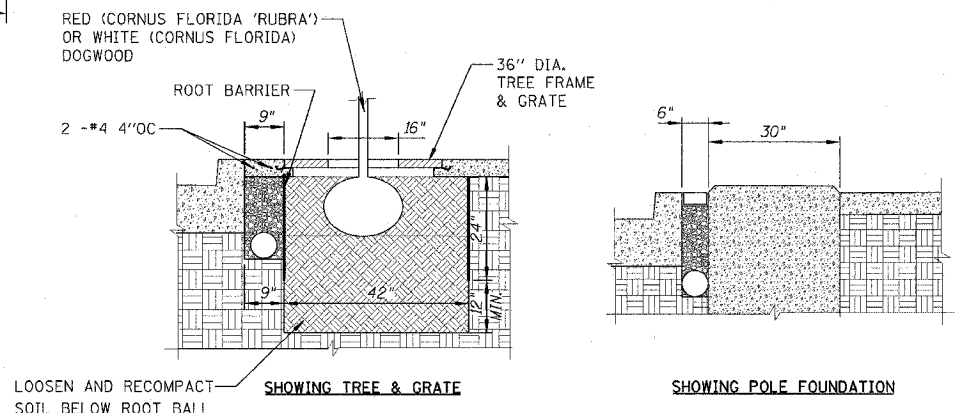
TREE GRATES, FRAMES, GUARDS, & ROOT BARRIER



SIDEWALK TYPICAL PLAN DETAIL
NOT TO SCALE

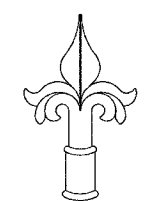


SIDEWALK TYPICAL SECTION DETAIL
NOT TO SCALE



ORNAMENTAL METAL FENCE ON RETAINING WALL

NOT TO SCALE



NOTE: STEWART IRON WORKS ORNAMENTAL PICKET TOP - STYLE E FOR 1/2" SQUARE PICKETS (OR EQUIVALENT APPROVED BY THE CITY)

ORNAMENTAL PICKET TOPS

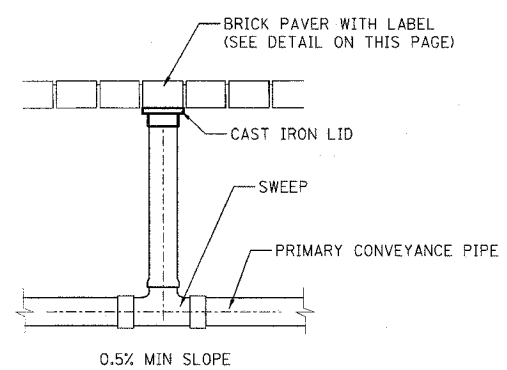
NOT TO SCALE

NOTE: STEWART IRON WORKS - 37 INCH SCROLL ORNAMENTED FENCE, DESIGN NUMBER 101S, 1/2 INCH SQUARE PICKETS, 4 INCH CENTER TO CENTER PICKET SPACING, 3 CHANNEL RAILS (1-1/4" x 1/2"), MATCHING GATES, STYLE # 11, 1 INCH SOLID TUBULAR LINE POSTS (OR EQUIVALENT APPROVED BY THE CITY)

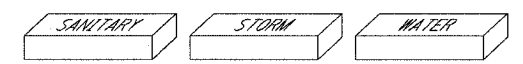
NOTE: STEWART IRON WORKS ORNAMENTAL END, CORNER AND GATE POSTS STYLE #25 (OR EQUIVALENT APPROVED BY THE CITY)

END, CORNER AND GATE POSTS

NOT TO SCALE



RISER CONNECTION DETAIL
NOT TO SCALE



NOTE: BRICK PAVERS SHALL BE EQUAL IN APPEARANCE TO HESSON RED #1 AS CONSTRUCTED IN LINCOLN PARK. SAID PAVERS WERE OBTAINED FROM HEARTLAND LANDSCAPING, INC. 406 EAST CUMBERLAND ROAD, ALTAMONT, IL 62411.

PAVERS LOCATED OVER ACCESSIBLE WATER VALVES, RISER CONNECTIONS, AND CLEANOUTS SHALL BE APPROPRIATELY ENGRAVED / STAMPED AS SHOWN. THE CONTRACTOR SHALL PROVIDE A SAMPLE OF MARKED AND REGULAR PAVERS FOR APPROVAL.

BRICK PAVER DETAILS
NOT TO SCALE

REVISIONS	
NAME	DATE
LWJ	5-09-07

ILLINOIS DEPARTMENT OF TRANSPORTATION
VANDALIA - GALLATIN STREET
DETAILS

SCALE: VERT. HORIZ.
DATE
DRAWN BY KOJ
CHECKED BY BWC

CADD FILE: 4812/DH_decorative_2.dgn
PLOTTED: 5/9/2007

H.M. & G. NO. 4812