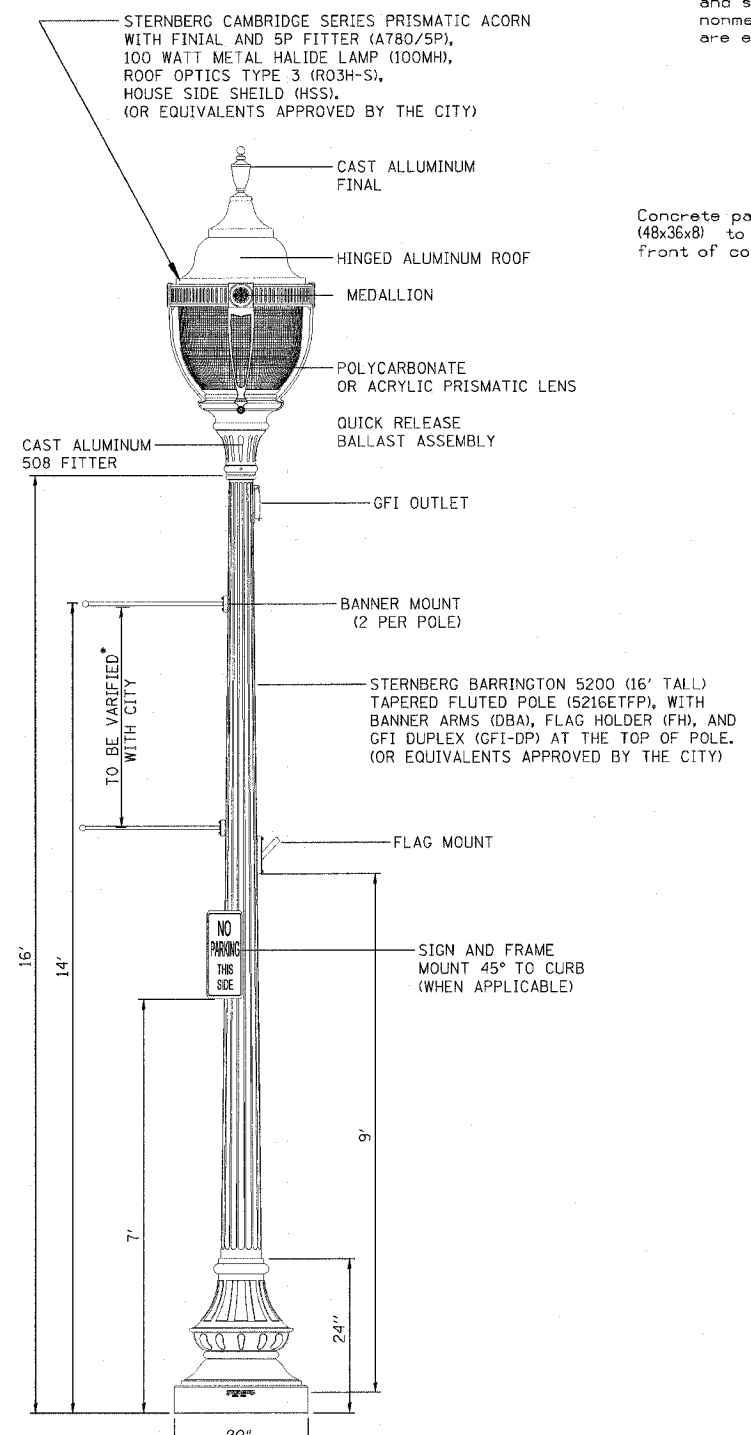
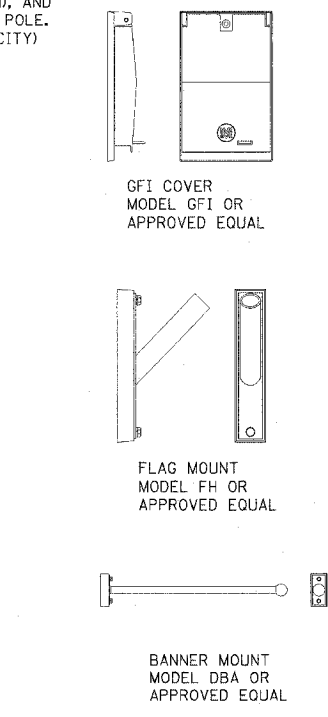
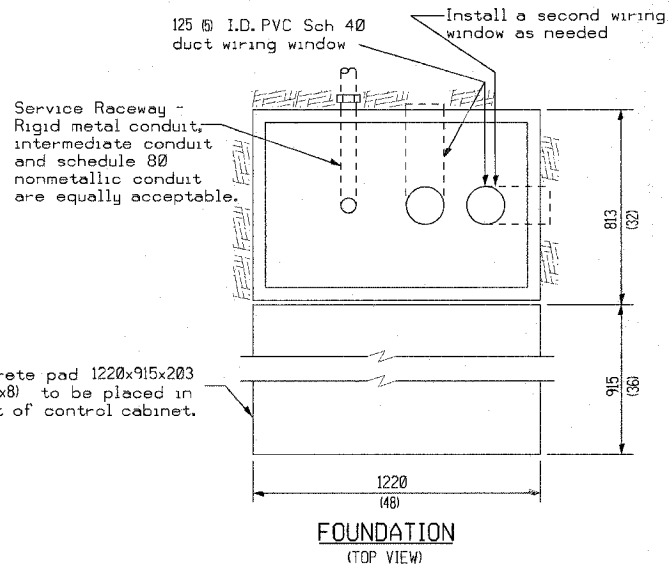


F.A.U. RTE.	SECTION	COUNTY	TOTAL SHEETS	SHEET NO.
8419	99-00048-01-PV	FAYETTE	142	98
STA.	TO STA.			
FED. ROAD DIST. NO.	ILLINOIS FED. AID PROJECT			
CONTRACT NO. 95500				

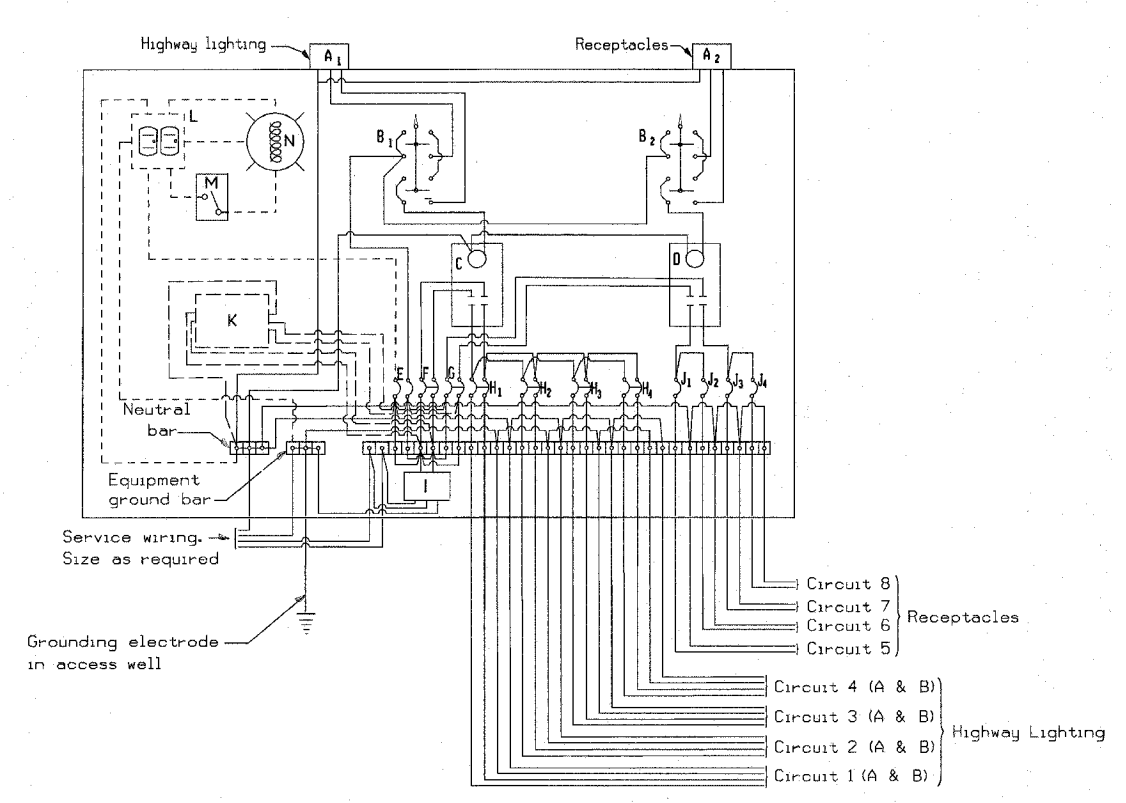


VINTAGE STYLE STREET LIGHT ON BLACK ORNAMENTAL POLE

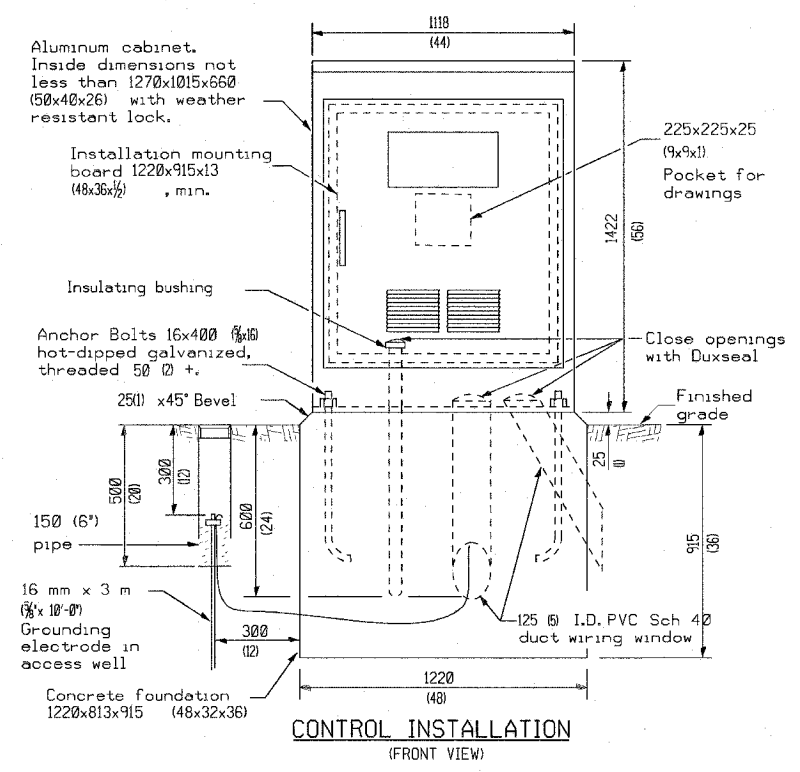
* POLE MUST BE IN ACCORDANCE WITH AASHTO LOADING REQUIREMENTS AS REFERENCED IN SEC 830 OF THE STANDARD SPECIFICATIONS



LIGHT POLE ACCESSORIES



LIGHTING CONTROLLER SCHEMATIC



CONTROL INSTALLATION (FRONT VIEW)

GENERAL NOTES

Wiring shall be panel board fashion. All bends shall be right angles. All runs shall be vertical or parallel to panel board. Wires shall be grouped or baced.

All control installation components shall be U.L. listed.

Label equipment ground and neutral.

The underground service entrance wiring shall not exceed 46 m (150'). Total aerial and underground service between the control installation and primary transformer shall not exceed 76 m (250').

Raceways shall terminate 75 (3) above top of concrete foundation.

For 480 V service, a step down transformer (dashed lines) is required.

Two (2) spare branch breakers are required but are not shown.

All dimensions are in millimeters (inches) unless otherwise shown.

REVISIONS	
NAME	DATE
DLD	4-13-07
DLD	5-09-07

ILLINOIS DEPARTMENT OF TRANSPORTATION	
LIGHTING DETAILS	
SCALE: VERT. HORIZ.	DRAWN BY KOJ
DATE	CHECKED BY BWC

CADD FILE: 4812.DLL LightingA.dgn
PLOTTED: 5/9/2007

H.M. & G. NO. 4812