

RTE.	SECTION	COUNTY	TOTAL SHEETS	SHEET NO.
T.R. 140	*	SHELBY	10	7
PROJECT BROS-173(150)				

* 05-09119-00-BR

NOTES

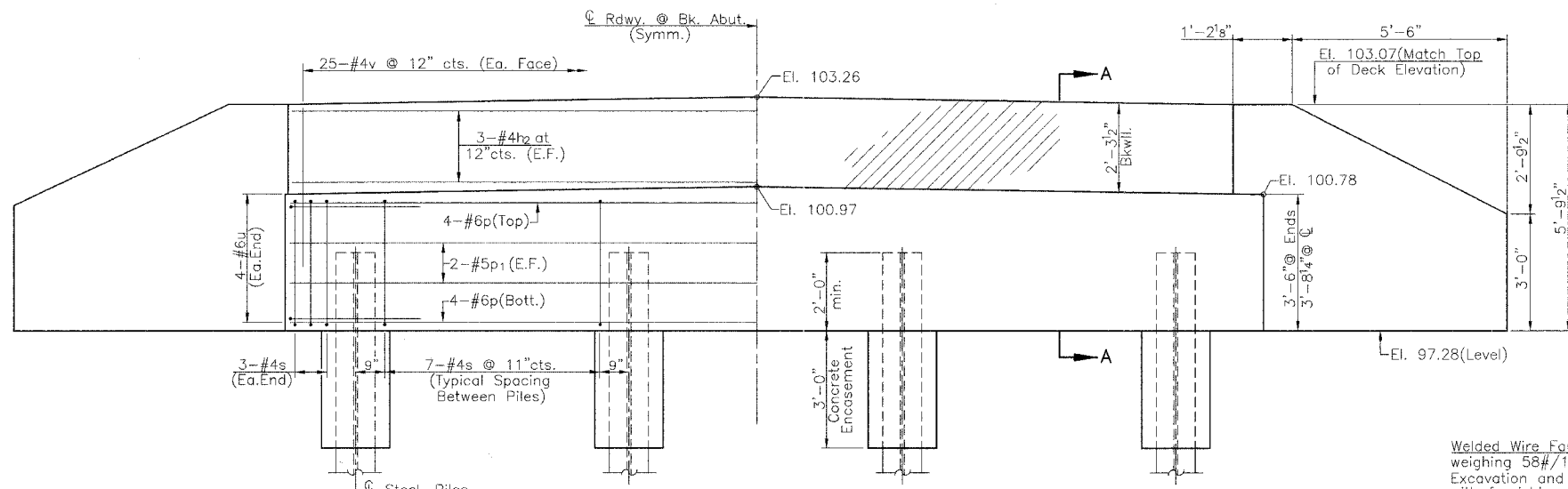
All exposed edges shall have standard 3/4" chamfer.
 Space reinforcement in cap to miss beam anchor dowels.
 Wingwalls and Backwalls may, at the contractor's option, be cast monolithically.

PILE DATA

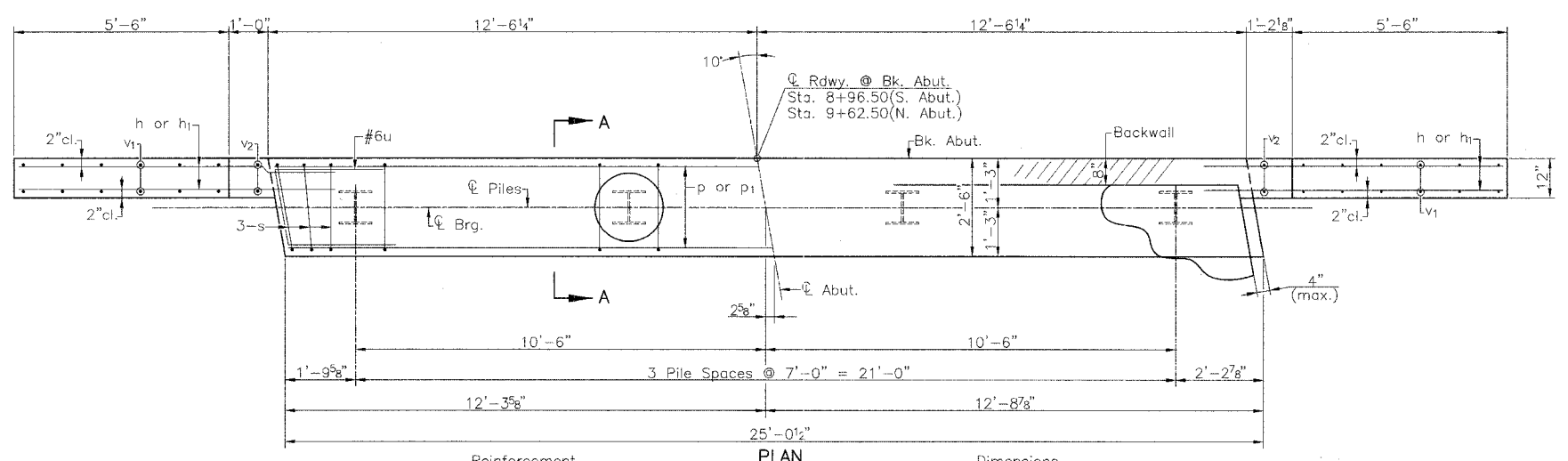
	S. Abut.	N. Abut.
Pile Type & Size:	Steel HP 10x42	Steel HP 10x42
Nominal Required Bearing:	335 kips	335 kips
Allowable Resistance Available:	111 kips	111 kips
Estimated Pile Length:	39'	39'
Number of Production:	3	3
Number of Test Piles:	1	1

The steel H-piles shall be according to AASHTO M270 Grade 50. The test piles shall be driven to 110 percent of the nominal required bearing indicated in the pile data information.

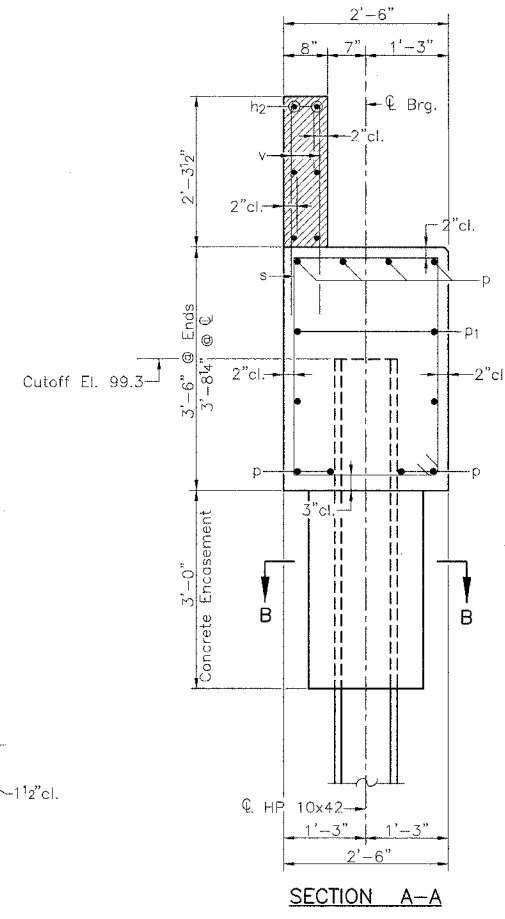
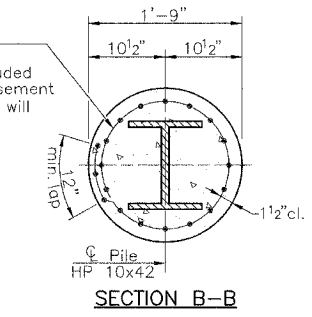
Note: Hatched area and wingwalls shall be poured after deck beams are anchored in place. Concrete quantity included in Concrete Structures.



ELEVATION
 (S. Abut. Looking South)
 (N. Abut. Looking North)



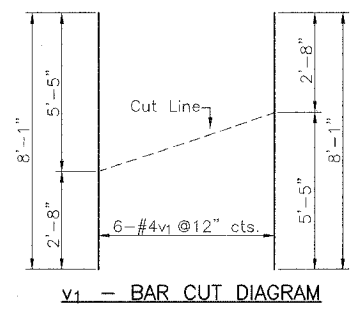
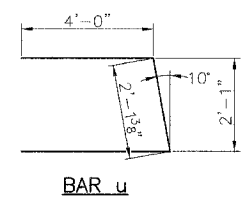
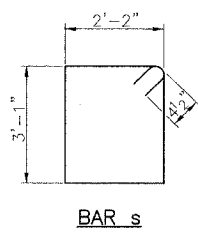
PLAN



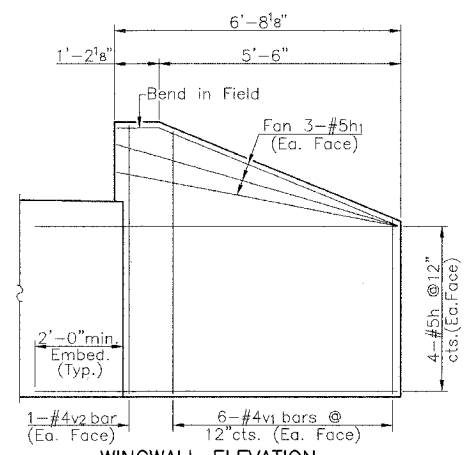
Welded Wire Fabric 6x6-W4.0 x W4.0 weighing 58#/100 sq.ft. The cost of Excavation and Reinforcement is included with furnishing piles. Forms for encasement may be omitted when soil conditions will permit. Extend 9" min. into cap.

**TWO ABUTMENTS
 BILL OF MATERIAL**

BAR	NO.	SIZE	LENGTH	SHAPE	
h	32	#5	8'-6"	—	
h1	24	#5	6'-4"	—	
h2	12	#4	27'-0"	—	
p	16	#6	24'-8"	—	
p1	8	#5	24'-8"	—	
s	54	#4	11'-3"	□	
u	16	#6	10'-2"	—	
v	100	#4	3'-9"	—	
v1	24	#4	8'-1"	—	
v2	8	#4	5'-5"	—	
Concrete Structures				Cu. Yd.	24.2
Reinforcement Bars				Pound	2510
Furnishing Steel Piles HP 10x42				Foot	234
Driving Piles				Foot	234
Test Pile, Steel HP 10x42				Each	2
Concrete Encasement				Cu. Yd.	2.2
Structure Excavation				Cu. Yd.	70



Order v1 bars full length: Layout in field according to diagram. Cut v1 bars along cut line. Use remainder of each bar in opposite face.



WINGWALL ELEVATION
 (Showing Reinforcement)
 * See v1-bar cut diagram

**ABUTMENTS
 T.R. 140 OVER MITCHELL CREEK
 SECTION 05-09119-00-BR
 SHELBY COUNTY**