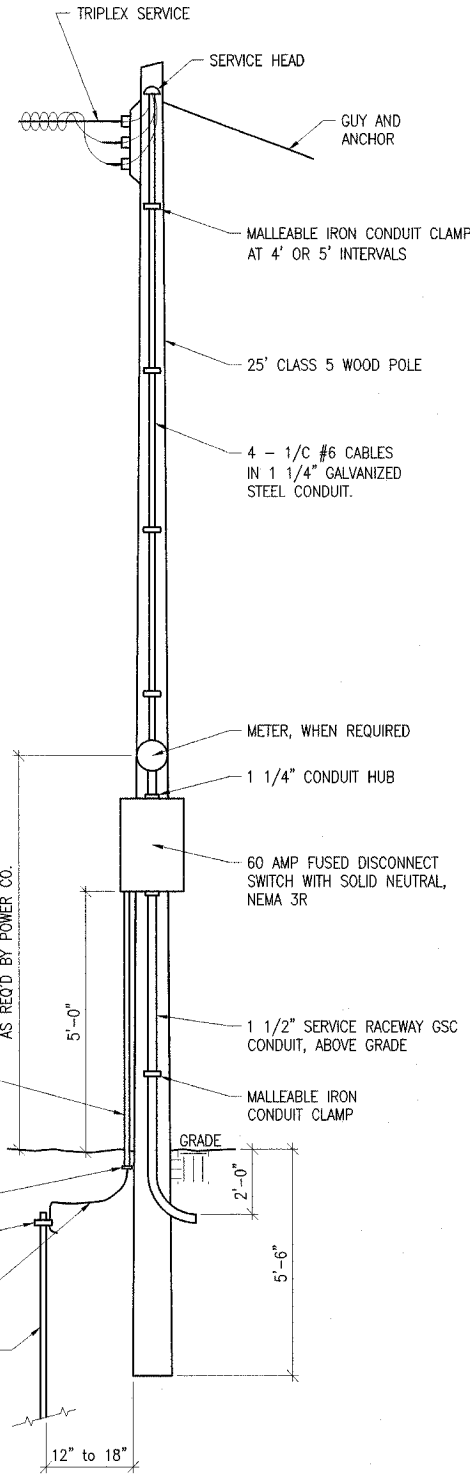
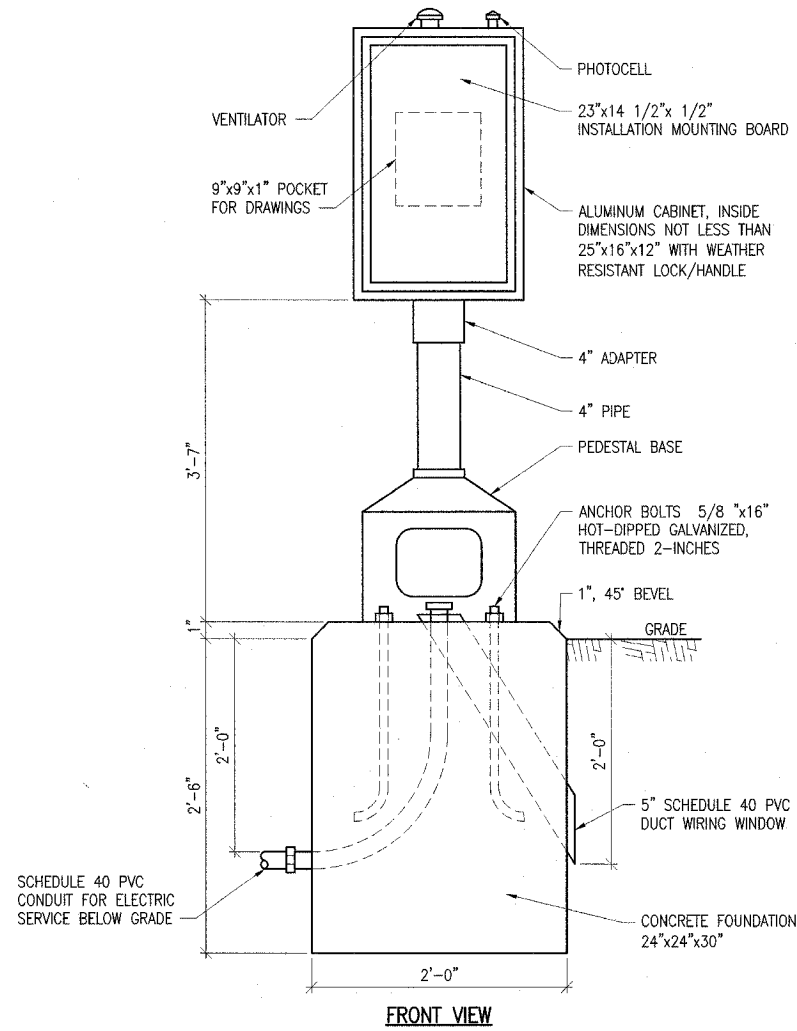


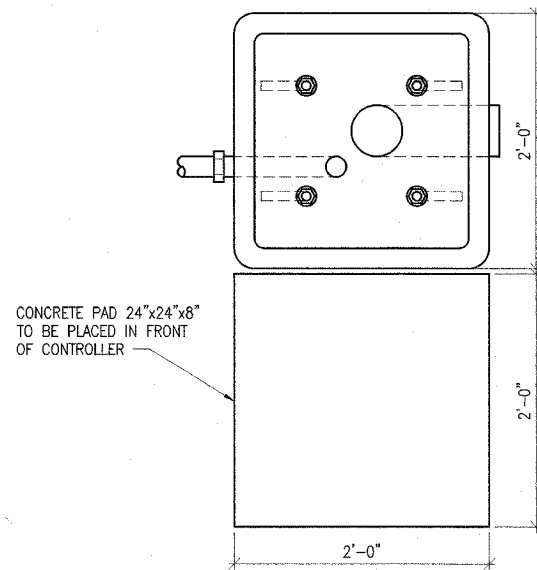
ROUTE NO.	SECTION	COUNTY	TOTAL SHEETS	SHEET NO.
FAU-6966	06-00208-02-BR	MADISON	61	40
FED. ROAD DIST. NO.	PROJECT			



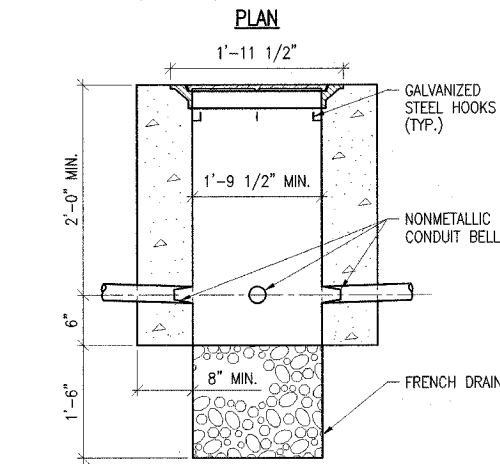
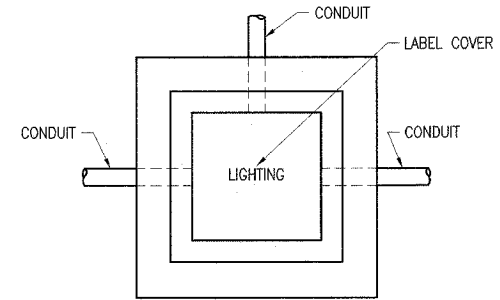
SERVICE POLE DETAIL
SCALE: NONE



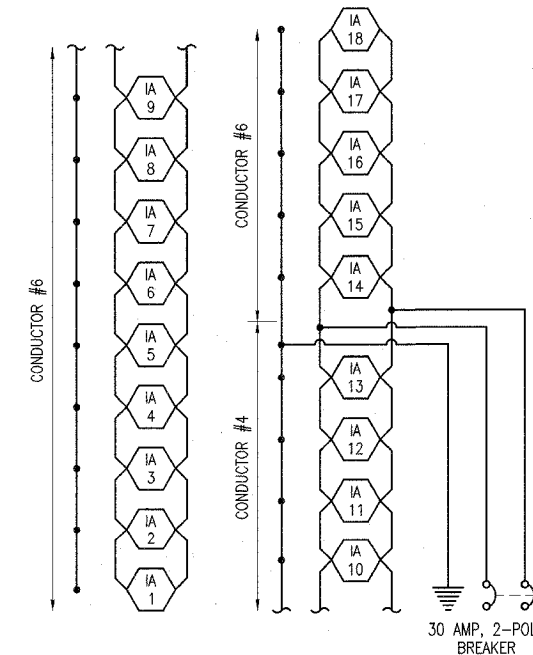
CONTROL INSTALLATION DETAIL
SCALE: NONE



FOUNDATION DETAIL
SCALE: NONE

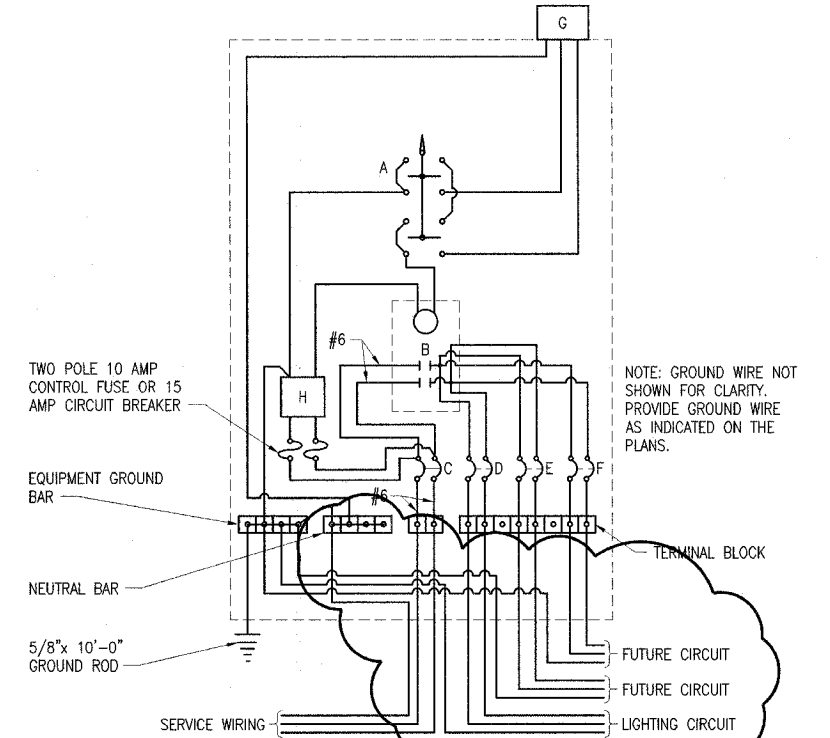


CONCRETE HANDHOLE
SCALE: NONE



CIRCUIT DIAGRAM
SCALE: NONE

- A SELECTOR SWITCH - HAND/OFF/AUTO
- B 2 POLE, 60 AMP CONTACTOR, ELEC. OPER., ELEC. HELD
- C 2 POLE, 60 AMP SERVICE DISCONNECT
- D,E,F 2 POLE, 30 AMP CIRCUIT BREAKERS
- G PHOTOCELL WITH INTEGRAL SURGE ARRESTOR
- H CONTROL TRANSFORMER 480-120V



LOCATE SERVICE POLE AND CONTROL INSTALLATION ADJACENT TO R.O.W. LINE WITH A MINIMUM DISTANCE OF 30' FROM THE EDGE OF PAVEMENT. EXACT LOCATION SHALL BE ESTABLISHED BY THE ENGINEER.

THE UNDERGROUND SERVICE ENTRANCE WIRING SHALL NOT EXCEED 150'. TOTAL AERIAL AND UNDERGROUND SERVICE BETWEEN THE CONTROL INSTALLATION AND PRIMARY TRANSFORMER SHALL NOT EXCEED 250'.

480V SERVICE WIRING DIAGRAM
SCALE: NONE

INDIANA AVENUE EXTENSION CITY OF ALTON, IL ROADWAY LIGHTING CONTROLLER DETAILS		
LAYOUT: PJT	 <small>Hanson Professional Services Inc. 1525 South Sixth Street Springfield, Illinois 62703-2886 ILLINOIS LICENSED PROFESSIONAL SERVICES CORPORATION #184-001084</small>	JOB NO: 95510081
DRAWN: ANC		DATE: 08-16-06
REVIEWED: PJT		
L-5		