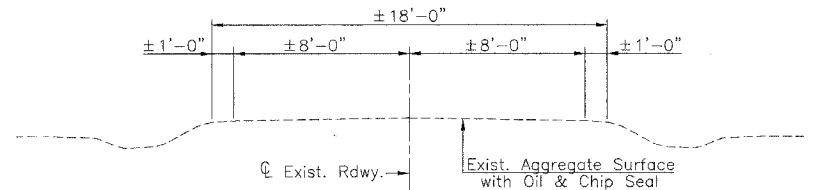


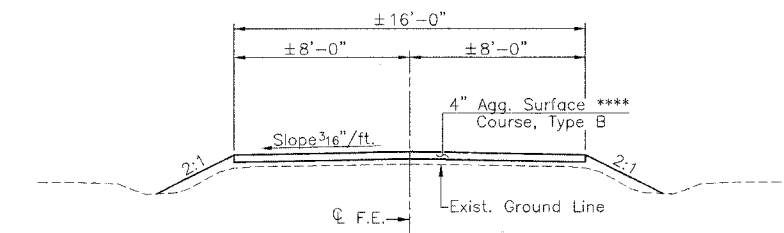
PROPOSED CROSS SECTION
(Sta. 8+90 to Sta. 10+12 & Sta. 10+66 to Sta. 12+10)

** 3:1 < 6'
2:1 ≥ 6' or at Guardrail Locations
*** 3:1 < 10'
2:1 ≥ 10'

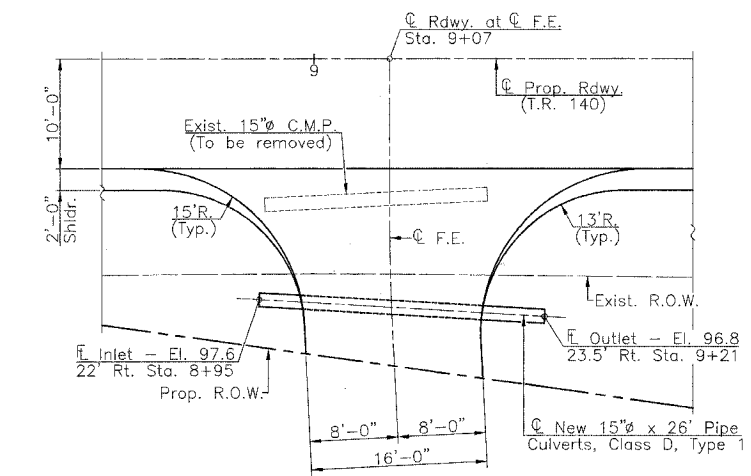
Aggregate Surface Course, Type B - Estimated Quantity 548 Tons to be placed by County Forces.



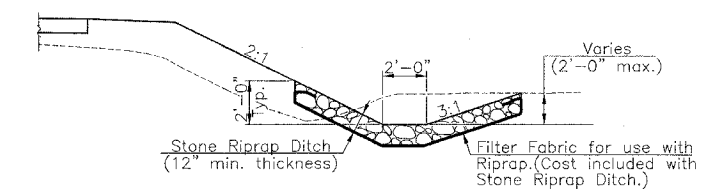
EXISTING CROSS SECTION



TYPICAL FIELD ENTRANCE
(Sta. 9+07 Rt., Sta. 9+52 Lt. & Sta. 11+07 Rt.)



PLAN
(F.E. Sta. 9+07 Rt.)

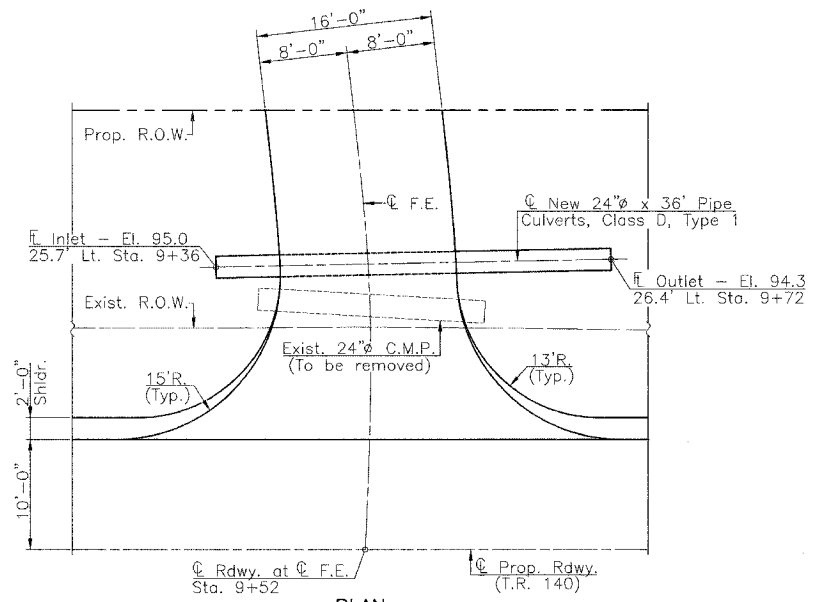


STONE RIPRAP DITCH DETAIL

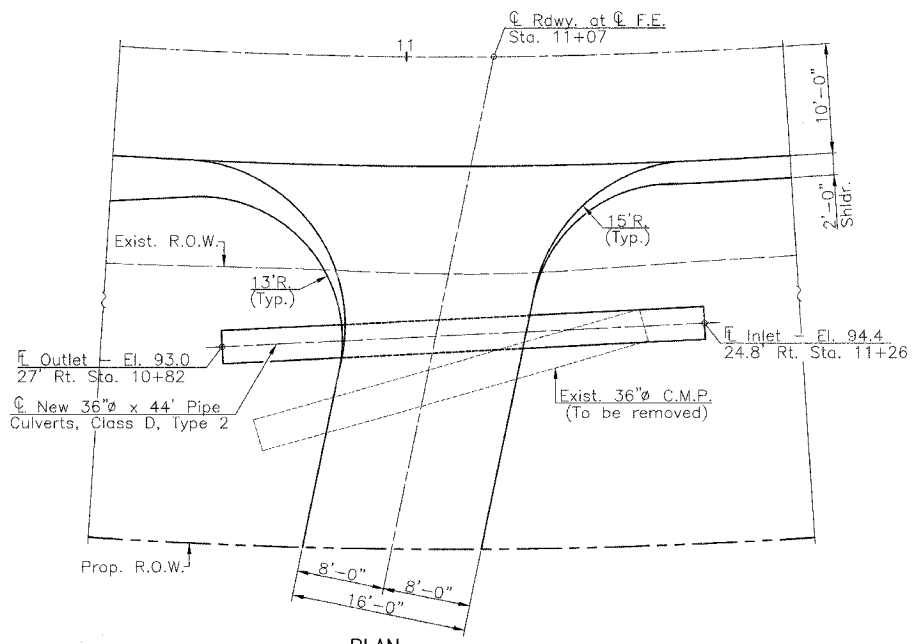
EARTHWORK SCHEDULE

Location	Earth Excavation	Earth Excavation Adjusted For Shrinkage	Embankment	Earthwork Balance Waste (+) or Shortage (-)
	Cubic Yard	Cubic Yard	Cubic Yard	Cubic Yard
Sta. 8+50 to Sta. 9+00	38	29	28	+1
Sta. 9+00 to Sta. 10+00	87	65	168	-103
Sta. 10+00 to Sta. 10+12	3	2	23	-21
Bridge Omission - Sta. 10+12 to Sta. 10+66	-	-	-	-
Sta. 10+66 to Sta. 10+96.50	67	50	42	+8
Sta. 10+96.50 to Sta. 12+00	134	101	99	+2
Sta. 12.00 to Sta. 12+50	10	7	13	-6
Total	339	254	373	-119 *

* Excess Channel Excavation of 119 cu. yds. will be used from Sta. 8+50 to Sta. 10+12. No Furnished Excavation will be required.



PLAN
(F.E. Sta. 9+52 Lt.)



PLAN
(F.E. Sta. 11+07 Rt.)

SUMMARY OF QUANTITIES

CODE NO.	Item	Unit	Quantity
20100110	Tree Removal (6 to 15 Units Diameter)	Unit	135
20100210	Tree Removal (Over 15 Units Diameter)	Unit	108
20200100	Earth Excavation	Cu. Yd.	339
20300100	Channel Excavation	Cu. Yd.	338
25001000	Seeding Class 2 (Special)	Acre	0.40
28100807	Stone Dumped Riprap, Class A4	Ton	297
28102600	Stone Riprap Ditch	Ton	116
28200200	Filter Fabric	Sq. Yd.	512
50100100	Removal of Existing Structures	Each	1
50200100	Structure Excavation	Cu. Yd.	102
50300225	Concrete Structures	Cu. Yd.	34.0
50300280	Concrete Encasement	Cu. Yd.	2.2
50400405	Precast Prestressed Concrete Deck Beams (21" Depth)	Sq. Ft.	1421
50800105	Reinforcement Bars	Pound	3190
50900205	Steel Railing, Type S1	Foot	108
51201400	Furnishing Steel Piles HP10X42	Foot	91
51202305	Driving Piles	Foot	91
51203400	Test Pile Steel HP10X42	Each	1
51500100	Name Plates	Each	1
542D0220	Pipe Culverts, Class D, Type 1 15"	Foot	26
542D0229	Pipe Culverts, Class D, Type 1 24"	Foot	36
542D1081	Pipe Culverts, Class D, Type 2 36"	Foot	44
63100075	Traffic Barrier Terminal, Type 5A	Each	2
63100169	Traffic Barrier Terminal Type 1, Special (Flared)	Each	2
67100100	Mobilization	L. Sum	1
70101830	Traffic Control And Protection, Standard BLR 21	L. Sum	1
78201000	Terminal Marker - Direct Applied	Each	4

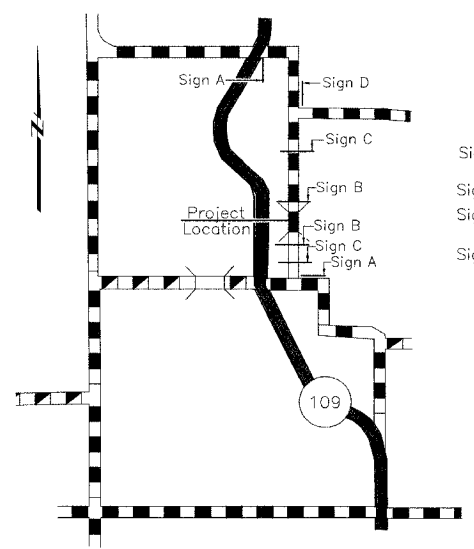
GENERAL NOTES

Where section or subsection stones are encountered, the Engineer shall be notified before such stones are removed. The contractor shall protect and preserve all property markers and monuments until the owner, authorized surveyor, or agent has witnessed or referenced their location.

Seeding: Fertilizer nutrients shall be applied at a ratio of 1:1:1 and at a rate of 90 pounds per acre per nutrient.

Mulch and Agricultural Grade Limestone shall be applied at the rate of 2 tons per acre.

Areas to be seeded shall consist of all disturbed earth surfaces within the right-of-way as directed by the Engineer.



BARRICADE LOCATION PLAN
(Refer to Highway Standards 702001 & BLR 21)

- Legend**
- Sign A - "Road Closed Ahead" W20-3(0) 4848
 - Sign B - BLR Standard 21
 - Sign C - "Road Closed 500 Feet" W20-3(0) 4848
 - Sign D - "Road Closed Ahead" with M4-9L 3024

**SUMMARY OF QUANTITIES
DETAILS & TYPICAL SECTIONS
T.R. 140 OVER BRANCH OF
LITTLE PIASA CREEK
SECTION 05-05112-00-BR
JERSEY COUNTY**