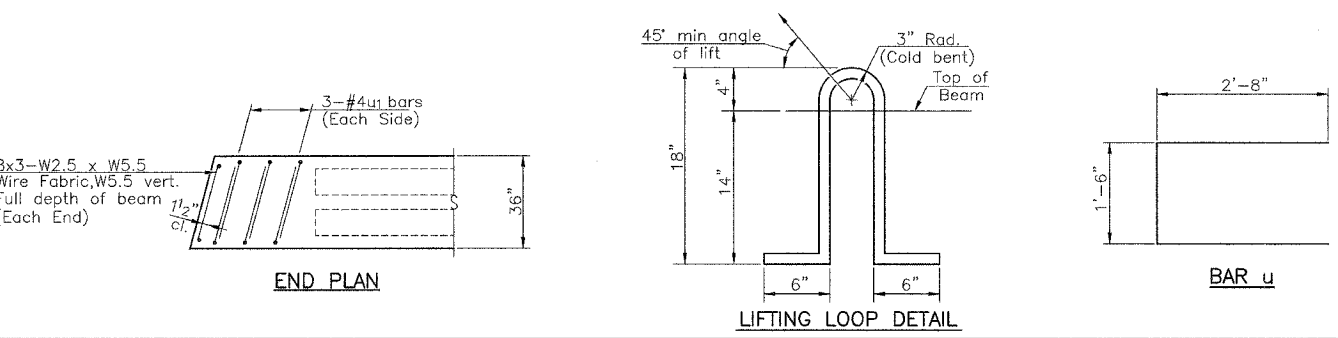
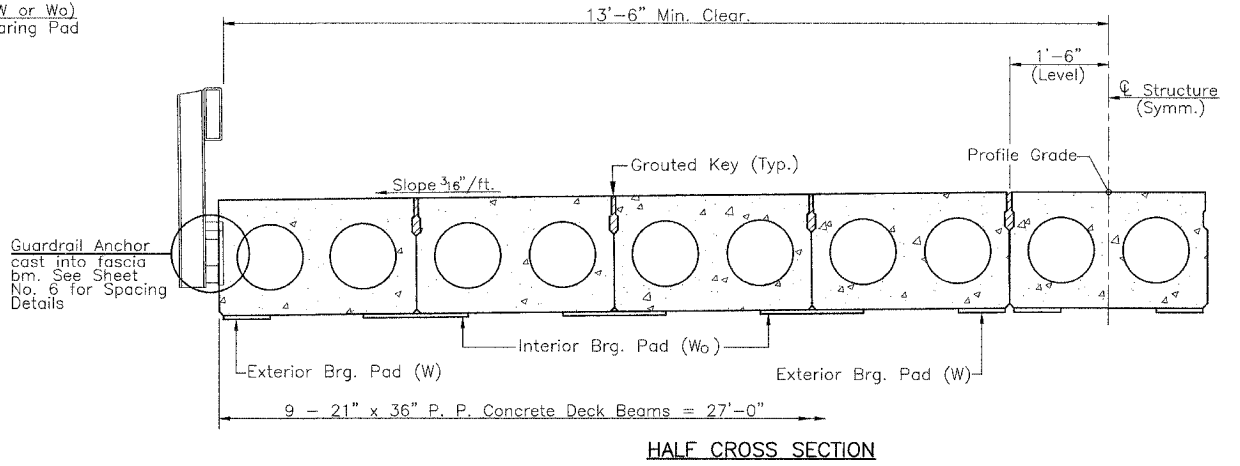
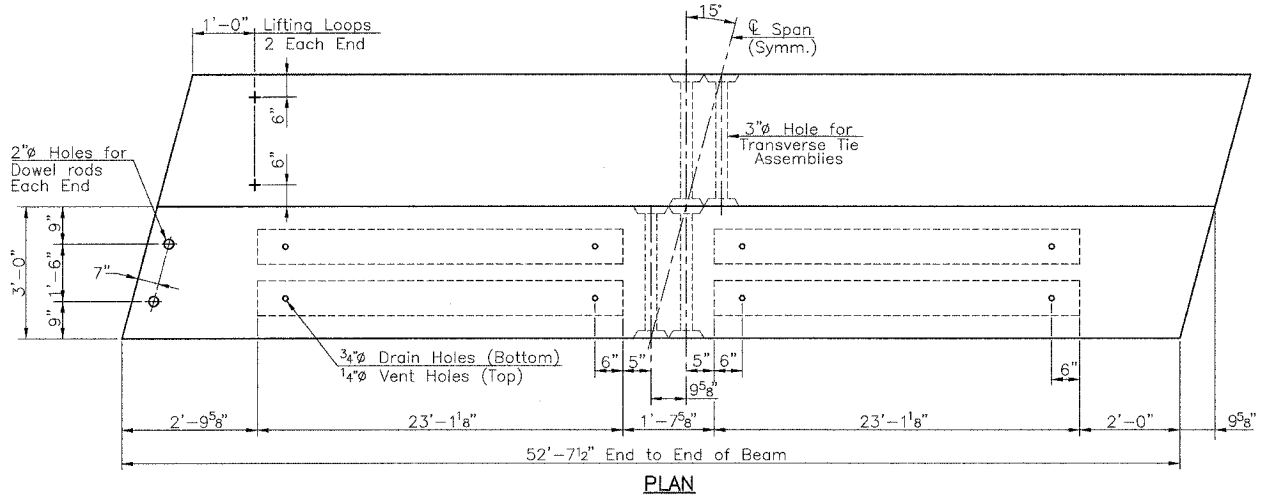
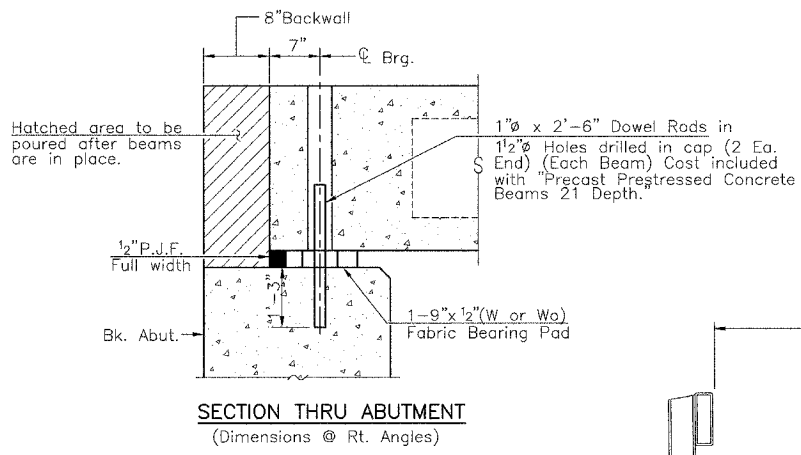
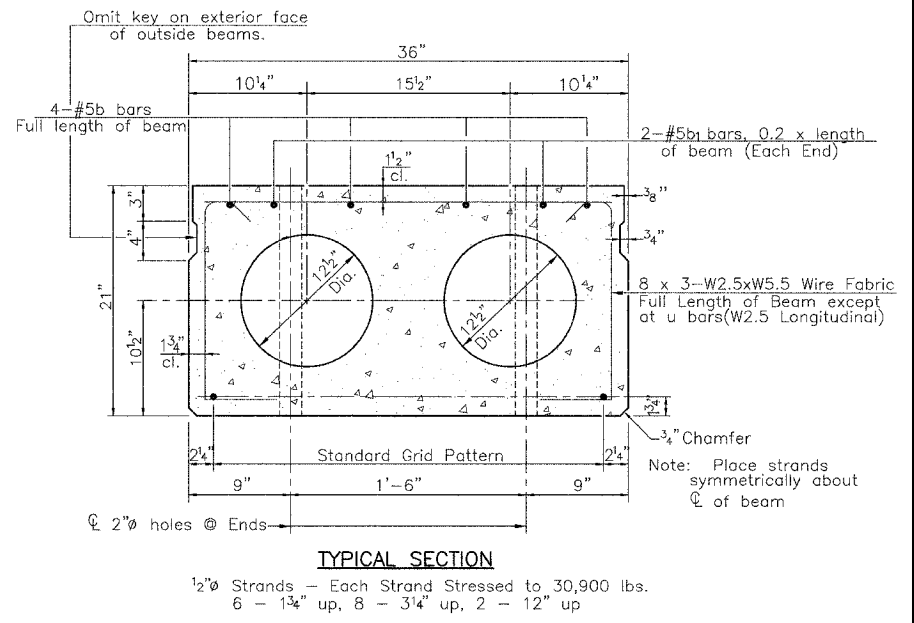
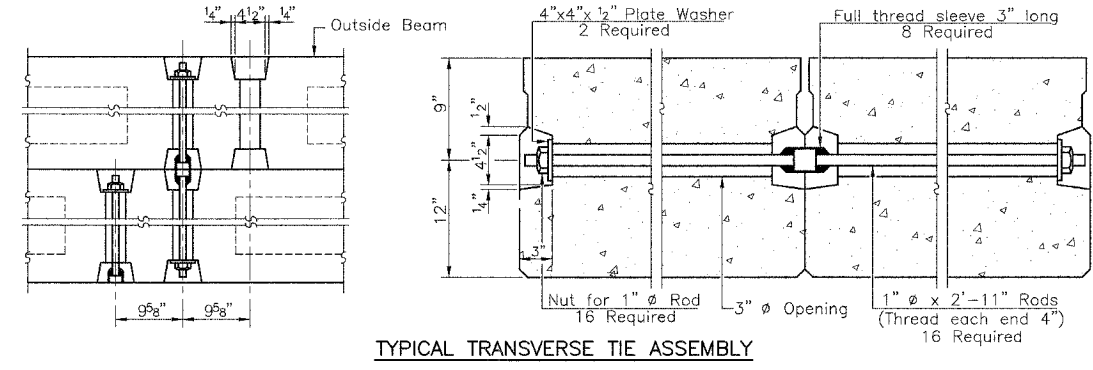
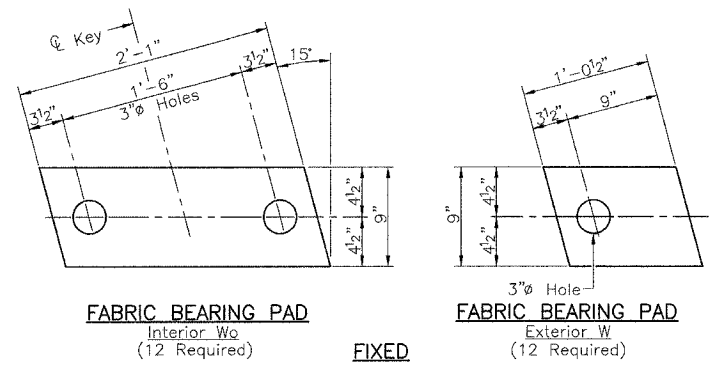


RTE.	SECTION	COUNTY	TOTAL SHEETS	SHEET NO.
T.R.140	*	JERSEY	8	5
PROJECT BROS-083(039)				

* 05-05112-00-BR
CONTRACT NO. 97292



NOTES

After beams have been erected, holes shall be drilled into substructure and anchor dowels placed. Dowel holes shall be filled with non-shrink grout to top of beam and allowed to cure min. 24 hours prior to the shear keys.

Prestressing steel shall be uncoated high strength, low relaxation 7-wire strand, Grade 270.

The nominal diameter shall be 1/2" and the nominal cross-sectional area shall be 0.153 sq. in.

Lifting loops shall be 2 - 1/2" -270 ksi strands as shown.

The 1" rods in the Transverse Tie Assembly shall be tightened to a snug fit and the threads set. Pockets that receive transverse tie bar on outside shall be filled with grout after transverse tie assembly is in place.

Non-prestressing steel shall conform to AASHTO M-31 or M-322 Grade 60.

The bearing seat surfaces shall be adjusted by shimming to assure firm and even bearing. Two 1" fabric adjusting shims of the dimensions of the Exterior Bearing Pad shall be provided for each bearing.

Keyway surfaces shall be cleaned to remove form oil or other bond breaking material prior to shipment of the beams. Cleaning shall be done by sandblasting the keyway areas between top of the beams and the bottom edge of the key.

A corrosion inhibitor shall be used in the concrete for the precast, prestressed concrete deck beams, according to Article 1020.05(b)(12) of the Standard Specifications.

Required Release Strength, f'ci, shall be 4000 p.s.i.

BILL OF MATERIAL

BAR	NO.	SIZE	LENGTH	SHAPE
Precast Prestressed Concrete Deck Beams (21")			Sq. Ft.	1421

SUPERSTRUCTURE
T.R. 140 OVER BRANCH OF
LITTLE PIASA CREEK
SECTION 05-05112-00-BR
JERSEY COUNTY

FILE NAME: JC140B.M (REV. 12/17/00)