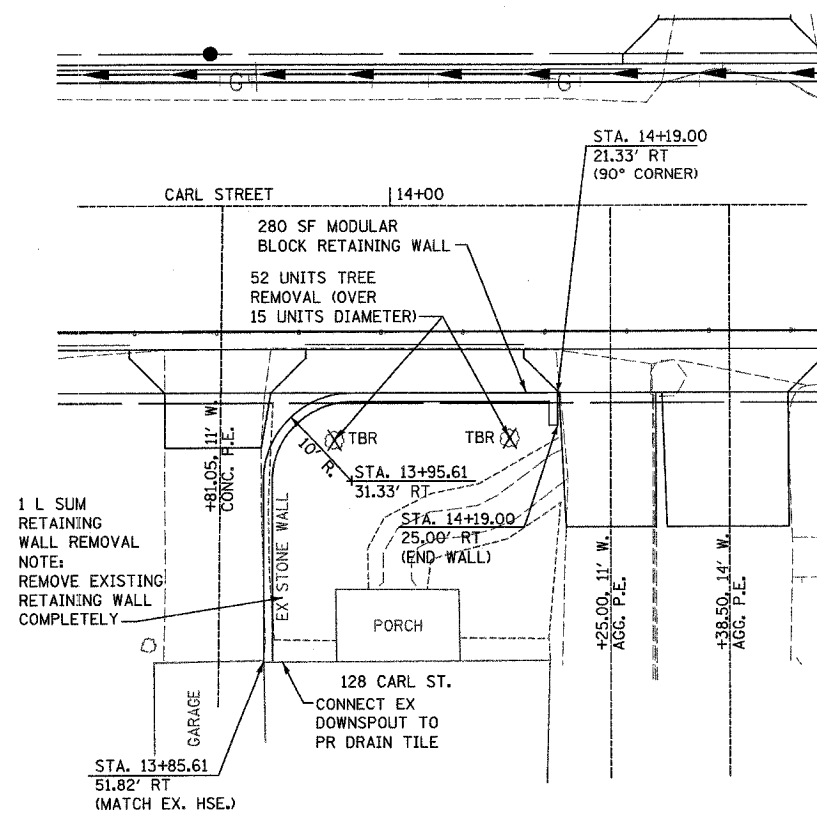
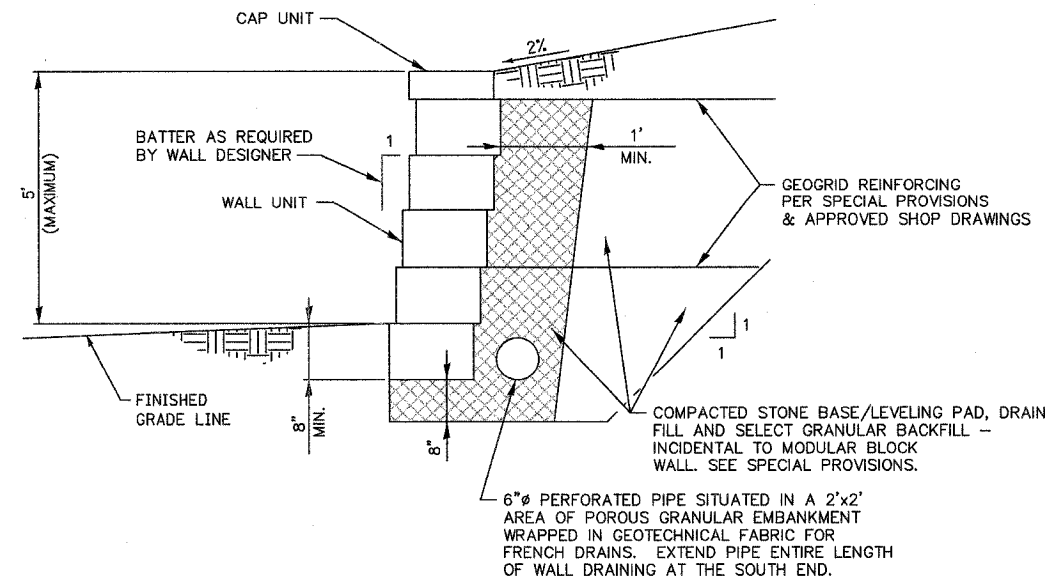


F.A.U. RTE.	SECTION	COUNTY	TOTAL SHEETS	SHEET NO.
9306	04-00042-00-PV	MONROE	22	16
RETAINING WALL DETAILS				
CONTRACT NO. 97304				
FEDERAL AID PROJECT				



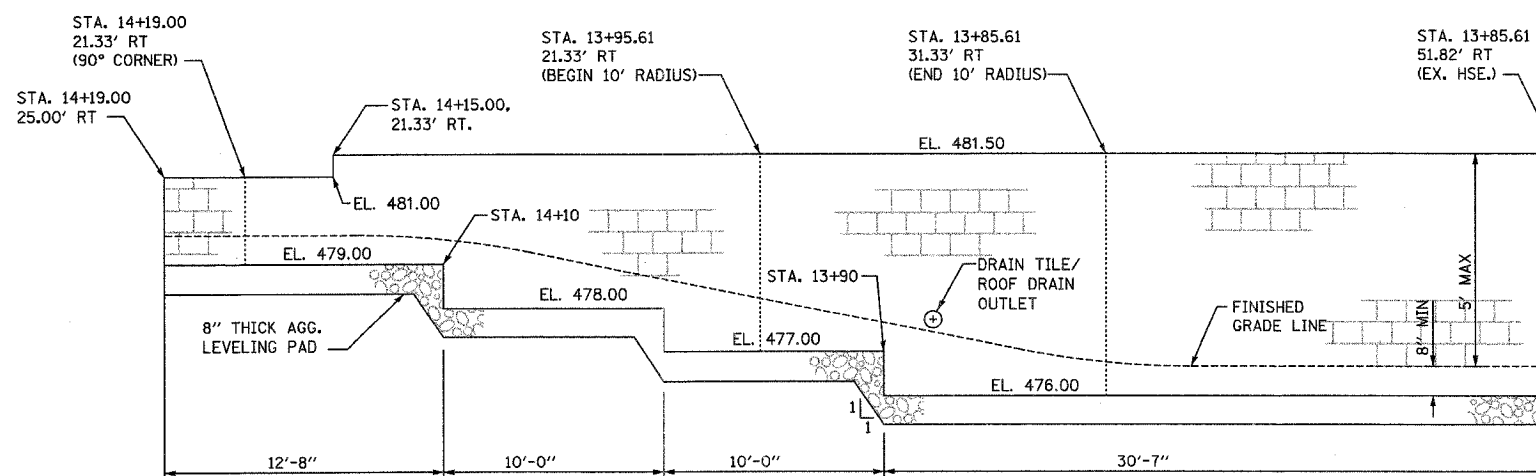
PLAN VIEW
SCALE: 1" = 10'



NOTES:

- QUANTITIES SHOWN SHALL BE VERIFIED BY WALL DESIGNER. ACTUAL MEASUREMENTS AND PAYMENT SHALL BE IN ACCORDANCE WITH SPECIAL PROVISIONS.
- REMOVE EXISTING EMBANKMENT AS NECESSARY TO INSTALL REINFORCING GEOGRID. COMPACT SELECT GRANULAR BACKFILL OVER GEOGRID PER SPECIAL PROVISIONS & APPROVED SHOP DRAWINGS - INCIDENTAL TO MODULAR BLOCK WALL.

SECTION VIEW



ELEVATION VIEW
(NOT TO SCALE)

MODULAR BLOCK RETAINING WALL

PLOT DATE = 8/29/2007
 FILE NAME = H:\V\2005\Monroeston\0866481\interstation\NEW.dgn
 USER = MUSER