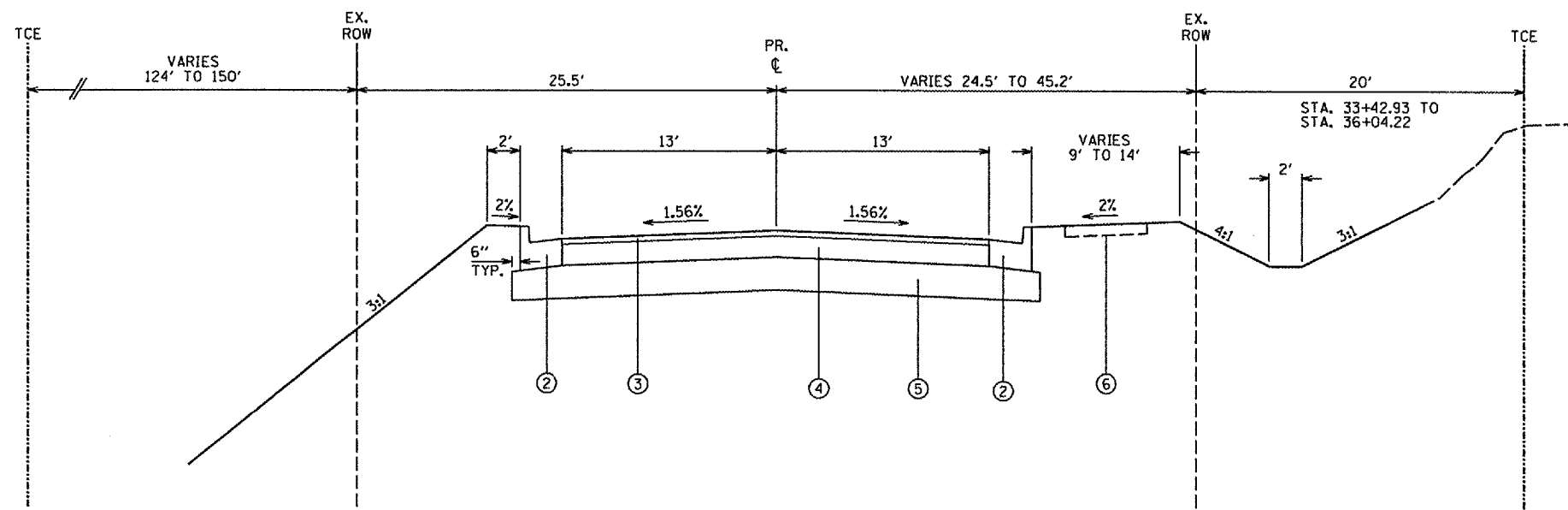


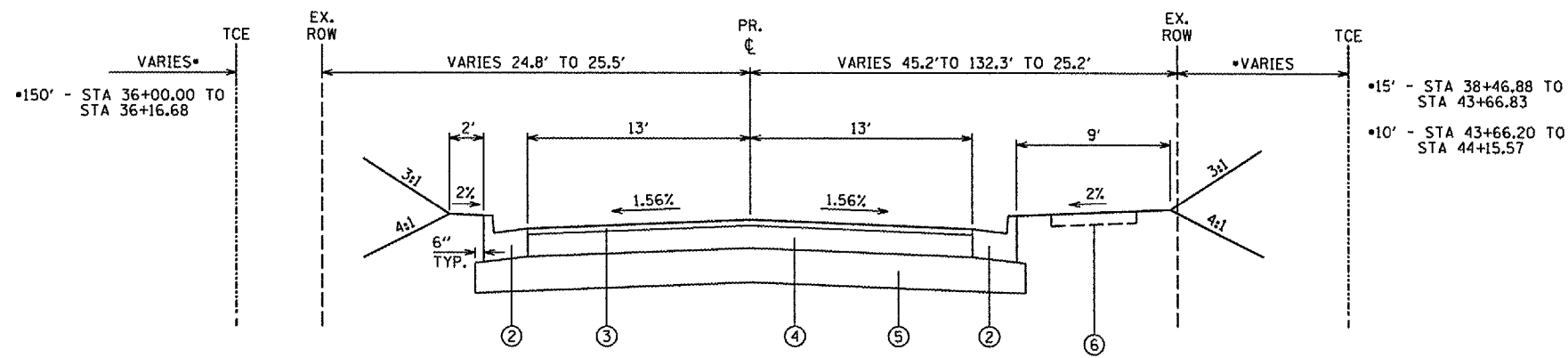
LEGEND

- ① EXISTING OIL & CHIP ROADWAY - TO BE REMOVED
- ② PROPOSED COMBINATION CURB & GUTTER, TYPE B-6.24
- ③ PROPOSED HOT MIX ASPHALT SURFACE COURSE, MIX "D", N70 - 2"
- ④ PROPOSED HOT MIX ASPHALT BINDER COURSE, IL 19.0, N70 - 7.75"
- ⑤ PROPOSED PROCESSING MODIFIED SOIL - 12"
- ⑥ FUTURE 5' PORTLAND CEMENT CONCRETE SIDEWALK

INDICATES REMOVAL ITEM



PROPOSED TYPICAL SECTION SEIBERT ROAD
STA. 35+00.00 TO STA. 36+00.00



PROPOSED TYPICAL SECTION SEIBERT ROAD
STA. 36+00.00 TO STA. 44+03.40

THOUVENOT, WADE & MOERCHEN, INC.
ENGINEERS ♦ SURVEYORS ♦ PLANNERS



☑ CORPORATE OFFICE
4940 OLD COLLINSVILLE RD.
SWANSEA, ILLINOIS 62226
TEL. (618) 624-4488
FAX (618) 624-8688
corp@twm-inc.com

☐ WATERLOO OFFICE
118 SOUTH MAIN STREET
WATERLOO, ILLINOIS 62298
TEL. (618) 989-5060
FAX (618) 989-8888
waterloo@twm-inc.com

☐ ST. LOUIS OFFICE
1001 CRAIG ROAD, SUITE 260
ST. LOUIS, MISSOURI 63146
TEL. (314) 236-6062
FAX (314) 872-2194
stlouis@twm-inc.com

PROFESSIONAL REGISTRATIONS	LICENSE NO.
ILLINOIS PROFESSIONAL DESIGN PEAK	34-02380
PROFESSIONAL ENGINEERING CIVIL	04-06070
PROFESSIONAL STRUCTURAL CIVIL CON.	04-06082
ILLINOIS PROF. LAND SURVEYING CON.	96-00080
MISSOURI PROFESSIONAL ENGINEER CIVIL	NO 00000
MISSOURI LAND SURVEYING CON.	NO 00000

SEAL

Signature: _____
Registration Date: _____

STATEMENT OF RESPONSIBILITY
I hereby certify that the documents herein to be authorized by my seal included in this document and I hereby declare my responsibility for all other drawings, specifications, estimates, reports or other documents or instruments relating to or intended to be utilized for any other part of the architectural, engineering or survey project.

TYPICAL SECTIONS PROPOSED
SEIBERT ROAD
RECONSTRUCTION - PHASE IV
VILLAGE OF SHILOH
ST. CLAIR COUNTY, ILLINOIS

REV.	DATE	DESCRIPTION
△		
△		
△		

DRAWN BY: MJJ	SHEET
DESIGNED BY: MJJ	7
CHECKED BY: XXX	
APPROVED BY: XXX	
PROJECT NUMBER: D20010479	

OF 38 SHEETS
 ISSUED FOR REVIEW ISSUED FOR BIDDING
 ISSUED FOR CONSTR. RECORD DRAWING

PLOT DATE = 3/21/2007
 FILE NAME = F:\010479\5.dgn
 USER NAME = JCH
 USER = JCH
 ...\\010479TYP5 4.dan 3/21/2007 1:45:16 PM