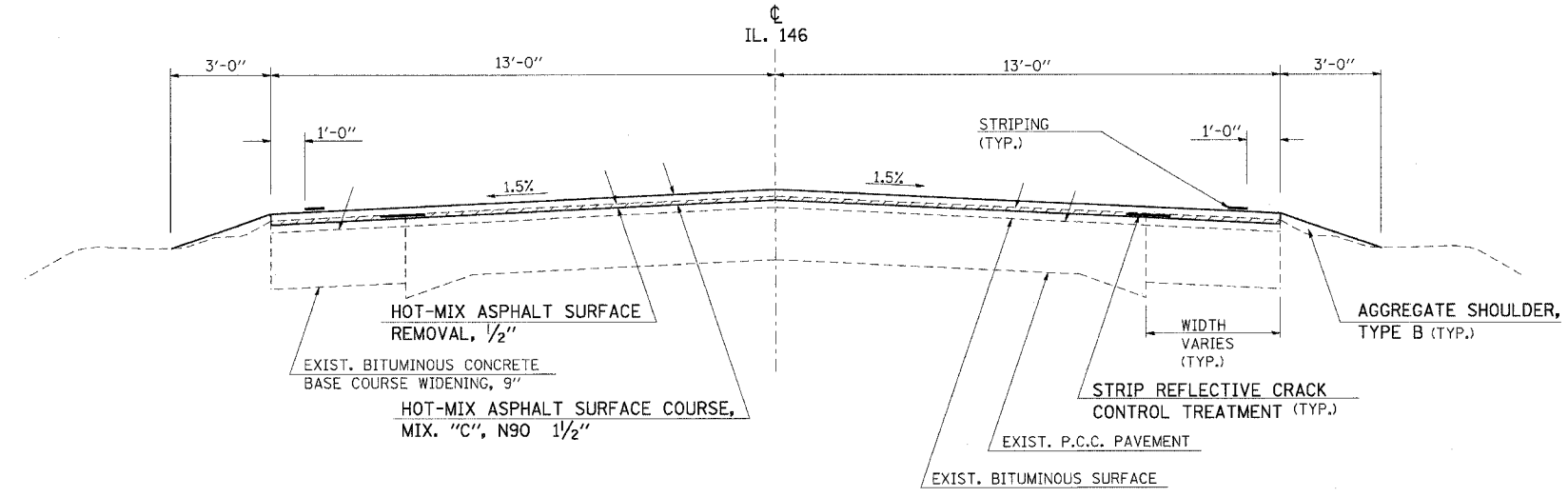


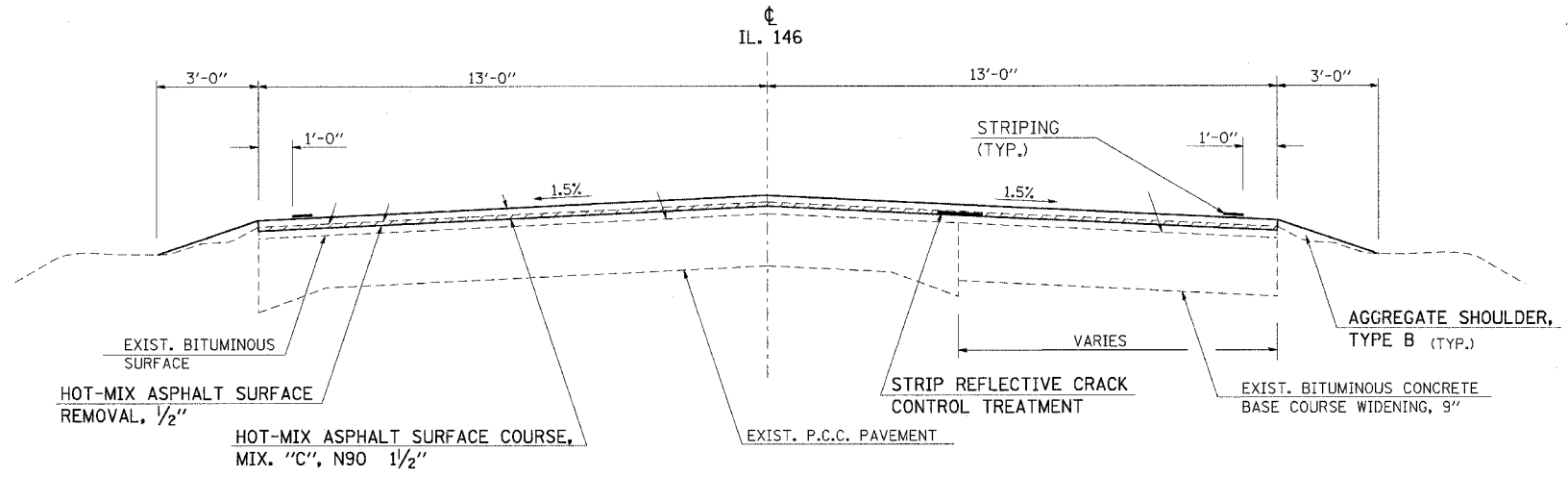
F.A.P. RTE.	SECTION	COUNTY	TOTAL SHEETS	SHEET NO.
885	5RS-3,(13,11,8)RS	HARDIN	26	5
STA.		TO STA.		
FED. ROAD DIST. NO.		ILLINOIS	FED. AID PROJECT	

**TO BE USED:**  
 STA. 2+00 TO STA. 73+65  
 STA. 92+89 TO STA. 94+29  
 STA. 139+63 TO STA. 159+30  
 STA. 213+56 TO STA. 278+19  
 STA. 283+41 TO STA. 295+03

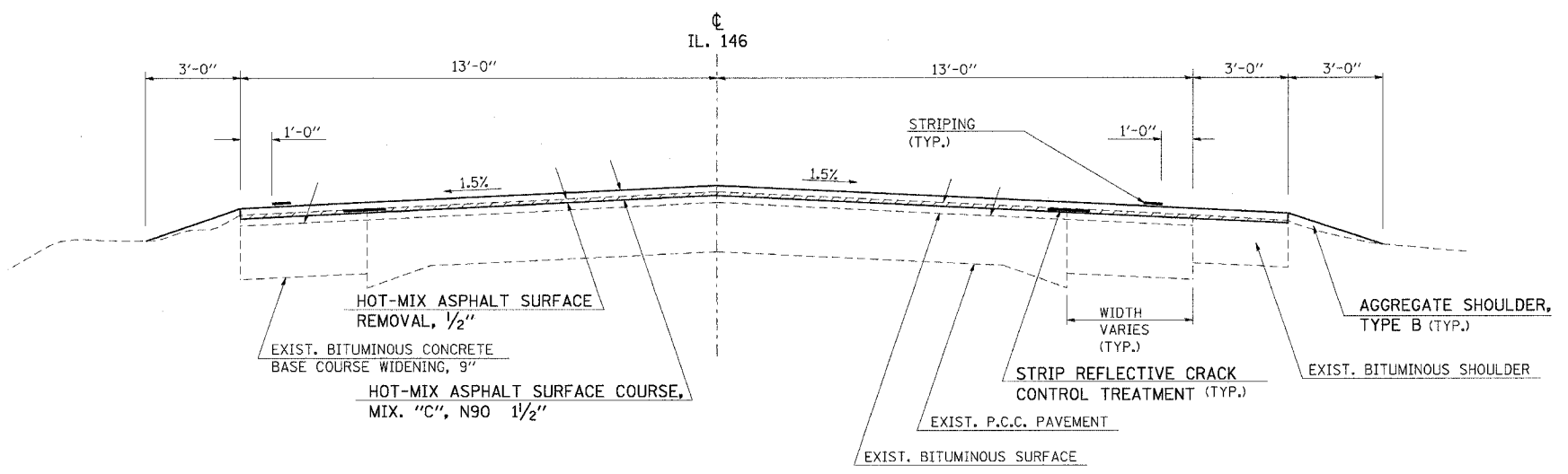


**TO BE USED:**  
 STA. 73+65 TO STA. 76+64 (SEE BRIDGE TYPICAL FOR APPLICATION TO BRIDGE)  
 STA. 76+96 TO STA. 92+89  
 STA. 94+29 TO STA. 139+63  
 \* STA. 159+30 TO STA. 213+56

\* EXISTING BITUMINOUS CONCRETE BASE COURSE WIDENING IS LOCATED ON LT. SIDE OF ROAD INSTEAD OF RT. SIDE.



**TO BE USED:**  
 STA. 295+03 TO STA. 308+28



PLOT DATE = 1/23/2007  
 PLOT SCALE = 1/8" = 1'-0"  
 USER NAME = hnsd

REVISIONS	
NAME	DATE

ILLINOIS DEPARTMENT OF TRANSPORTATION  
**TYPICAL SECTIONS**  
 SHEET 1 OF 5  
 SCALE: VERT. NONE  
 DATE:                      HORIZ.  
 DRAWN BY CNH  
 CHECKED BY