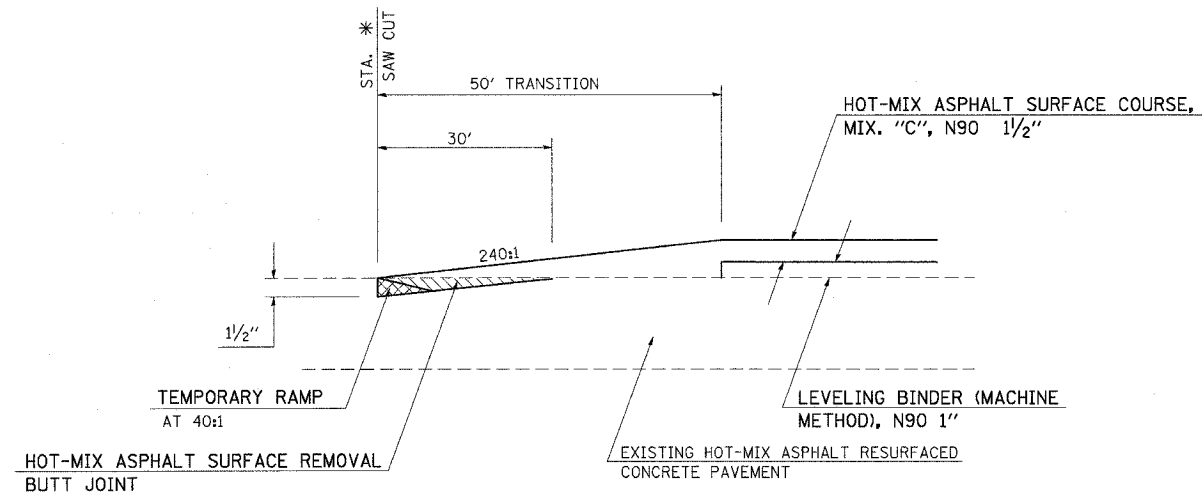


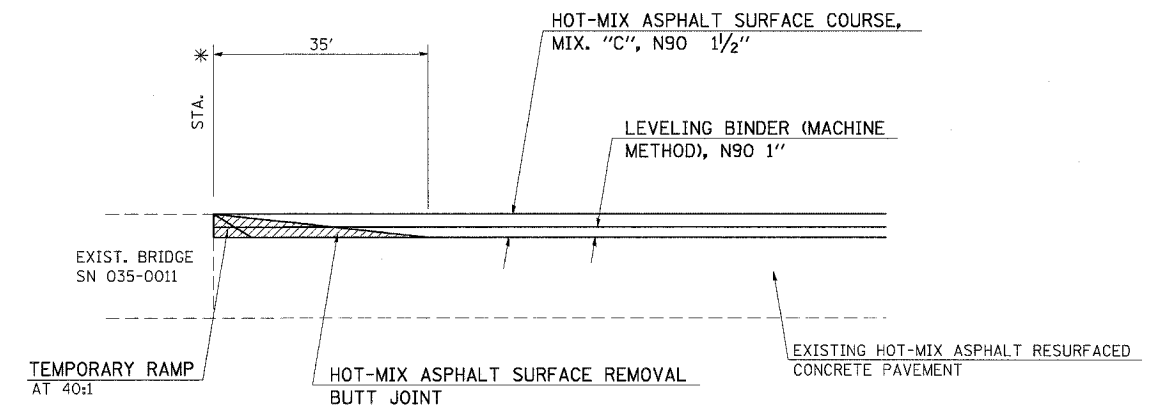
CONTRACT NO. 98782				
F.A.P. RTE.	SECTION	COUNTY	TOTAL SHEETS	SHEET NO.
885	SRS-3,(13,11,8)RS	HARDIN	26	21
STA.		TO STA.		
FED. ROAD DIST. NO.		ILLINOIS	FED. AID PROJECT	

### BUTT JOINT DETAIL



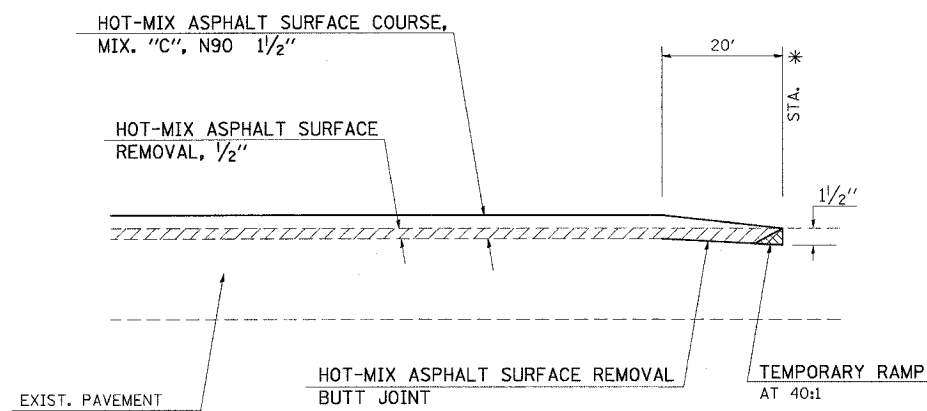
**\* TO BE USED:**  
 STA. 227+67  
 STA. 228+89  
 STA. 481+00

### BUTT JOINT DETAIL



**\* TO BE USED:**  
 STA. 84+86.75  
 STA. 86+16

### BUTT JOINT DETAIL



**\* TO BE USED:**  
 STA. 2+00  
 STA. 76+48  
 STA. 77+12  
 STA. 278+19  
 STA. 283+41

PLOT DATE = 2/6/2007  
 PLOT SCALE = 1/8" = 1'-0"  
 USER NAME = hudson

REVISIONS	
NAME	DATE

ILLINOIS DEPARTMENT OF TRANSPORTATION

**DETAILS: BUTT JOINTS**

SCALE: VERT. NONE  
 HORIZ. NONE

DATE: \_\_\_\_\_ DRAWN BY CNH  
 CHECKED BY \_\_\_\_\_