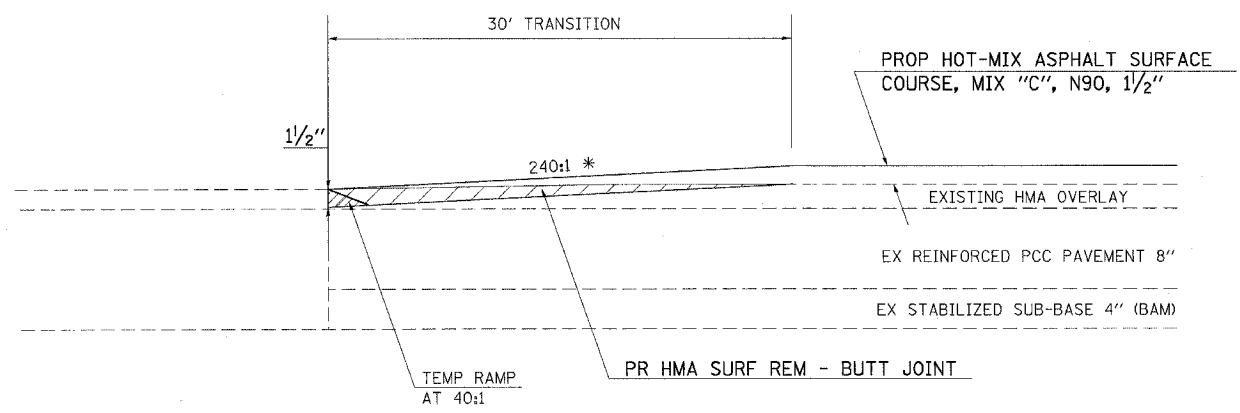


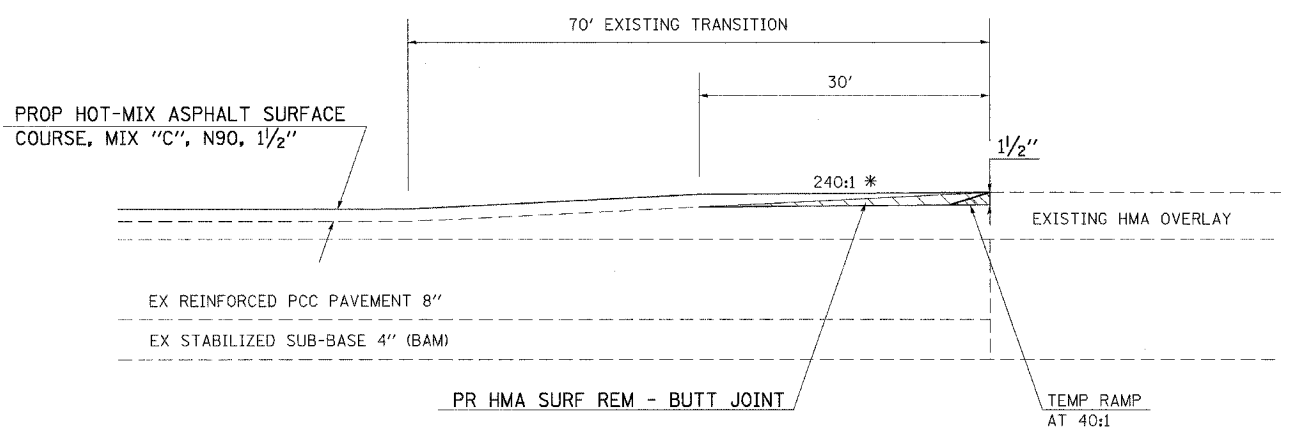
F.A.I. RTE.	SECTION	COUNTY	TOTAL SHEETS	SHEET NO
57	77-03, 4-1, 4-2RS-2	PULASKI	52	44
STA.		TO STA.		
FED. ROAD DIST. NO.	ILLINOIS	FED. AID PROJECT		
CONTRACT NO. 98829				

**BUTT-JOINT**  
(FAS 939 / MOUNDS ROAD)



**TO BE USED:**  
(BEGINNING OF PROJECT)  
STA 92+00 ☐

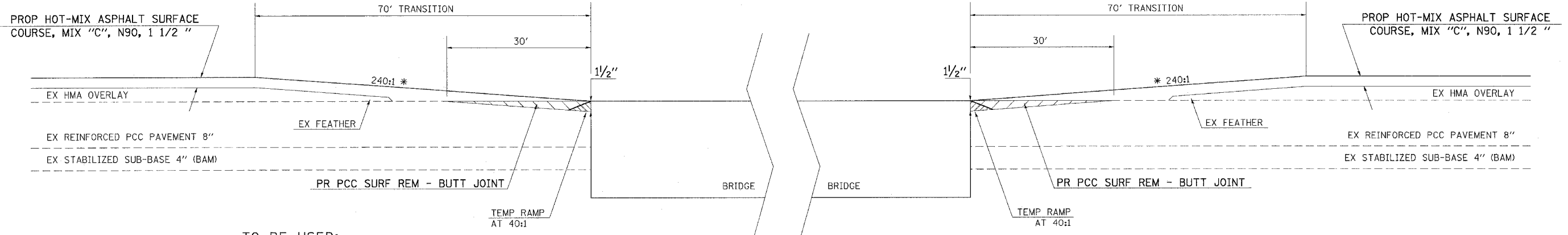
**BUTT-JOINT**  
(FAS 939 / MOUNDS ROAD)



**TO BE USED:**  
(END OF PROJECT)  
STA 124+00 ☐

- NOTES:**
1. AT THE BUTT JOINT LOCATIONS INDICATED, SIMILAR BUTT JOINTS SHALL BE CONSTRUCTED IN THE ADJACENT EXISTING HMA SHOULDERS. THIS WORK SHALL BE PAID FOR AS HMA SURFACE REMOVAL - BUTT JOINT.
  2. \* 240:1 TAPERS TO BE CONSTRUCTED USING STRING LINE GRADE CONTROL

SN 077-0027



**TO BE USED:**  
STA 106+77 ☐

**TO BE USED:**  
STA 109+25 ☐

PLOT DATE = 5/7/2007  
 PLOT SCALE = 1/8" = 1'-0"  
 USER NAME = thomasf