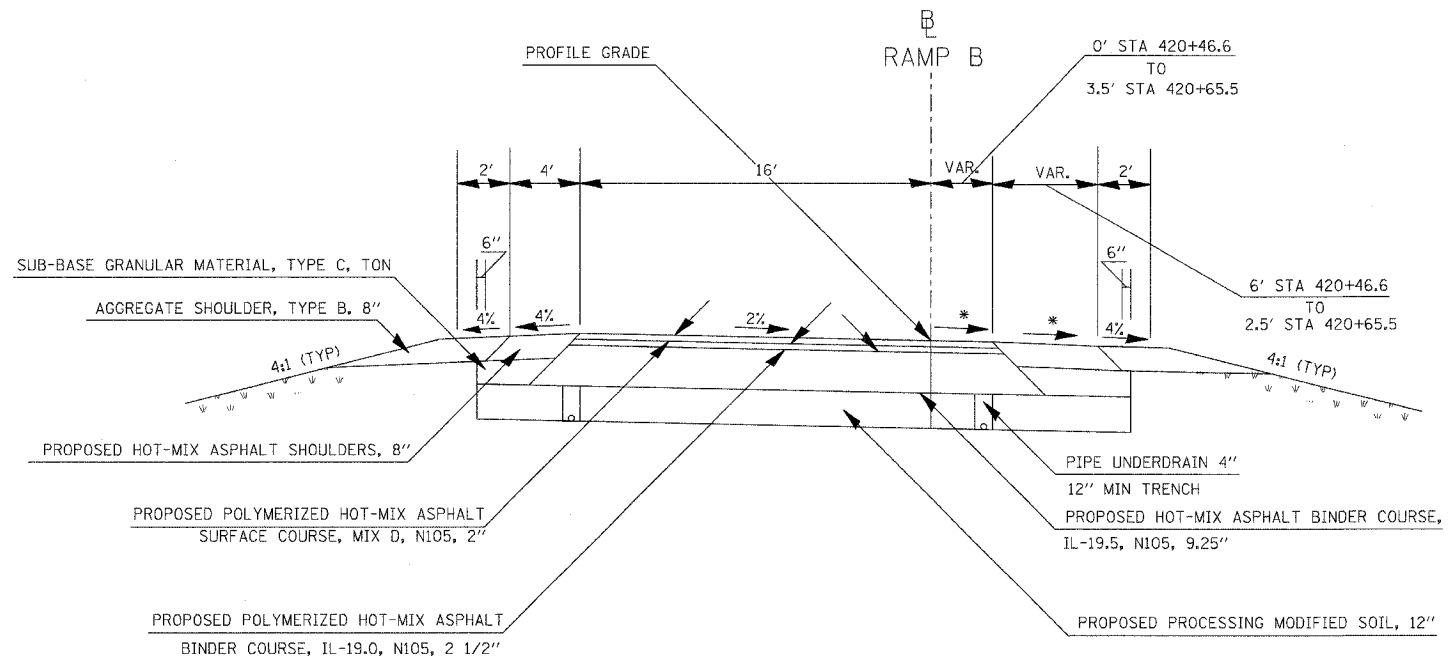
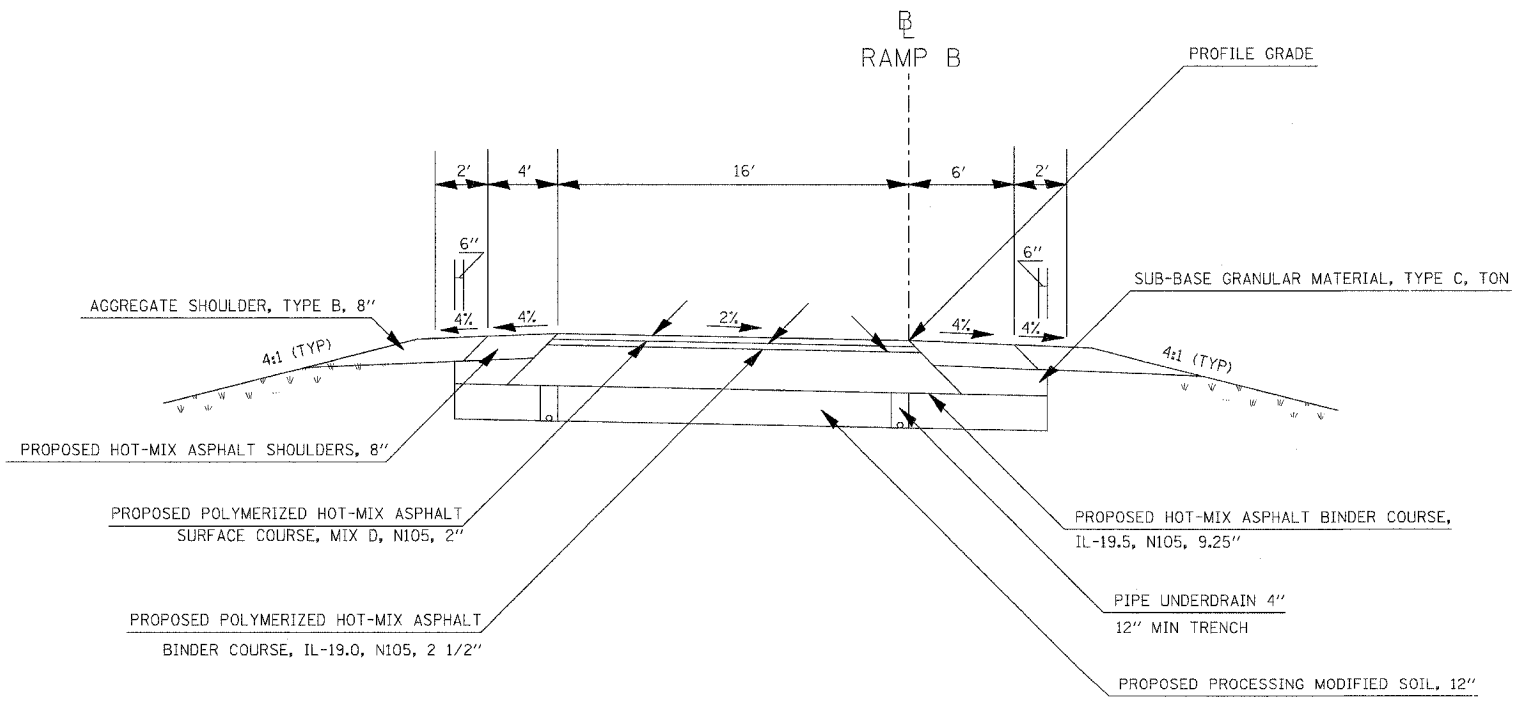


CONTRACT NO. 98963				
F.A. RTE.	SECTION	COUNTY	TOTAL SHEETS	SHEET NO.
57/64	(41-3)HBK	JEFFERSON	518	026
STA.		TO STA.		
FED. ROAD DIST. NO.	ILLINOIS	FED. AID PROJECT		



TO BE USED
STA 420+46.6 TO STA 420+65.5



TO BE USED
STA 411+81.17 TO STA 420+46.8

- * THE MINIMUM TRENCH WIDTH FOR PIPE UNDERDRAINS SHALL BE 12"
- * FOR GUARDRAIL LOCATIONS SEE GUARDRAILS SCHEDULE
- * SEE RAMP B CROSS SECTIONS FOR CROSS SLOPES

PLOT DATE = 03/21/2007, 07:27 AM
FILE NAME = E:\98963\98963\DOT\98963\98963.dwg
PLOT SCALE = 0.0000 1/16"
USER NAME = hnt