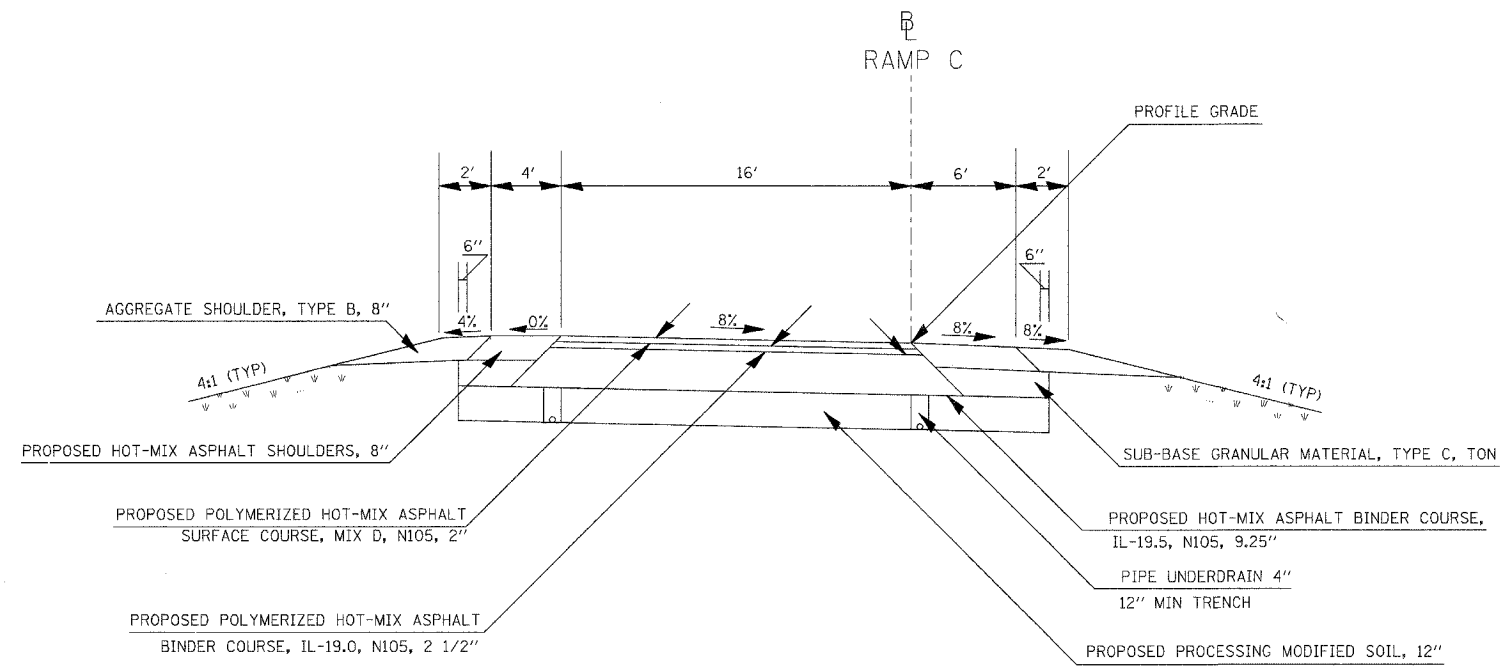
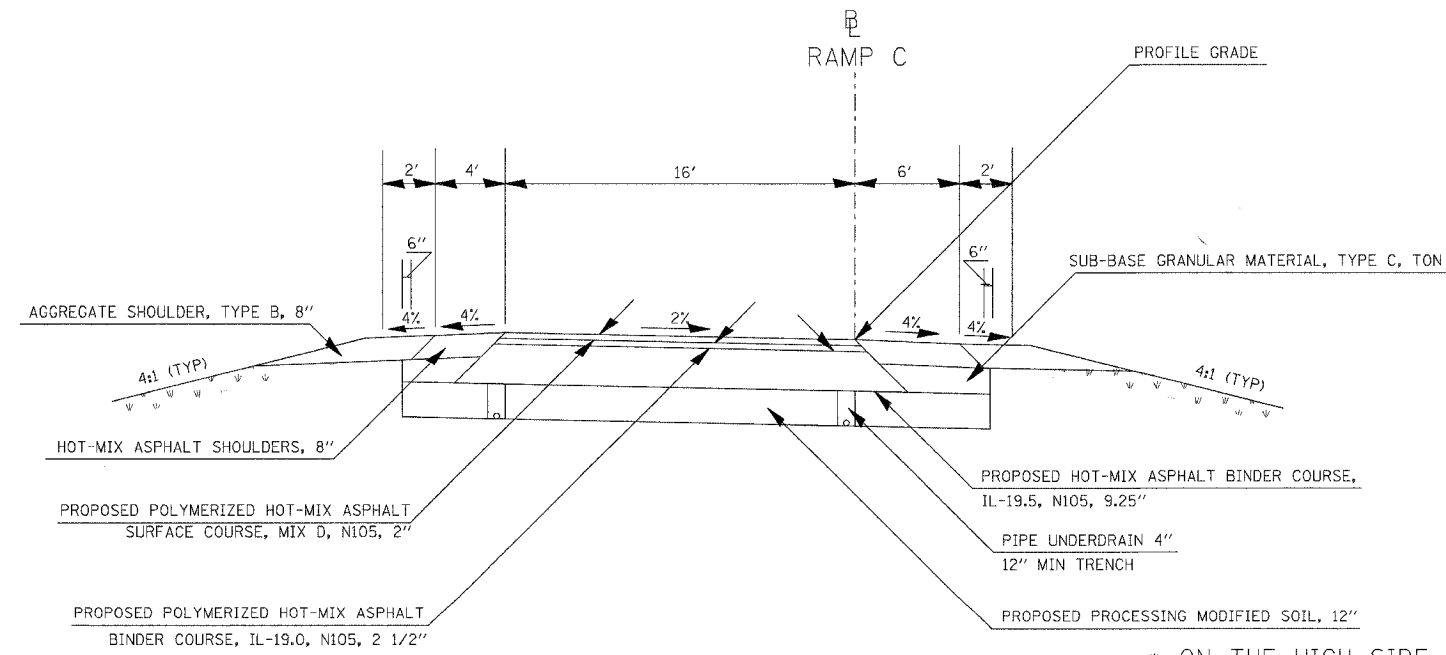


CONTRACT NO. 98963				
F.A. RTE.	SECTION	COUNTY	TOTAL SHEETS	SHEET NO.
57/64	(41-3)HBK	JEFFERSON	518	032
STA.		TO STA.		
FED. ROAD DIST. NO.		ILLINOIS FED. AID PROJECT		



TO BE USED  
 STA 513+94.40 TO STA 515+28.63



TO BE USED  
 STA 507+54.98 TO STA 511+34.40

ATTAIN SUPERELEVATION  
 STA 511+34.40 TO STA 513+94.40

REMOVE SUPERELEVATION  
 SEE STANDARD 406001-03

- \* ON THE HIGH SIDE OF SUPERELEVATED SECTIONS, THE MAXIMUM SHOULDER ROLLOVER SHALL NOT EXCEED 8%
- \* THE MINIMUM TRENCH WIDTH FOR PIPE UNDERDRAINS SHALL BE 12"
- \* FOR GUARDRAIL LOCATIONS SEE GUARDRAILS SCHEDULE
- \* SEE RAMP C CROSS SECTIONS FOR CROSS SLOPES

PLOT DATE = 03/21/2007 9:02:27 AM  
 FILE NAME = I:\98963\98963\98963\DOT\REFS\typicals.mxd  
 PLOT SCALE = 1/8" = 1'-0"  
 USER NAME = Kest