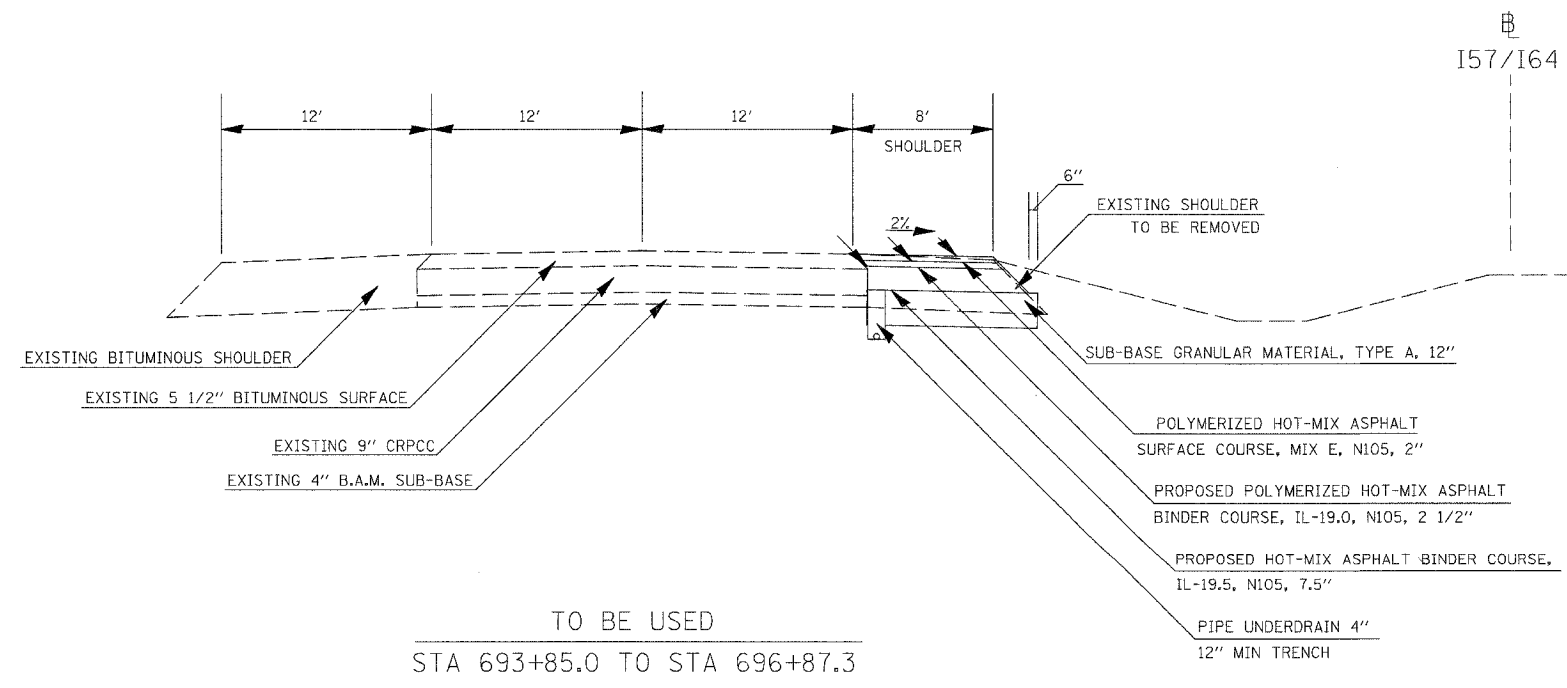
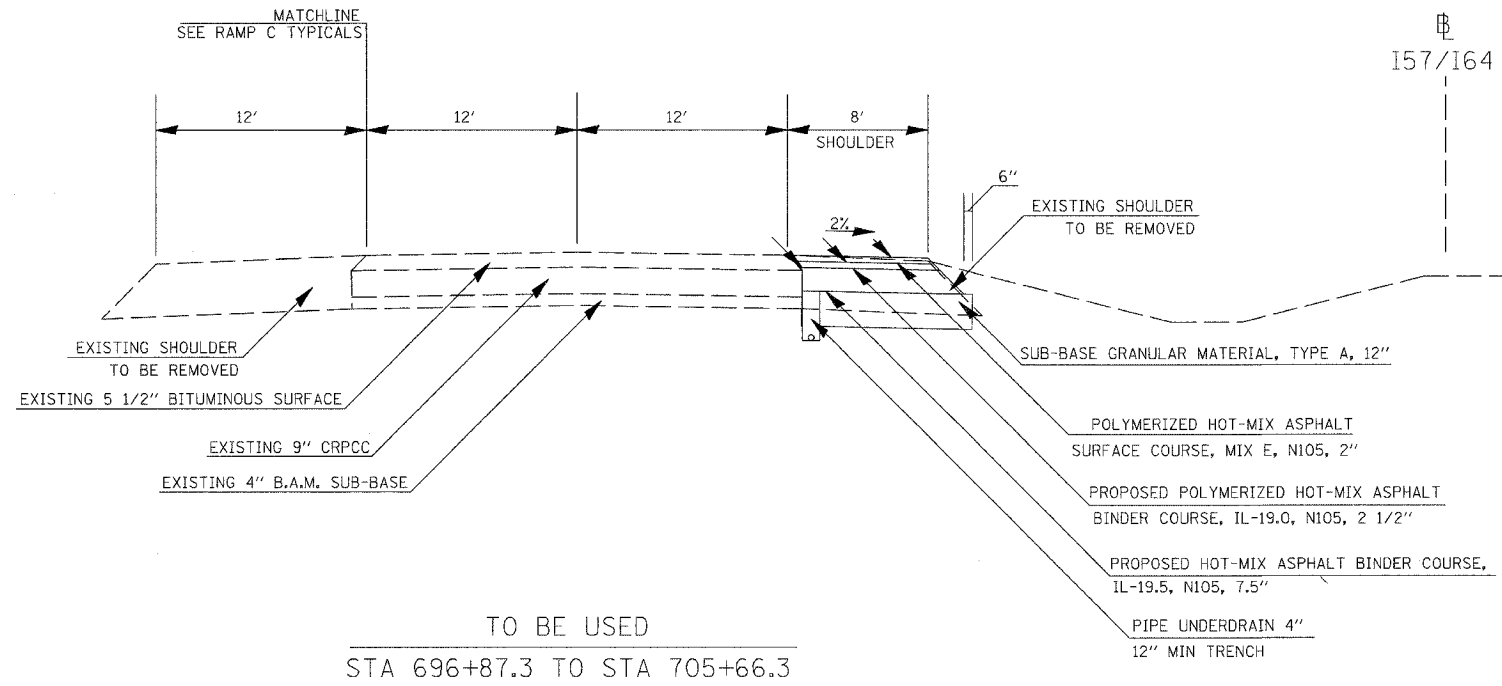


CONTRACT NO. 98963				
F.A. RTE.	SECTION	COUNTY	TOTAL SHEETS	SHEET NO.
57/64	141-318BK	JEFFERSON	518	050
STA.		TO STA.		
FED. ROAD DIST. NO.	ILLINOIS	FED. AID PROJECT		



\* SEE GUARDRAIL SCHEDULE AND DETAIL FOR GUARDRAIL SHOULDER WIDENING

TYPICALS I57/I64 SOUTHBOUND

PLOT DATE = 03/21/2007, 07:27 AM  
FILE NAME = I:\98963\98963\2019a\DOT\98963\typical.dwg  
PLOT SCALE = 1/8" = 1'-0"  
USER NAME = jct