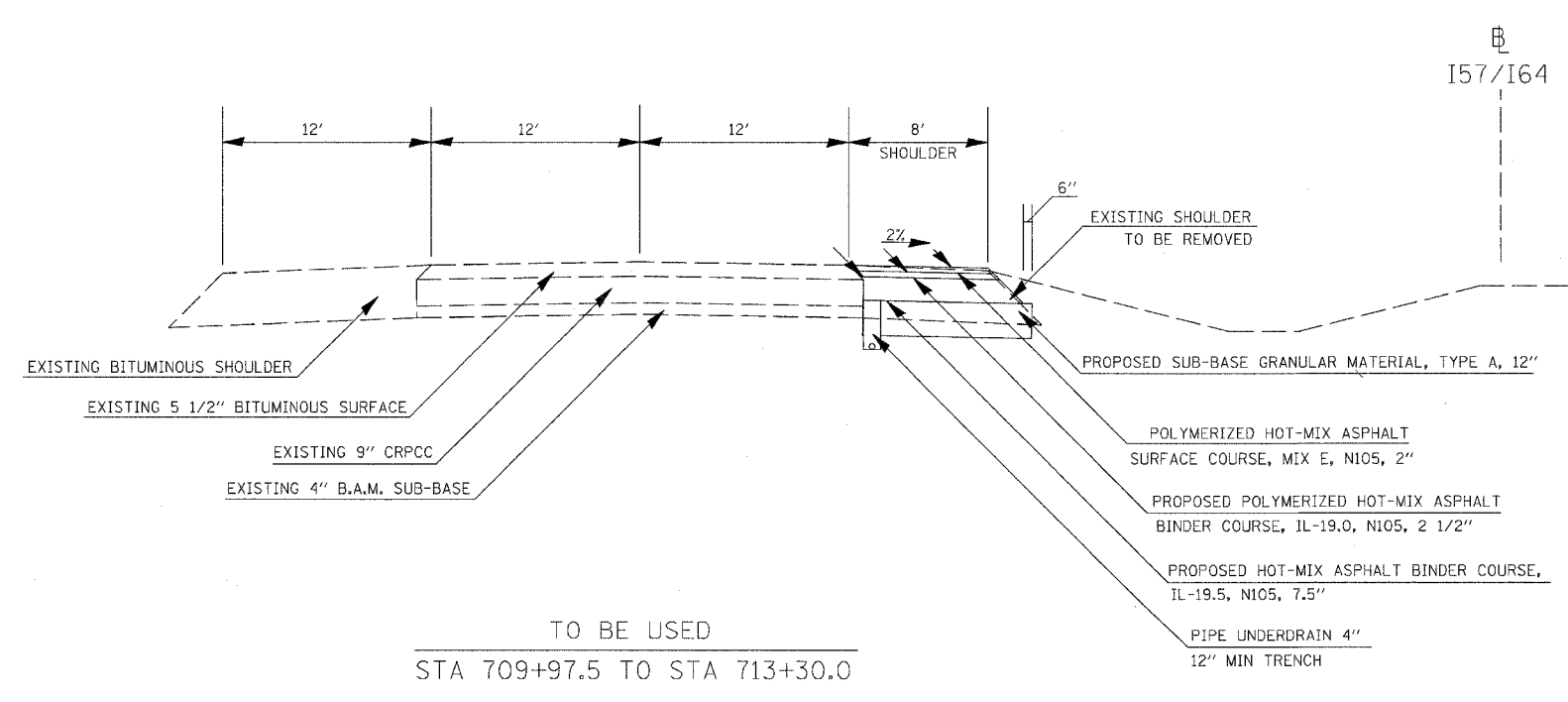
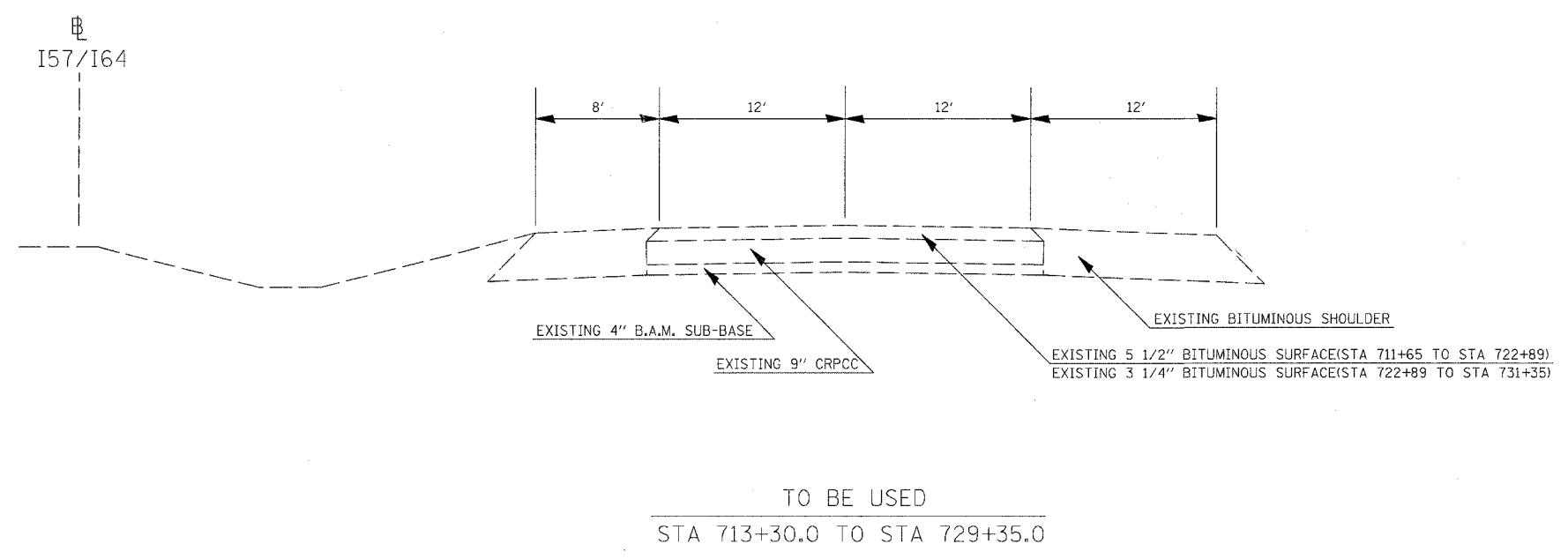


CONTRACT NO. 98963				
F.A. R.T.E.	SECTION	COUNTY	TOTAL SHEETS	SHEET NO.
57/64	41-3H8K	JEFFERSON	518	052
STA.		TO STA.		
FED. ROAD DIST. NO.	ILLINOIS	FED. AID PROJECT		



* SEE GUARDRAIL SCHEDULE AND DETAIL FOR GUARDRAIL SHOULDER WIDENING

TYPICALS I57/I64 SOUTHBOUND

PLOT DATE = 03/21/2007, 07:27 AM
 FILE NAME = I:\98963\9828195\DOT_RHP5\typical.n32
 USER NAME = RHP