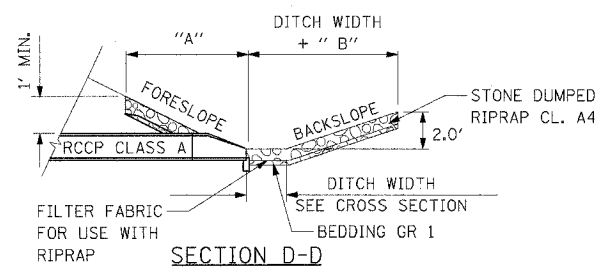
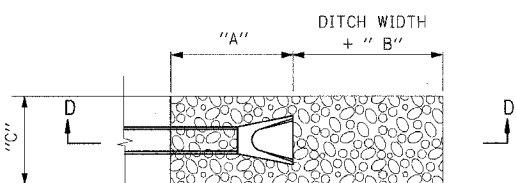
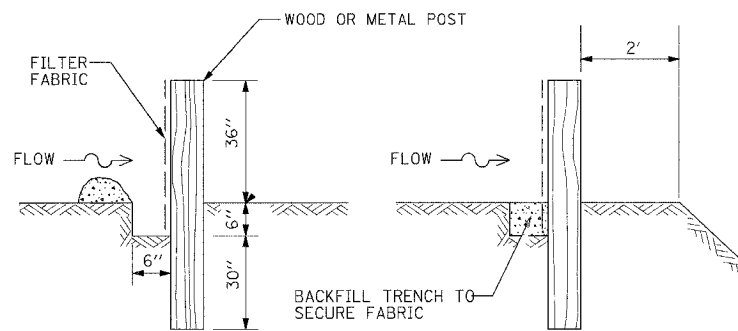


OUTLET PIPE DRAINS 12" STONE DUMPED RIPRAP PROTECTION DETAIL

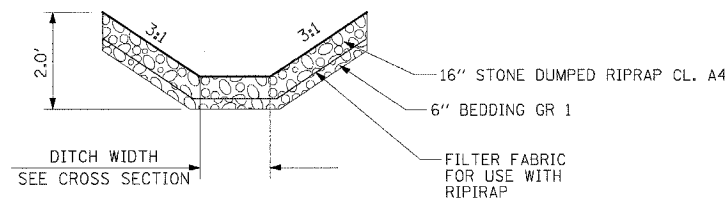


PIPE SIZE	"A" FORESLOPE		"B" BACKSLOPE		"C" WIDTH
	2:1	3:1	2:1	3:1	
12	4	6	4	6	4
15	4.5	6.75	4	6	4
18	5	7.5	4	6	4.5
24	6	9	4	6	6
27	6.5	9.75	4	6	6.75
30	7	10.5	4	6	7.5
33	7.5	11.25	4	6	8.25
36	8	12	4	6	9
48	10	15	4	6	12

INLET/OUTLET DETAIL TYPICAL

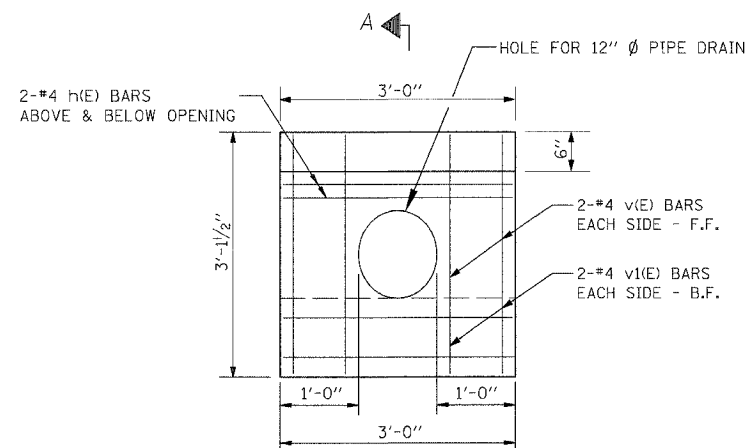


SILT FILTER FENCE AS A PERIMETER EROSION BARRIER



RIPRAP DETAIL TYPICAL DITCH

NOTE: SEE EROSION CONTROL PLAN FOR RIPRAP LIMITS

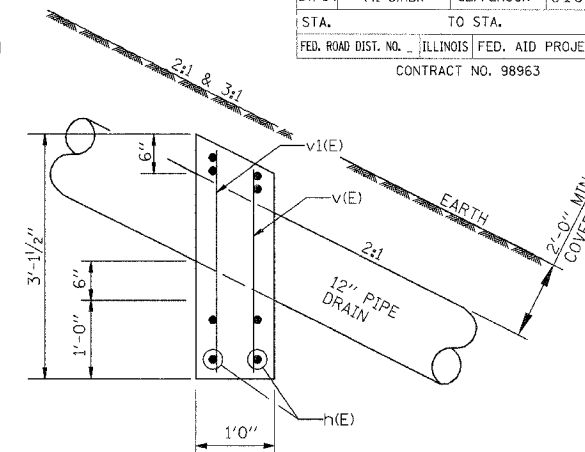


ELEVATION

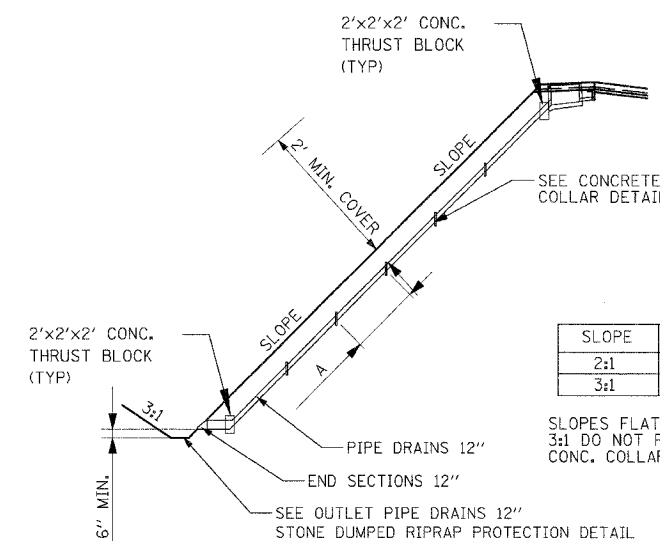
BILL OF MATERIAL

BAR	NO	SIZE	LENGTH	SHAPE
h(E)	8	#4	2'-8"	—
v(E)	4	#4	2'-3"	—
v1(E)	4	#4	2'-8"	—
CONCRETE COLLAR				CU.YD.
REINFORCEMENT BARS				POUND
				0.3
				28

CONCRETE COLLAR DETAIL



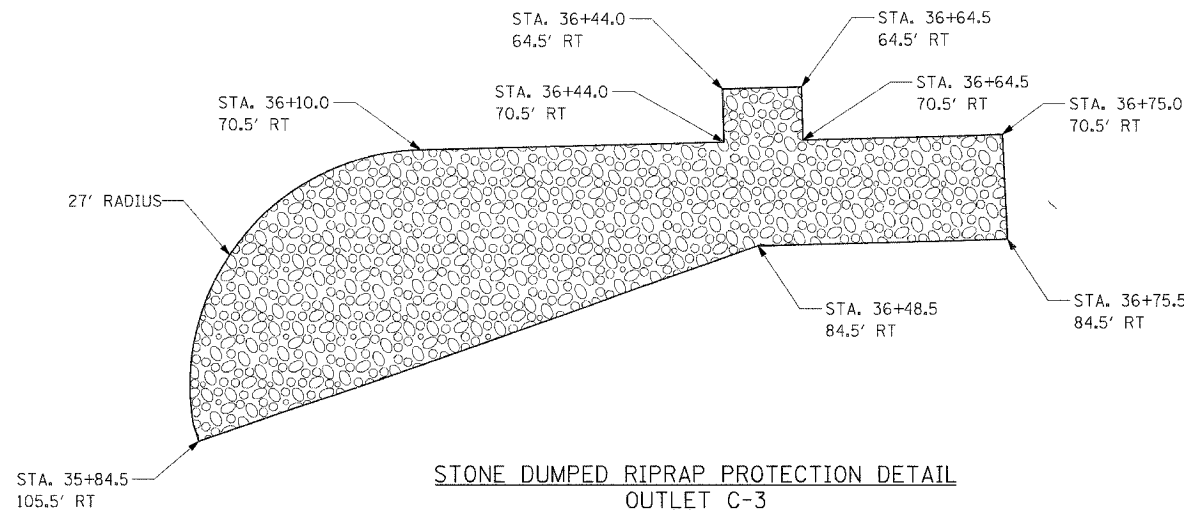
VIEW A-A



EMBANKMENT DETAIL PIPE DRAIN, 12"

SLOPE	A (FT)
2:1	16
3:1	20

SLOPES FLATTER THAN 3:1 DO NOT REQUIRE CONC. COLLARS



STONE DUMPED RIPRAP PROTECTION DETAIL OUTLET C-3

NOT TO SCALE

REVISIONS		ILLINOIS DEPARTMENT OF TRANSPORTATION DRAINAGE DETAILS
NAME	DATE	
		VETERANS MEMORIAL DRIVE INTERCHANGE SECTION (41-3)HBK SCALE: NO SCALE DATE 3-22-07 DRAWN BY RL CHECKED BY MTM