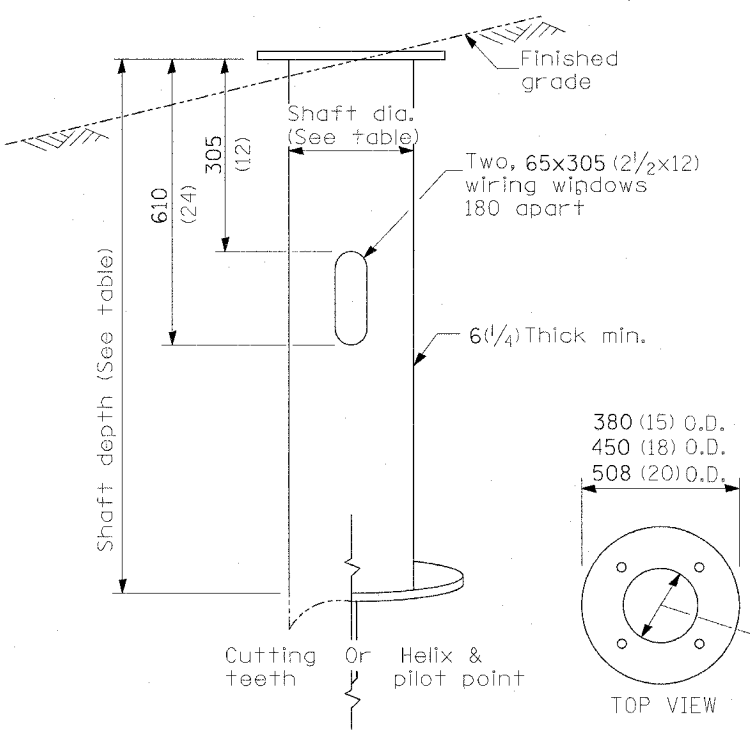
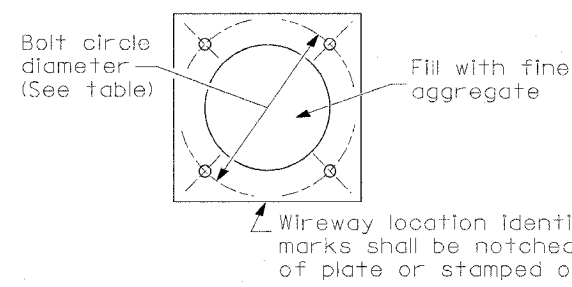


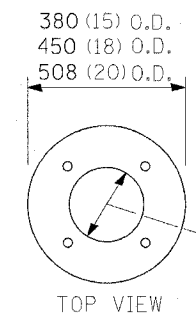
F.A.I. RTE.	SECTION	COUNTY	TOTAL SHEETS	SHEET NO.
57/64	(41-3)HBK	JEFFERSON	518	230
STA.		TO STA.		
FED. ROAD DIST. NO.		ILLINOIS FED. AID PROJECT		

LIGHT POLE MOUNTING HEIGHT	BOLT CIRCLE DIAMETER	STEEL FOUNDATION			CONCRETE FOUNDATION		
		SHAFT DIAMETER	SHAFT DEPTH	TOP PLATE (min)	SHAFT DIAMETER	SHAFT DEPTH	ANCHOR ROD LENGTH 1
<9.1 m (30')	292 (11)	220 (8 5/8)	1.83 m (6')	300 x 300 x 25 12 x 12 x 1	610 (24)	1.52 m (5'-0")	1.45 m (4'-9")
9.4 m - 10.7 m (31'-35')	292 (11)	220 (8 5/8)	1.83 m (6')	300 x 300 x 25 12 x 12 x 1	610 (24)	1.67 m (5'-6")	1.60 m (5'-3")
10.9 m - 12.2 m (36'-40')	381 (15) 3	220 (8 5/8)	1.83 m (6') 2	375 x 375 x 31 15 x 15 x 1 1/4	762 (30)	1.83 m (6'-0")	1.75 m (5'-9")
12.5 m - 13.7 m (41'-45')	381 (15) 3	220 (8 5/8)	1.83 m (6') 2	375 x 375 x 31 15 x 15 x 1 1/4	762 (30)	1.98 m (6'-6")	1.90 m (6'-3")
14.0 m - 15.2 m (46'-50')	381 (15) 3	220 (8 5/8)	2.44 m (8')	375 x 375 x 31 15 x 15 x 1 1/4	762 (30)	2.13m (7'-0")	2.00 m (6'-9")

- Length does not include 100(4)hook
- 220 mm x 2.44 m (8 5/8" x 8'-0") for Twin luminaires
- Bolt circle diam. shall be 430 (17) when a TB3-17 transformer base is used
(PAID FOR AS BREAKAWAY DEVICE, TRANSFORMER BASE, 15 INCH BOLT CIRCLE)



STEEL FOUNDATION



RING PLATE DETAIL

(When rock is encountered and foundation is shallower)

Length above foundation shall be adjusted to accommodate breakaway devices furnished by the contractor for a specific installation.

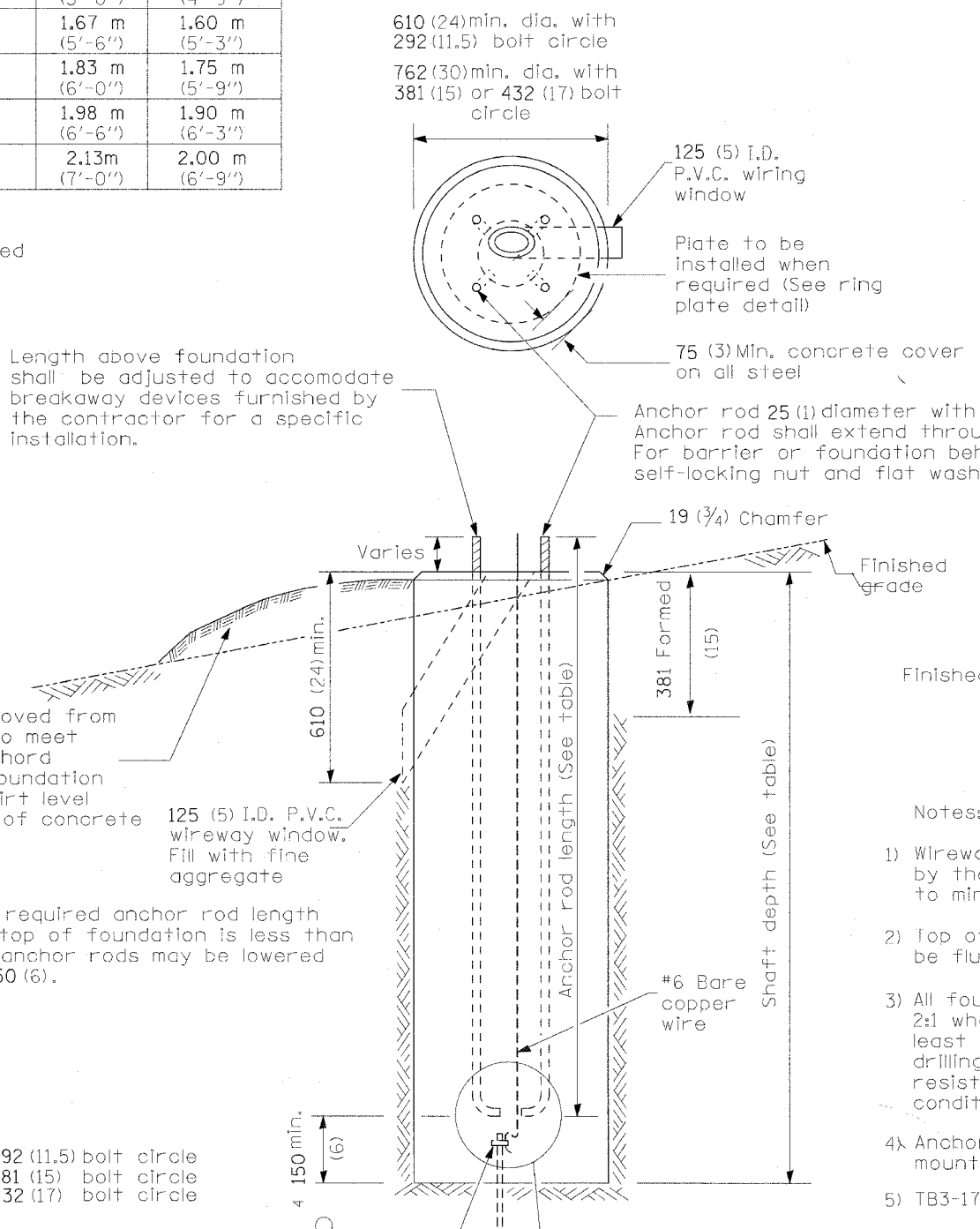
Use dirt removed from foundation to meet 1.52m (5 ft.) chord fill around foundation top. Grade dirt level with bottom of concrete

- If the required anchor rod length (above top of foundation) is less than 75 (3), anchor rods may be lowered below 150 (6).

Cast bronze clamp

16 mm x 3 m (5/8" x 10') Copperclad grounding electrode. When foundation is set in rock, install ground electrode in cable trench.

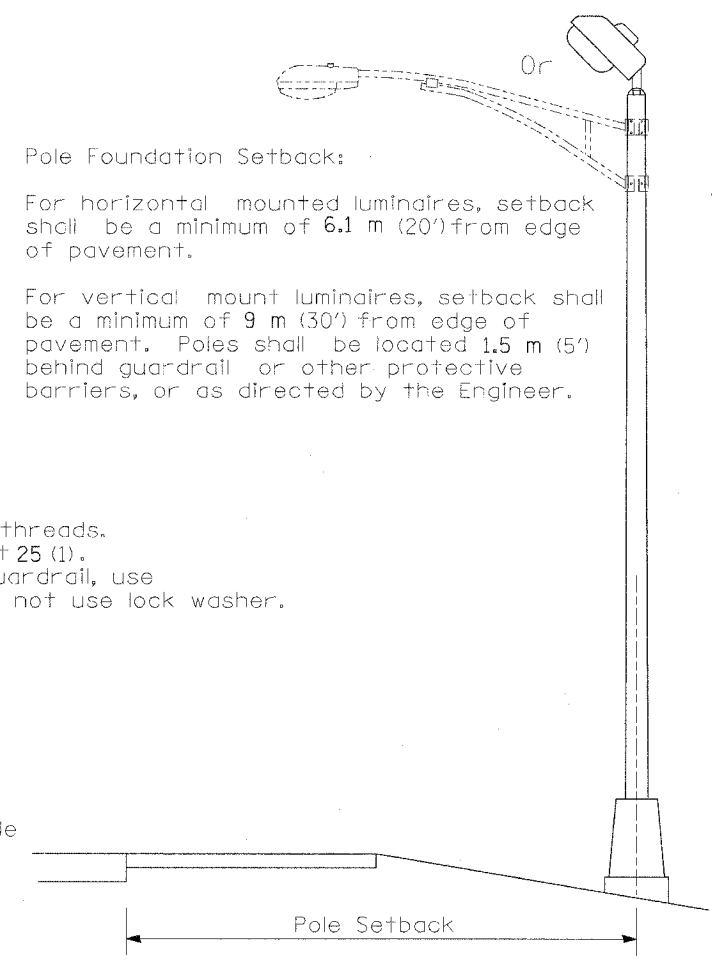
CONCRETE FOUNDATION



Pole Foundation Setback:

For horizontal mounted luminaires, setback shall be a minimum of 6.1 m (20') from edge of pavement.

For vertical mount luminaires, setback shall be a minimum of 9 m (30') from edge of pavement. Poles shall be located 1.5 m (5') behind guardrail or other protective barriers, or as directed by the Engineer.



Notes:

- Wireway may be on front, back or side of foundation as required by the trenching. Place door of transformer base on wireway side to minimize the number of unit duct bends.
- Top of schedule 40 125 (5) I.D. PVC wiring window, shall be flush with the top of foundation for drainage.
- All foundations are designed to be located on slopes not exceeding 2:1 where soils have an unconfined compressive strength of at least 1.0 TSF. The contractor shall verify the soil strength during drilling for concrete foundations or by monitoring installation resistance on steel foundations and notify the engineer if other conditions are encountered.
- Anchor rod shall be increased to 31 (1 1/4) diameter for 15.24 (50') mounting height or above.
- TB3-17 transformer base is not to be used on metal foundation

All dimensions are in millimeters (inches) unless otherwise shown.

DATE	REVISIONS
10/7/02	Bridge Office depth calc.

LIGHT POLE FOUNDATION

PLOT DATE = 03/21/2007 10:09 AM
FILE NAME = I:\Projects\98963\98963.DWG
PLOT SCALE = 12.00000 / IN.
USER NAME = Ken