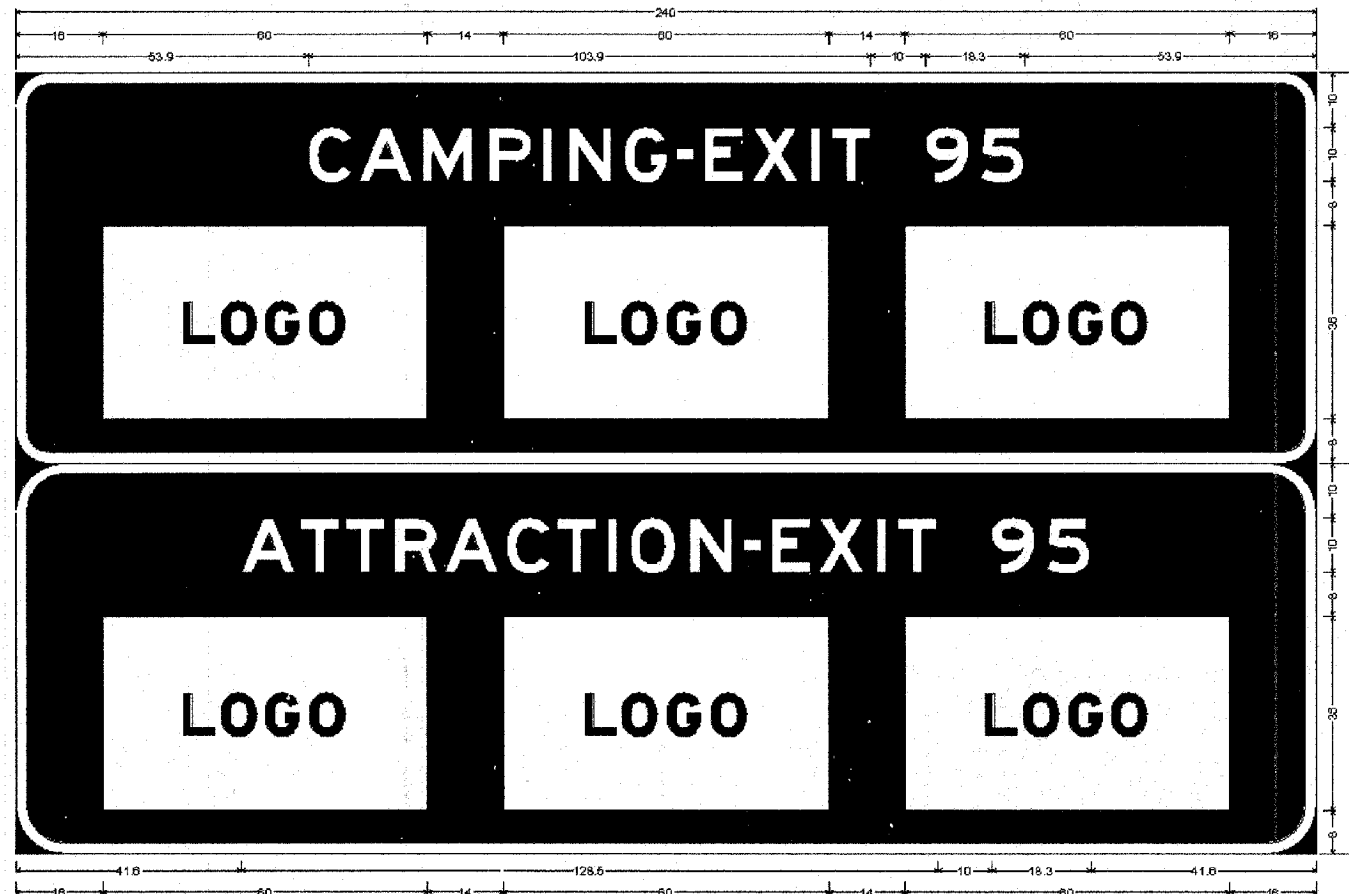


F.A.I. RIE:	SECTION	COUNTY	TOTAL SHEETS	SHEET NO.
57/64	(41-3)HBK	JEFFERSON	518	243
STA.		TO STA.		
FED. ROAD DIST. NO.	ILLINOIS	FED. AID PROJECT		

SIGN NO. 1
STA 634B+00 RT C 157/I64



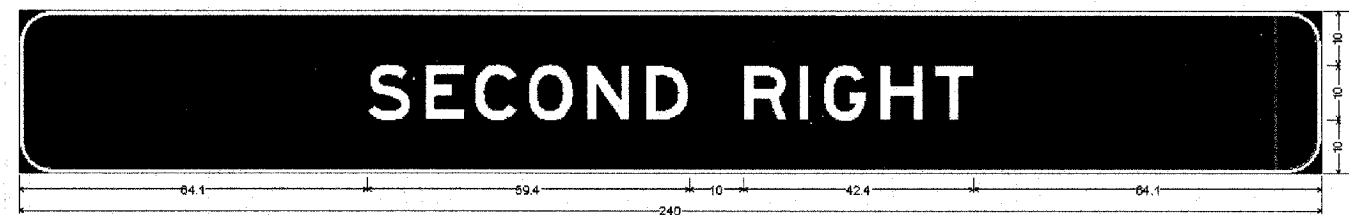
0.0" Radius, 2.0" Border, White on Blue;
*CAMPING-EXIT 95' E Mod 2K;
9.0" Radius, 2.0" Border, White on Blue;
*ATTRACTION-EXIT 95' E Mod 2K;

Table of letter and object lefts.

C	A	M	P	I	N	O	-	E	X	I	T	9	S			
53.9	63.3	75.1	87.3	97.1	101.9	112.4	121.8	127.0	136.8	149.8	160.4	167.8	178.0			
16.0	190.0	184.0														
A	T	R	A	C	T	I	O	N	-	E	X	I	T	9	S	
41.8	52.8	60.8	69.9	79.1	90.6	99.9	109.1	113.8	124.3	134.1	139.3	149.1	158.9	162.8	180.1	190.3
16.0	190.0	184.0														

SIGN NO. 2

- STA 634B+00 RT C 157/I64
- STA 642B+00 RT C 157/I64
- STA 658+00 RT C 157/I64
- STA 666+00 RT C 157/I64
- STA 682+00 RT C 157/I64

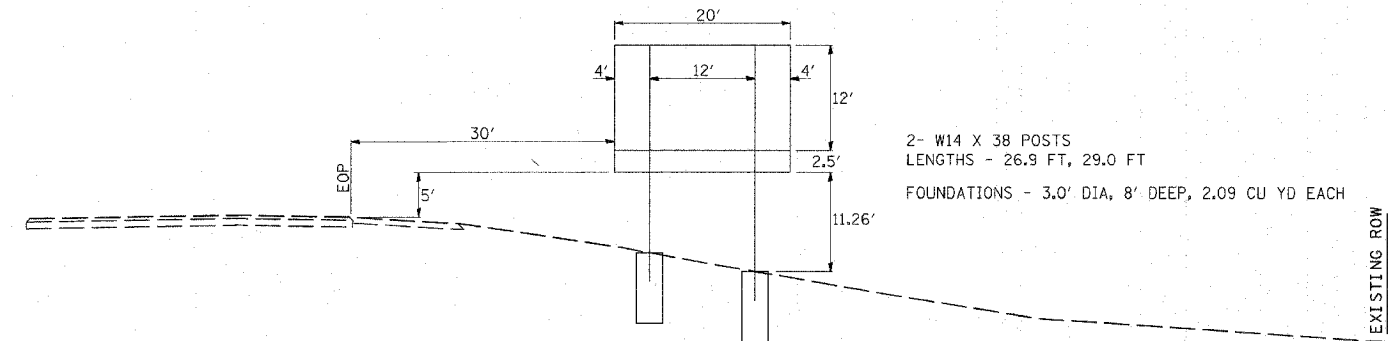


8.0" Radius, 1.0" Border, White on Blue;
*SECOND RIGHT' E Mod 2K;

Table of letter and object lefts.

S	E	C	O	N	D	R	I	G	H	T
64.1	74.8	83.8	95.9	104.5	116.4	133.9	143.8	149.1	168.6	188.6

DETAIL
SIGN #1 AND #2



EXISTING ROW

PLOT DATE = 03/23/2007 08:33 PM
FILE NAME = C:\WORK\2007\UNPAID\DOT RAMP\REVISED.dwg
PLOT SCALE = 5/8"=1'-0"
USER NAME = RL