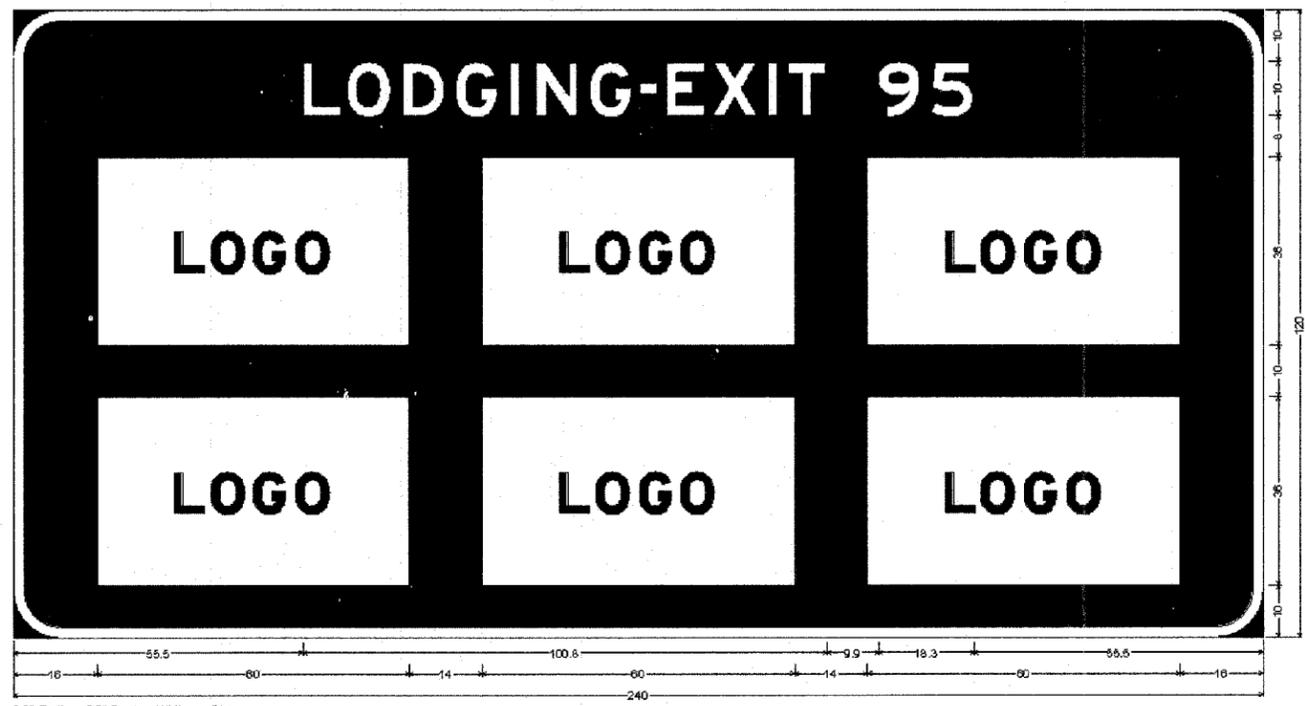


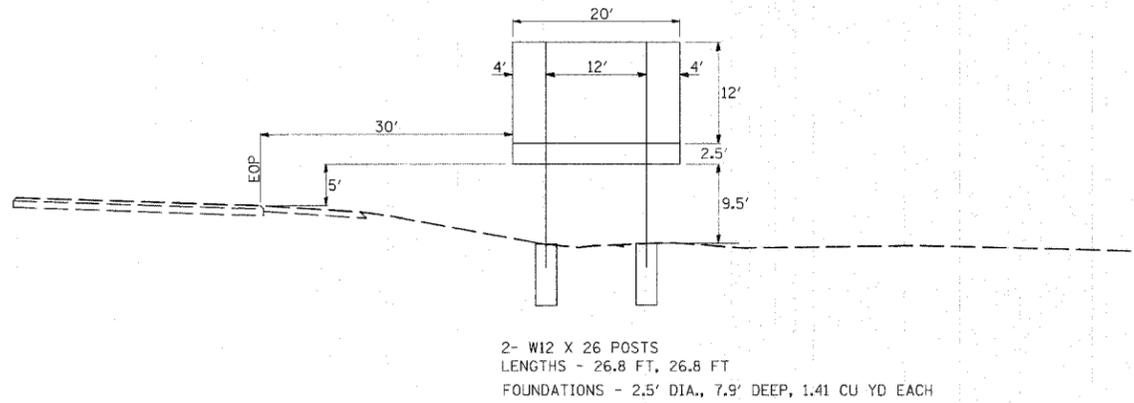
SIGN NO. 3
 STA 642+00 RT C 157/164
 &
 SIGN NO. 5
 STA 658+00 RT C 157/164



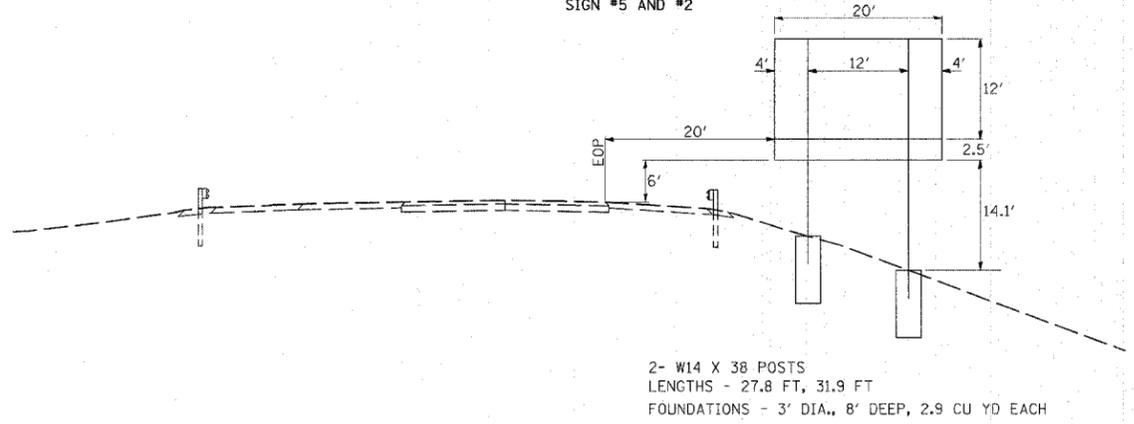
90° Radius, 2.0" Border, White on Blue;
 'LODGING-EXIT 95' E Mod 2K;
 Table of letter and object lifts.

L	O	D	D	I	N	G	-	E	X	I	T	9	5
55.5	64.1	74.9	85.0	95.5	100.3	110.3	120.3	125.4	134.3	145.0	148.8	166.3	176.4
16.0	90.0	184.0											
16.0	90.0	184.0											

DETAIL
SIGN #3 AND #2



DETAIL
SIGN #5 AND #2



PLOT DATE = 03/22/2007 02:33 PM
 PLOT SCALE = 50.0000 / IN.
 USER NAME = RL