

SIGN NO. 6
 STA 666+00 RT C I57/I64
 &
 SIGN NO. 8
 STA 682+00 RT C I57/I64

F.A.I. SECTION	COUNTY	TOTAL SHEETS	SHEET NO.
57/64 (4)-3/HBK	JEFFERSON	518	243
STA. TO STA.			
FED. ROAD DIST. NO.		ILLINOIS FED. AID PROJECT	

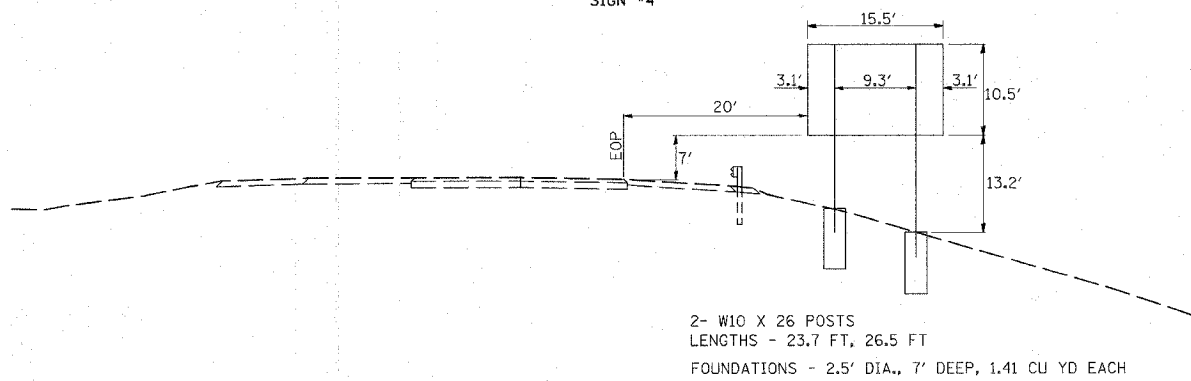
SIGN NO. 4
 STA 650+00 RT C I57/I64



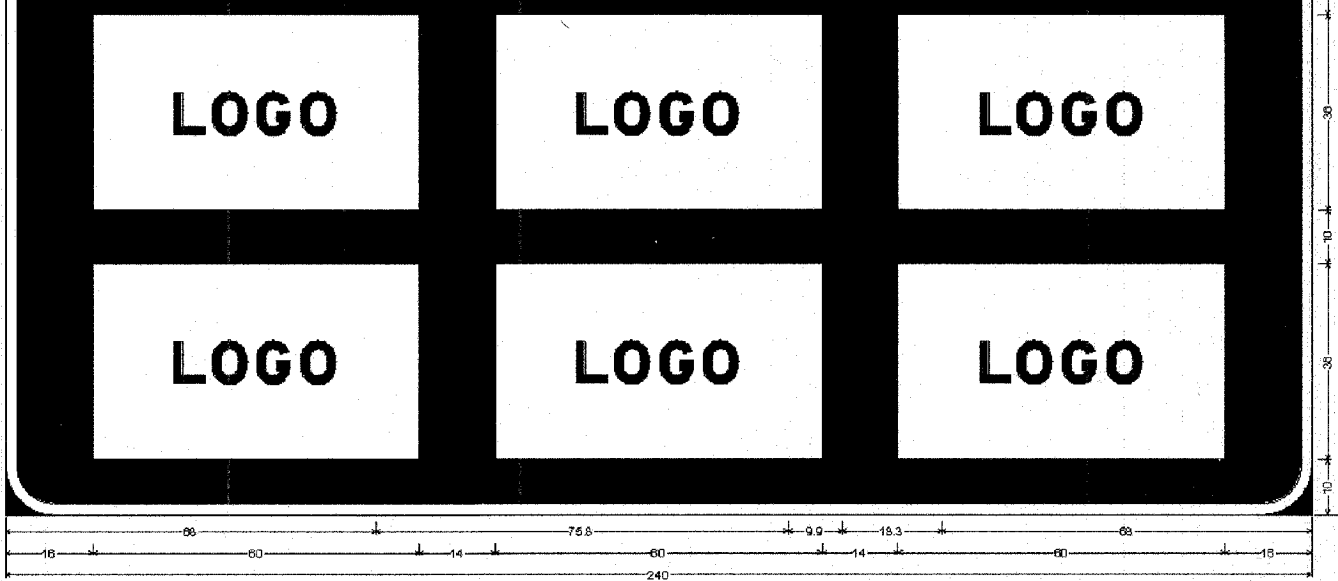
9.0" Radius, 2.0" Border, White on Green;
 "EXIT" E Mod 2K; "94" E Mod 2K;
 12.0" Radius, 2.0" Border, White on Green;
 "Veterans" E Mod 2K; "Memorial Dr" E Mod 2K; "1" E Mod 2K; "MILE" E Mod 2K;
 Table of widths and spaces.

95.1	7.5	1.4	8.6	2.1	2.0	1.9	7.4	15.0	12.1	2.0	13.9	17.0								
37.3	14.6	2.5	10.5	3.2	9.3	3.5	10.6	5.0	8.0	2.4	10.5	4.8	10.5	37.3						
15.6	14.9	4.0	10.8	5.0	17.5	5.0	10.9	5.0	8.0	3.8	3.1	5.0	10.6	6.4	3.3	15.9	13.0	4.8	8.0	15.6
66.6	4.5	15.0	9.3	2.8	2.0	2.8	7.4	1.6	7.4	6.6										

DETAIL SIGN #4



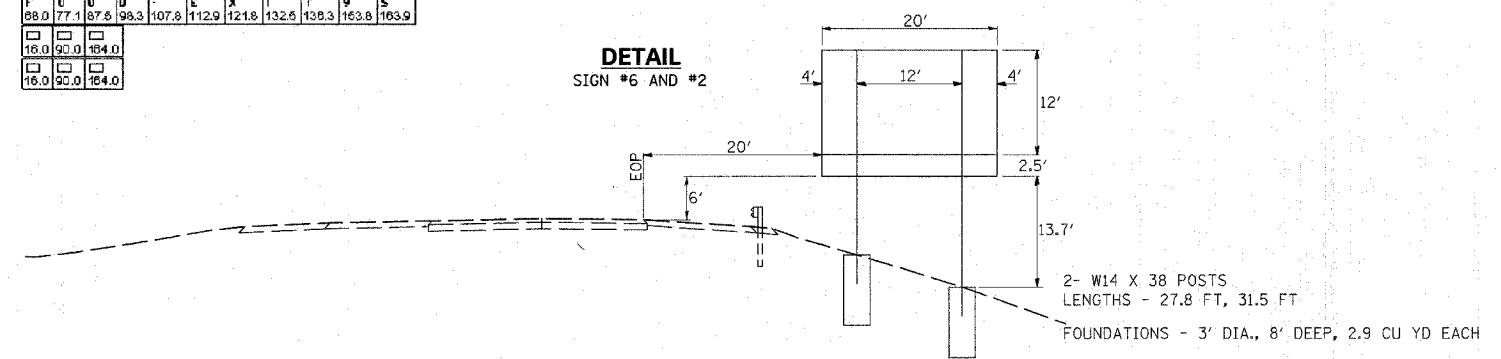
FOOD-EXIT 95



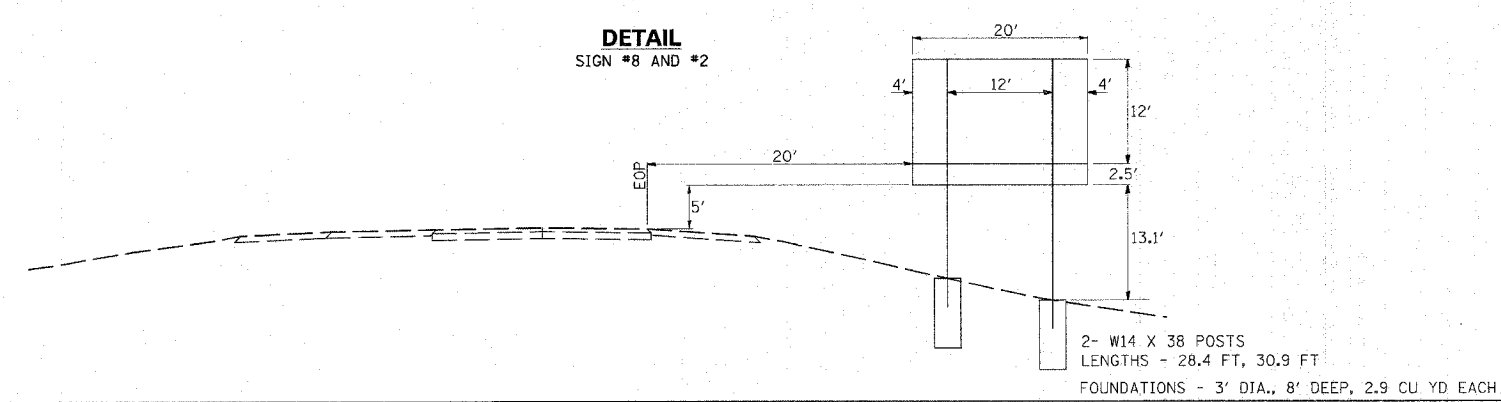
9.0" Radius, 2.0" Border, White on Blue;
 "FOOD-EXIT 95" E Mod 2K;
 Table of letter and object lefts.

F	O	O	D	-	E	X	I	T	9	5
68.0	77.1	87.8	98.3	107.8	112.9	121.8	132.5	138.3	163.8	163.9
16.0	90.0	104.0								
16.0	90.0	104.0								

DETAIL SIGN #6 AND #2



DETAIL SIGN #8 AND #2



PLOT DATE = 03/22/2007, 02:33 PM
 FILE NAME = I:\58\jms\98250\9A.DOT RMP5 views\sdm32
 USER NAME = JLT