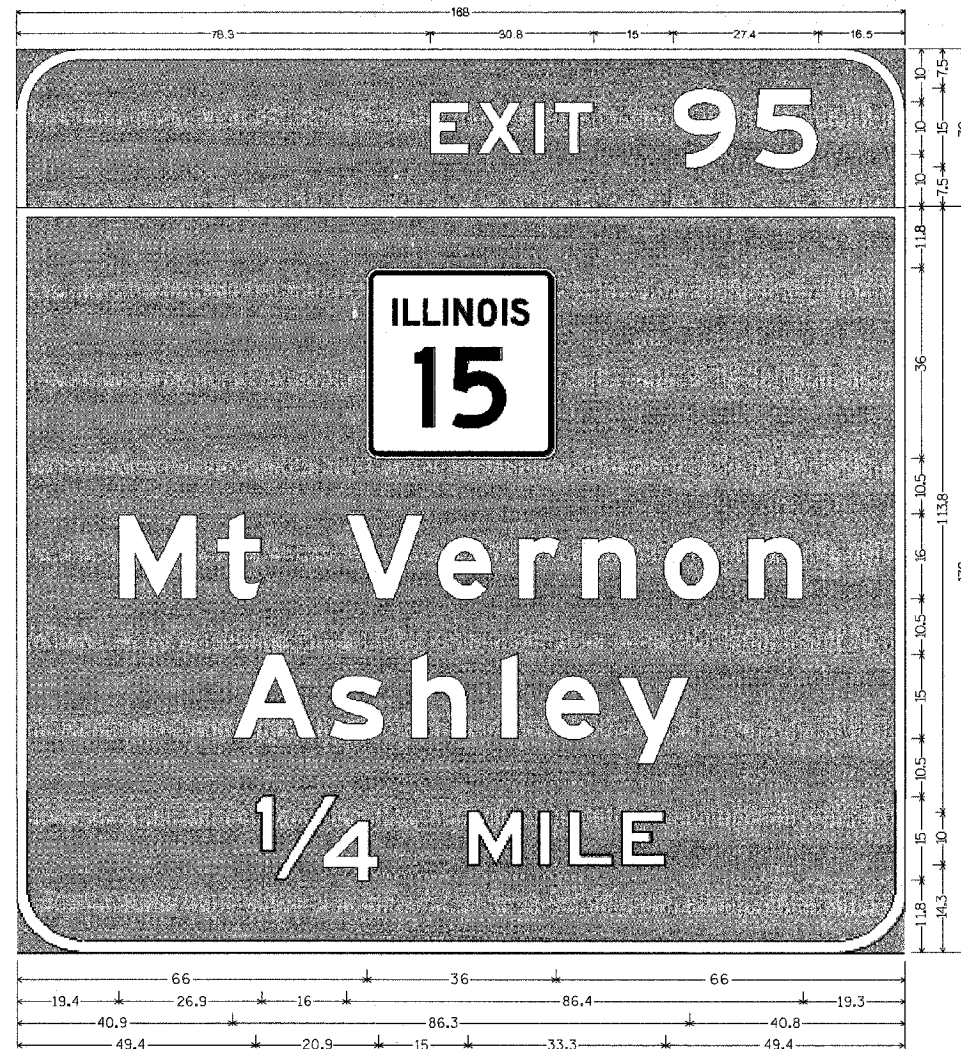


F.A.I. RTE.	SECTION	COUNTY	TOTAL SHEETS NO.	SHEET NO.
57/64	(41-3)HBK	JEFFERSON	518	249
STA.		TO STA.		
FED. ROAD DIST. NO.		ILLINOIS FED. AID PROJECT		

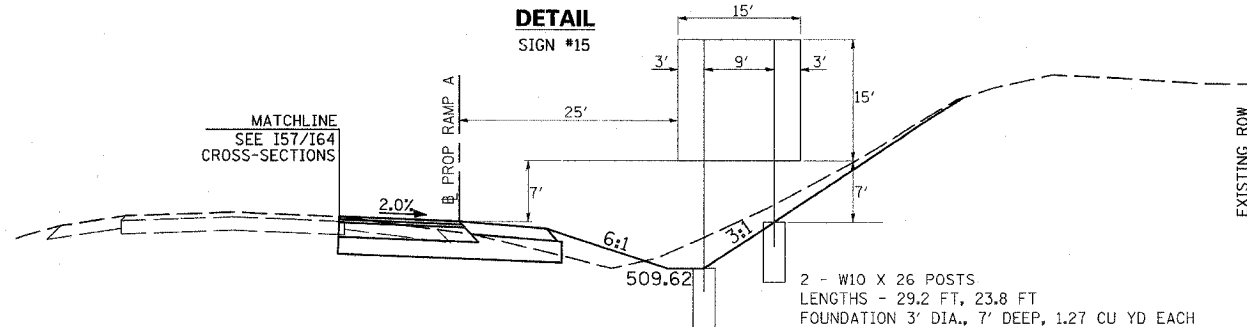
SIGN NO. 15
STA 322+00 RT RAMP A



12.0" Radius, 2.0" Border, White on Green;
 "EXIT" E Mod 2K; "95" E Mod 2K;
 12.0" Radius, 2.0" Border, White on Green;
 "Mt Vernon" E Mod 2K; "Ashley" E Mod 2K; "1/4" E Mod 2K; "MILE" E Mod 2K;
 Table of widths and spaces.

E	X	I	T	P	S
76.3	7.4	1.4	5.6	2.1	2.0
1.9	7.4	15.0	12.1	3.1	12.3
16.4					
86.0	36.0	86.0			
M	t	V	e	r	n
19.4	14.9	3.6	3.4	16.0	14.6
2.5	10.5	5.0	3.0	3.9	10.5
5.0	10.9	4.8	10.5	19.4	
A	s	h	l	e	y
40.9	16.1	2.1	10.6	5.0	10.5
8.4	3.3	4.9	10.5	3.3	13.5
140.9					
1/4	M	I	L	E	
48.1	20.9	15.0	9.4	2.6	1.9
2.9	7.4	1.5	7.4	48.3	

DETAIL
SIGN #15



2 - W10 X 26 POSTS
 LENGTHS - 29.2 FT, 23.8 FT
 FOUNDATION 3' DIA., 7' DEEP, 1.27 CU YD EACH

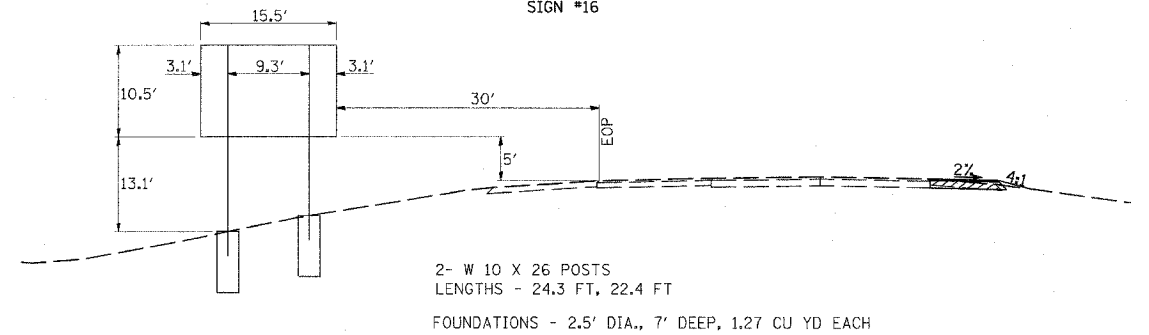
SIGN NO. 16
STA 759+00 LT I57/I64



9.0" Radius, 2.0" Border, White on Green;
 "EXIT" E Mod 2K; "94" E Mod 2K;
 9.0" Radius, 2.0" Border, White on Green;
 "Veterans" E Mod 2K; "Memorial Dr" E Mod 2K; "1/4" E Mod 2K; "MILE" E Mod 2K;
 Table of letter and object lefts.

E	X	I	T	P	S
95.8	104.5	115.4	119.1	141.5	156.9
V	e	t	e	r	a
37.3	54.4	88.1	60.1	95.6	106.0
123.0	136.3				
M	e	m	o	r	i
15.6	34.5	50.0	72.6	88.5	100.3
108.5	125.4	144.8	162.4		
1/4	M	I	L	E	
58.4	34.4	106.4	111.3	120.3	

DETAIL
SIGN #16



2 - W 10 X 26 POSTS
 LENGTHS - 24.3 FT, 22.4 FT
 FOUNDATIONS - 2.5' DIA., 7' DEEP, 1.27 CU YD EACH

PLOT DATE = 8/31/2007 10:45 AM
 FILE NAME = I:\projects\162\162.dwg
 USER NAME = hnt