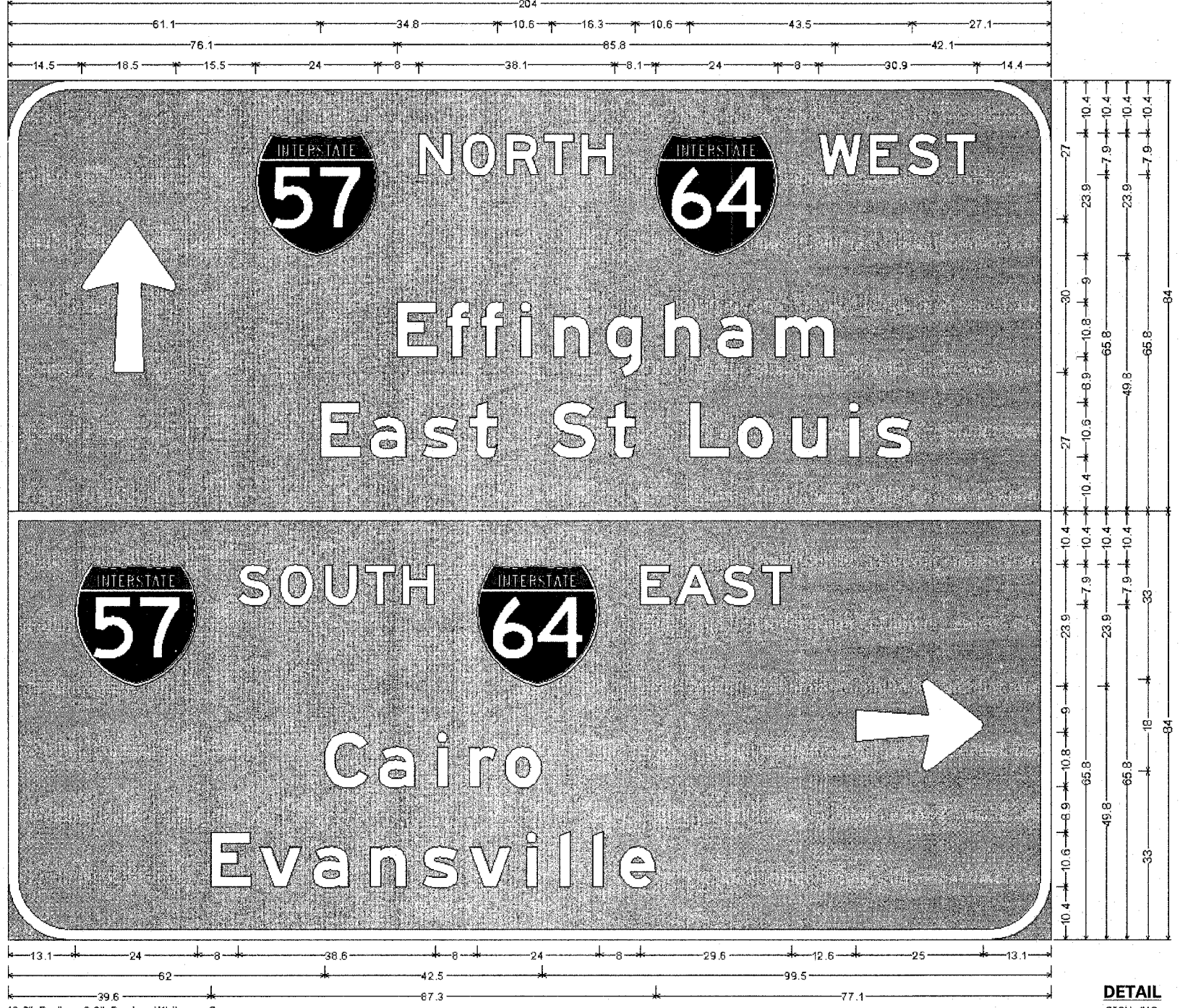


F.A.I. RTE.	SECTION	COUNTY	TOTAL SHEETS	SHEET NO.
57/64	(41-3)HKB	JEFFERSON	18	251
STA.		TO STA.		
FED. ROAD DIST. NO.		ILLINOIS FED. AID PROJECT		

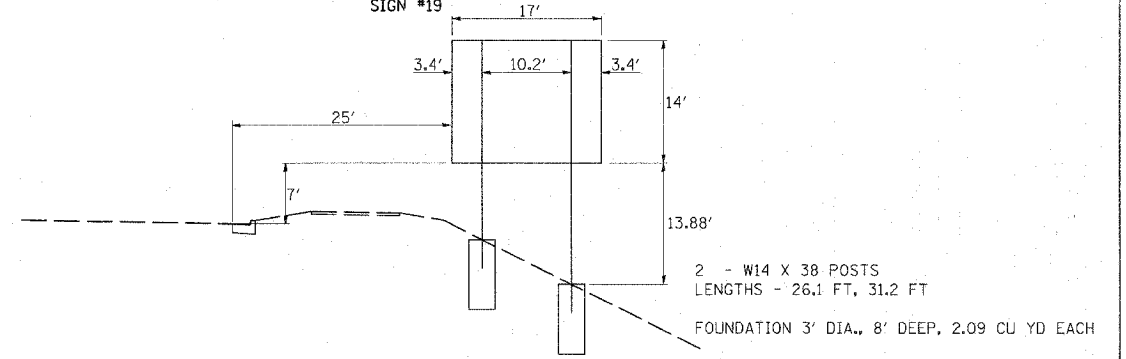
SIGN NO. 19
STA 43+00 RT Q VETERANS MEMORIAL DR



12.0" Radius, 2.0" Border, White on Green;
"NORTH" E Mod 2K; "WEST" E Mod 2K; "Effingham" E Mod 2K; "East St Louis" E Mod 2K;
12.0" Radius, 2.0" Border, White on Green;
"SOUTH" E Mod 2K; "EAST" E Mod 2K; "Cairo" E Mod 2K; "Evansville" E Mod 2K;
Table of letter and object lefts.

Q	N	O	N	T	H	W	E	S	T		
14.5	48.5	80.5	88.9	97.5	104.9	112.3	126.6	158.6	168.6	176.0	183.6
E	r	f	i	n	g	h	a	m			
76.1	85.9	92.6	100.4	106.8	117.1	128.5	138.8	150.1			
E	a	s	t	S	t	L	o	u	i	s	
61.1	71.0	81.1	90.3	106.5	117.3	133.5	142.8	153.3	164.6	169.9	
S	O	U	T	H	E	A	S	T			
13.1	45.1	53.3	61.9	69.9	77.3	91.8	123.8	130.5	139.8	147.5	165.9
C	a	i	r	o							
62.0	72.6	84.0	90.4	97.3							
E	v	a	n	s	v	i					
39.6	49.3	59.6	70.9	81.1	90.3	101.5	108.0	114.4	119.8		

DETAIL
SIGN #19



PLOT DATE = 03/21/2007 10:15 AM
 FILE NAME = 041-3HKB(1)S19(1)1.DWG
 PLOT SCALE = 5/8" = 1'-0"
 USER NAME = ket