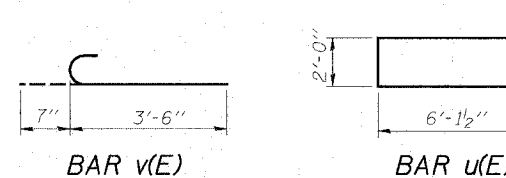
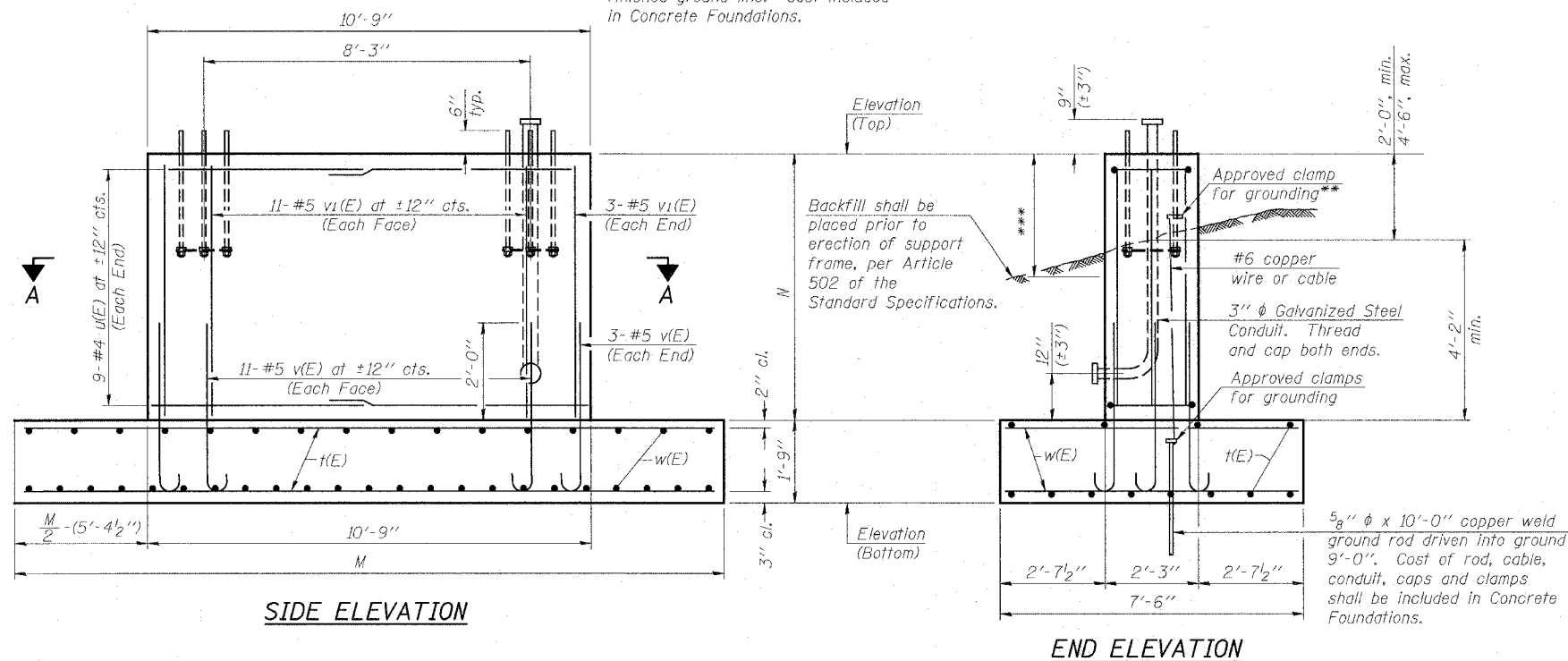


F.A.I. RTE.	SECTION	COUNTY	TOTAL SHEETS	SHEET NO.
57/64	(41-3)HBK	JEFFERSON		262
STA.		TO STA.		
FED. ROAD DIST. NO.		ILLINOIS FED. AID PROJECT		

For anchor rod size and placement, see Support Frame Detail Sheet.

** Anchor rod shall be ground or filed to bright metal at clamp and cable connection location.

*** A normal surface finish followed by a Bridge Seat Sealer application will be required on concrete surfaces above the lowest elevation 6" below finished ground line. Cost included in Concrete Foundations.

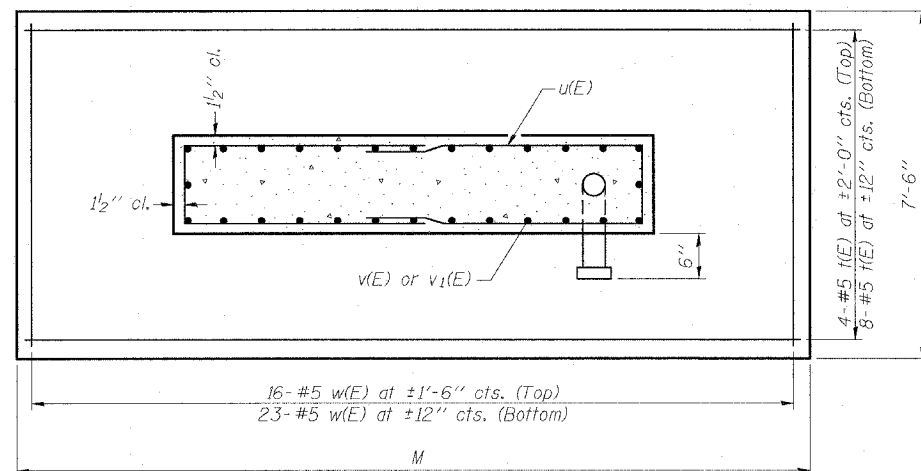


BAR LIST - EACH FOUNDATION

Bar	Number	Size	Length	Shape
t(E)	12	#5	*	—
u(E)	18	#4	14'-3"	—
v(E)	28	#5	4'-1"	C
v1(E)	28	#5	*	—
w(E)	39	#5	7'-3"	—

*Length of t(E) bar = (Dim. M) - 6"
v1(E) bar = (Dim. N) - 3"

5/8" φ x 10'-0" copper weld ground rod driven into ground 9'-0". Cost of rod, cable, conduit, caps and clamps shall be included in Concrete Foundations.



SECTION A-A

Structure Number	Station	Left Foundation				Right Foundation				Class SI Concrete (Cu. Yds.)
		Elevation Top	Elevation Bottom	N	M	Elevation Top	Elevation Bottom	N	M	
9S041I057R093.3	700+50	498.95	488.20	9'-0"	21'-6"	499.78	489.03	9'-0"	21'-6"	37.0
9S041I057L094.0	740+40	515.30	504.55	9'-0"	21'-6"	513.50	502.75	9'-0"	21'-6"	37.0

Note:

The Foundation dimensions shown are based on the presence of mostly cohesive soils with an average Unconfined Compressive Strength (Qu) of at least 1.0 tsf, which must be determined by previous soil investigations at the jobsite. When other conditions are indicated, the boring data will be included in the plans and the foundation dimensions shown will be the result of site specific designs.

During construction, if footing length or width or wall height change by more than 12", or if reinforcement is changed, "as-built" plans shall be prepared and submitted to the District Bureau of Operations for future reference.

NUMBER	REVISION	DATE

DETAILS FOR 10" φ SUPPORT FRAME

REVISIONS		ILLINOIS DEPARTMENT OF TRANSPORTATION
NAME	DATE	
		OVERHEAD SIGN STRUCTURES SPREAD FOOTING DETAILS
SCALE: VERT. NONE HORIZ.	DRAWN BY	DATE CHECKED BY