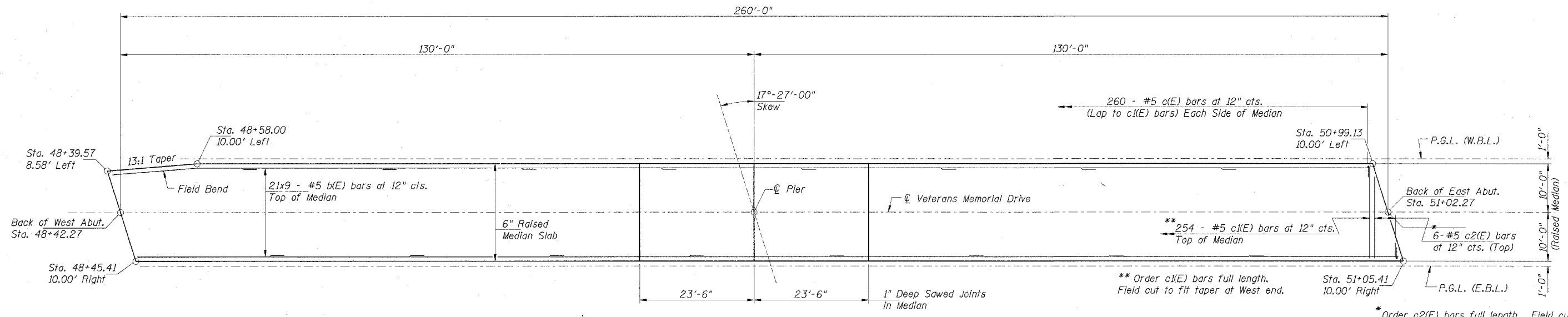


F.A.I. RTE.	SECTION	COUNTY	TOTAL SHEETS	SHEET NO.
57/64	(41-3)HBK	JEFFERSON	518	279
STA.		TO STA.		
FED. ROAD DIST. NO.	ILLINOIS FED. AID PROJECT	CONTRACT NO. 98963		

Sheet 9 of 25

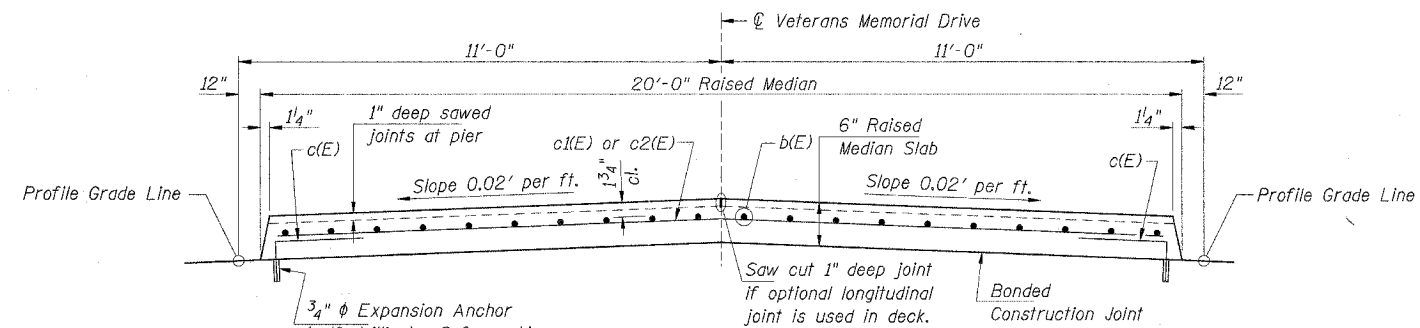


RAISED MEDIAN PLAN

\*\* Order c1(E) bars full length. Field cut to fit taper at West end.

\* Order c2(E) bars full length. Field cut to fit skew at East end and use remainder of bars in West end and field cut to fit taper.

BAR LAPS  
#5 = 2'-2"



SECTION THRU RAISED MEDIAN  
(Looking Upstation)

Note:  
The cost of Expansion Anchors (self-drilling) is included in the cost of "Reinforcement Bars, Epoxy Coated".

Note:  
The cost of 1" deep sawed joints is included with the cost of "Concrete Superstructure".

RAISED MEDIAN DETAILS  
VETERANS MEMORIAL DR. over F.A.I. ROUTES 57/64  
SECTION (41-3)HBK  
JEFFERSON COUNTY  
STATION 49+72.27  
STRUCTURE NO. 041-0108

March 2007 Submit for  
 LAYOUT WMM 03/12/07  
 DRAWN DHB 03/12/07  
 REVIEWED / /  
 03-21-2007 10:44 AM  
 I:\98\proj\041-0108\Struct\Sheet\Thru Plans 03-18-04\F-009.dwg