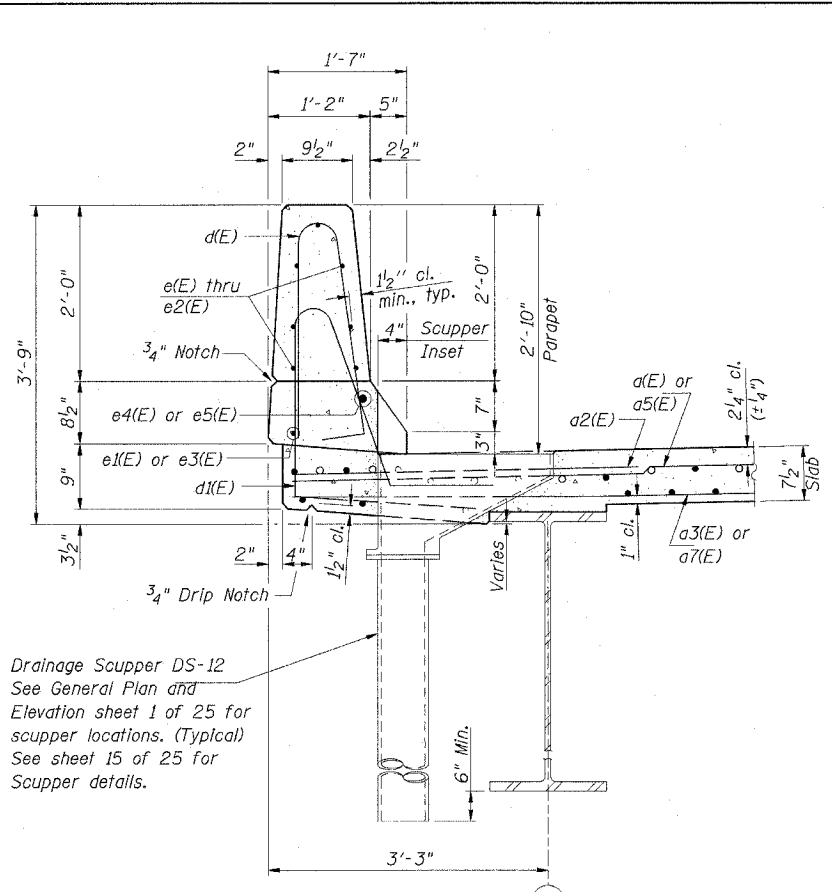
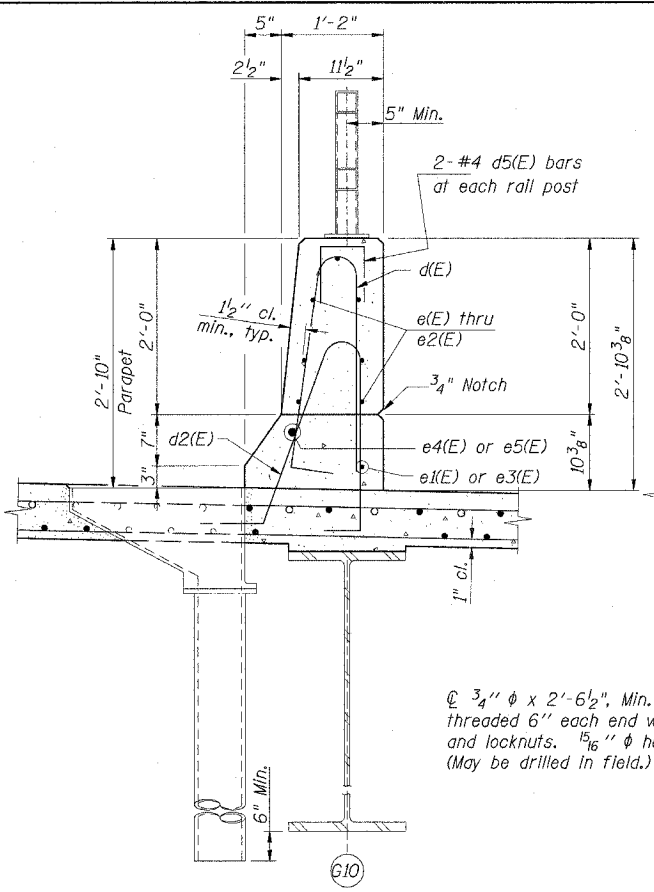


SUPERSTRUCTURE BILL OF MATERIAL

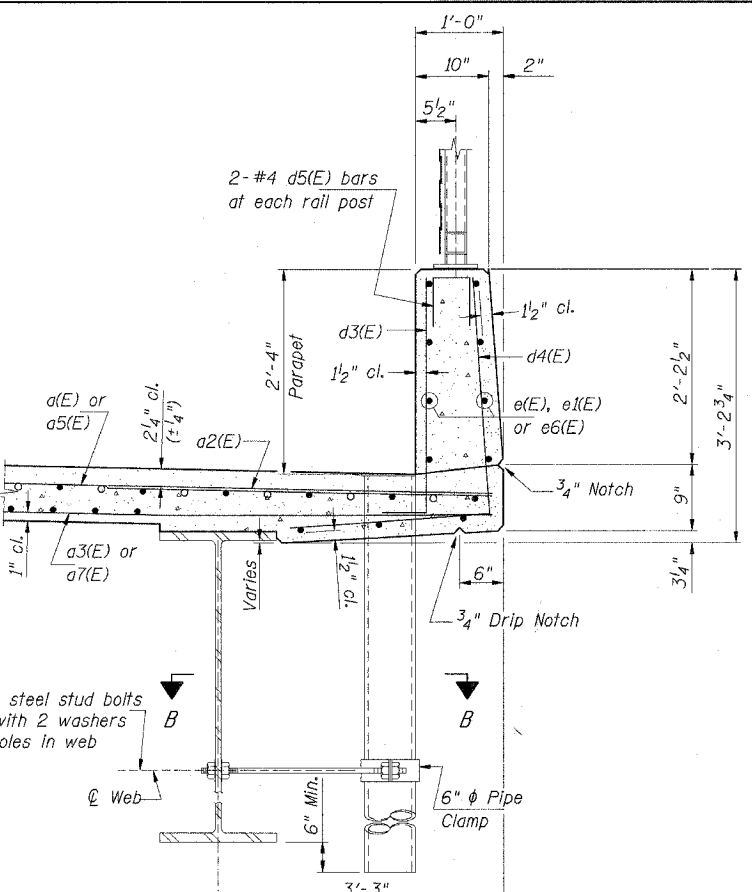
Bar	No.	Size	Length	Shape
a(E)	1090	#5	32'-7"	—
a1(E)	549	#5	26'-8"	—
a2(E)	566	#6	6'-0"	—
a3(E)	754	#5	27'-10"	—
a4(E)	374	#5	34'-10"	—
a5(E)	40	#5	34'-1"	—
a6(E)	17	#5	27'-6"	—
a7(E)	24	#5	28'-10"	—
a8(E)	14	#5	35'-10"	—
a9(E)	12	#5	31'-6"	—
a10(E)	56	#5	2'-0"	—
b(E)	999	#5	30'-10"	—
b1(E)	264	#6	31'-1"	—
b2(E)	864	#5	29'-5"	—
b3(E)	96	#5	14'-9"	—
c(E)	520	#5	1'-3"	└
c1(E)	254	#5	19'-6"	—
c2(E)	6	#5	19'-1"	—
d(E)	568	#5	5'-7"	└
d1(E)	284	#5	7'-10"	└
d2(E)	284	#5	6'-9"	└
d3(E)	260	#6	3'-2"	└
d4(E)	260	#4	4'-10"	└
d5(E)	108	#4	2'-0"	└
e(E)	242	#4	17'-5"	—
e1(E)	48	#4	23'-2"	—
e2(E)	14	#4	17'-0"	—
e3(E)	16	#4	28'-0"	—
e4(E)	16	#8	30'-1"	—
e5(E)	4	#8	23'-2"	—
e6(E)	8	#4	17'-1"	—
m(E)	12	#6	31'-11"	—
m1(E)	18	#6	32'-7"	—
m2(E)	44	#6	11'-4"	—
m3(E)	20	#6	8'-3"	—
m4(E)	4	#6	2'-10"	—
s(E)	152	#5	6'-9"	└
s1(E)	152	#4	13'-7"	└
v(E)	174	#5	3'-4"	└
Reinforcement Bars, Epoxy Coated Concrete Superstructure	Pound	195970		
	Cu. Yds.	814.5		



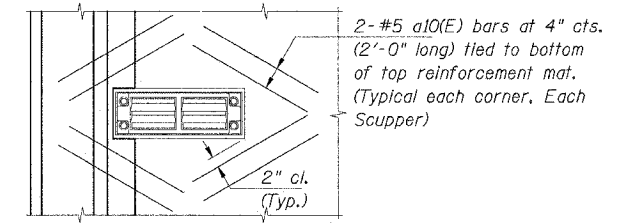
SECTION THRU PARAPET
(Exterior Parapet at Roadway)



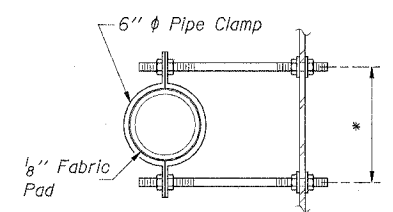
SECTION THRU PARAPET
(Parapet Between Roadway & Walkway)



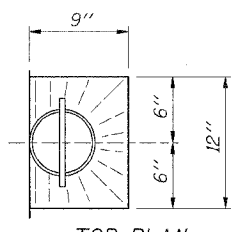
SECTION THRU PARAPET
(Exterior Parapet at Walkway)



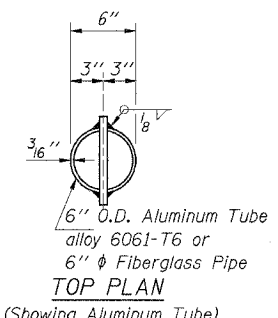
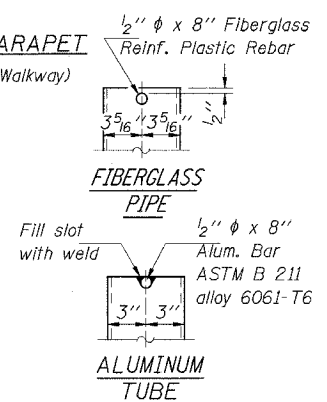
PARTIAL PLAN - SCUPPERS
Inset Scuppers at North Parapet shown, flush mounted South Parapet Scuppers similar.



SECTION B-B
* Dimension as required by Pipe Clamp

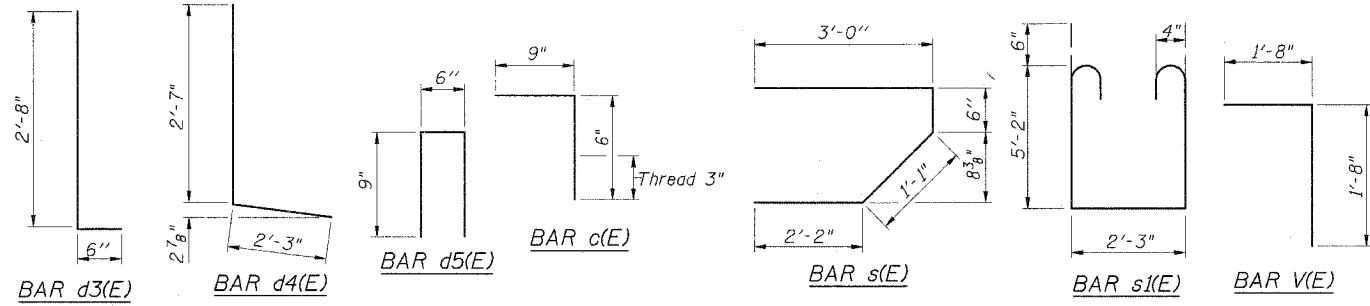
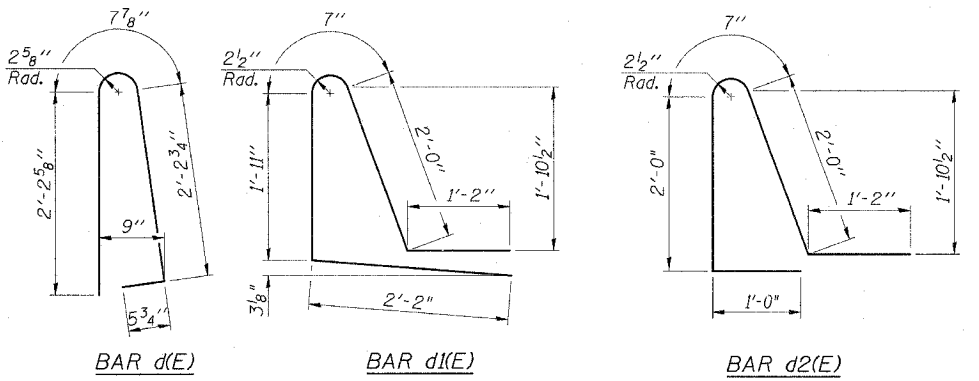


TOP PLAN



TOP PLAN
(Showing Aluminum Tube)

Notes:
The exterior surfaces of the floor drains shall be painted with the finish coat as specified in the special provisions for Cleaning and Painting New Metal Structures. The exterior surfaces of the drains shall be cleaned according to Steel Structures Painting Council's Spec. SSPC-SP1 prior to painting. Fiberglass pipe shall conform to ASTM D 2996, with short-time rupture strength hoop tensile stress of 30,000 p.s.i. minimum. Drains shall be located clear of all cross frames.



SUPERSTRUCTURE DETAILS
VETERANS MEMORIAL DR. over F.A.I. ROUTES 57/64
SECTION (41-3)HBK
JEFFERSON COUNTY
STATION 49+72.27
STRUCTURE NO. 041-0108

March 2007 Submit to
LAYOUT: WMM 03/12/07
DRAWN: DAB 03/12/07
REVIEWED: J. J.
GPP 02/02/04
PMP 02/02/04
TEH 02/02/04