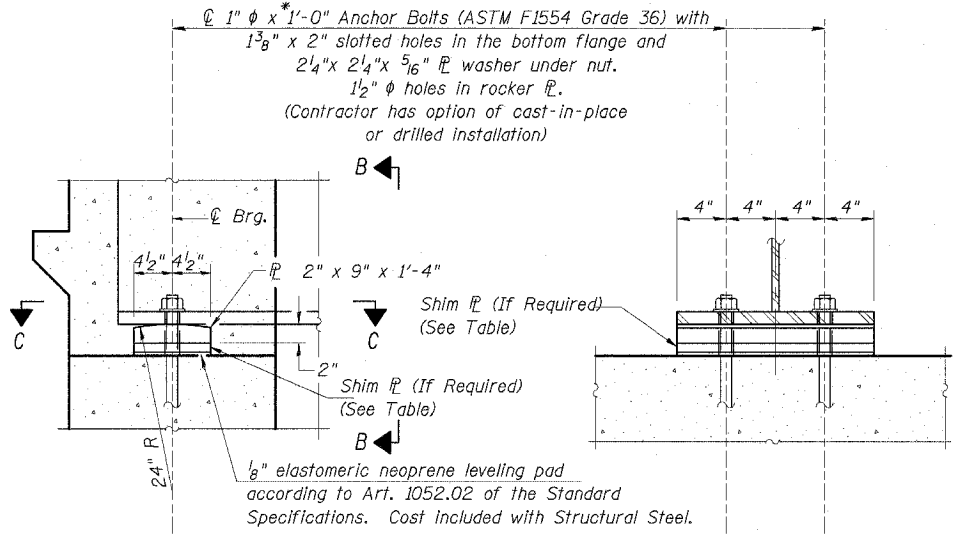


F.A.I. RTE.	SECTION	COUNTY	TOTAL SHEETS	SHEET NO.
57/64	(41-3)HBK	JEFFERSON	518	288
STA.	TO STA.			
FED. ROAD DIST. NO.	ILLINOIS	FED. AID PROJECT		

CONTRACT NO. 98963
Sheet 18 of 25

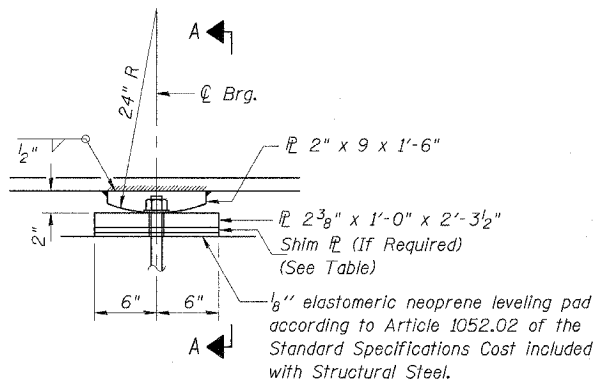


ELEVATION AT ABUTMENT

SECTION B-B

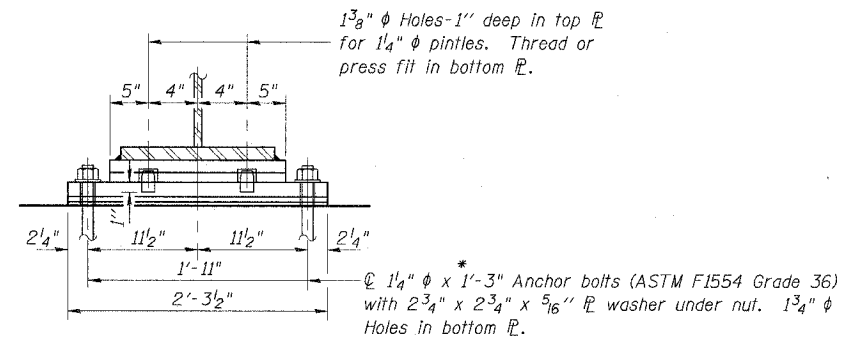
FIXED ABUTMENT BEARINGS

* Length shown is the required total length for cast-in-place headed anchor bolts. The required total length for the sealed capsule alternate anchor bolt shall be according to the manufacturer's recommendations.

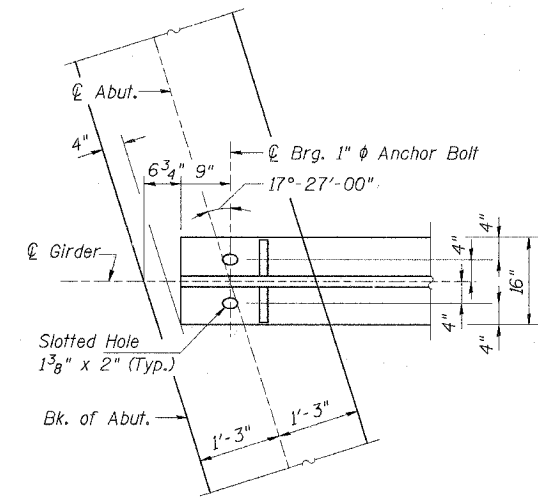


ELEVATION AT PIER

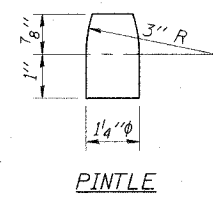
FIXED PIER BEARINGS



SECTION A-A



SECTION C-C

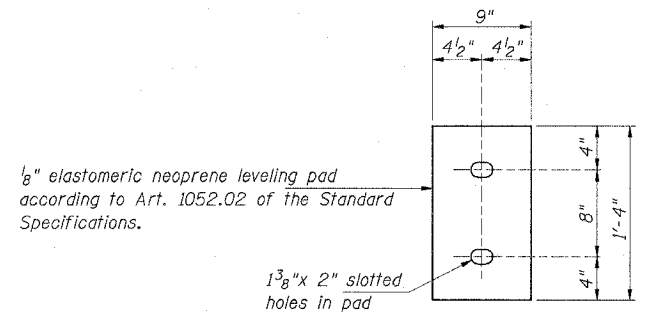


PINTLE

Notes:
Two 1/8 in. adjusting shims shall be provided for each bearing in addition to all other plates or shims and placed as shown on bearing details.
Anchor bolts shall be ASTM F1554 all-thread (or an Engineer-approved alternate material) of the grade(s) and diameter(s) specified. ASTM A307 Grade C anchor bolts may be used in lieu of ASTM F1554 Grade 36 (Fy=36ksi). The corresponding specified grade of AASHTO M314 anchor bolts may be used in lieu of ASTM F1554.
Anchor bolts at fixed bearings may be either cast in place or installed in holes drilled after the supported member is in place.
Drilled and set anchor bolts shall be installed according to Article 521.06 of the Standard Specifications.
The anchor bolts, furnished and installed and including the epoxy capsules shall not be paid for separately but shall be included in the unit bid price for Furnishing and Erecting Steel.
All bearing plates, pintles and shim plates shall conform to the requirements of AASHTO M270, Grade 50.

SHIM TABLE

Girder Location	#5
West Abut.	3/8"



PLAN-ELASTOMERIC NEOPRENE LEVELING PAD (At Abutments)

BEARING DETAILS
VETERANS MEMORIAL DR. over F.A.I. ROUTES 57/64
SECTION (41-3)HBK
JEFFERSON COUNTY
STATION 49+72.27
STRUCTURE NO. 041-0108

© Copyright Hanson Professional Services Inc. 2007
JOB NO. 98S2019A
DATE 03-14-07

March 2007 Submittal
LAYOUT: MMW 03/15/07
DRAWN: DMB 03/17/07
REVIEWED: JF 3/17/07
GSR 02/02/04
DIP 02/02/04
TEH 02/02/04
03/29/2007 10:49 AM
I:\98\Jobs\982019A\Struct\Sheet\Final\Plans 03-14-07\041-0108.dwg