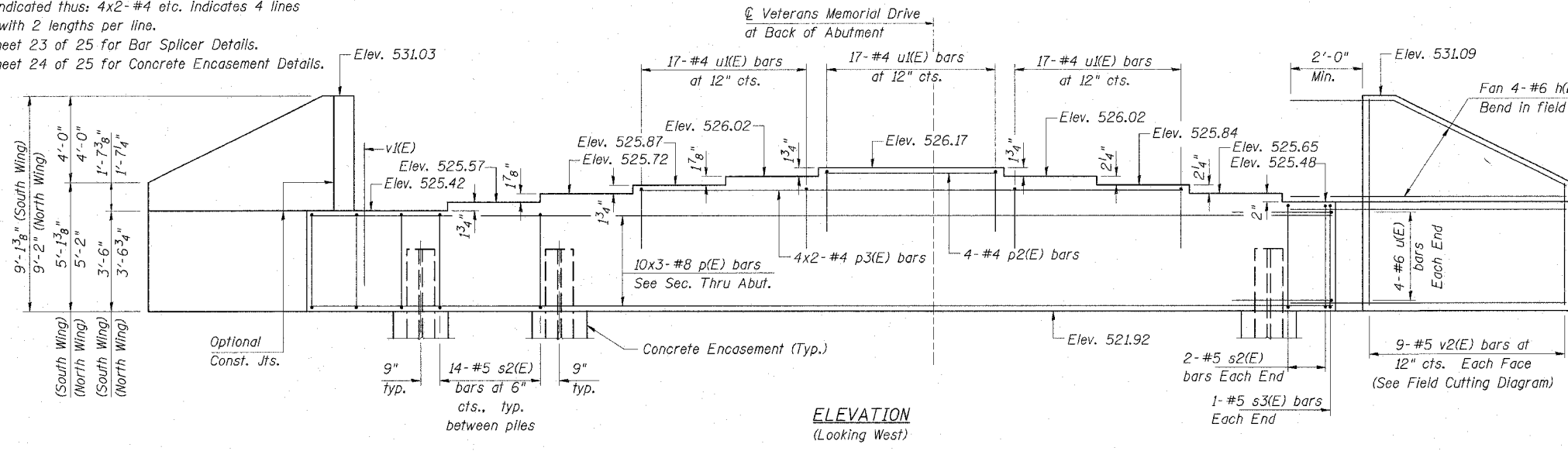
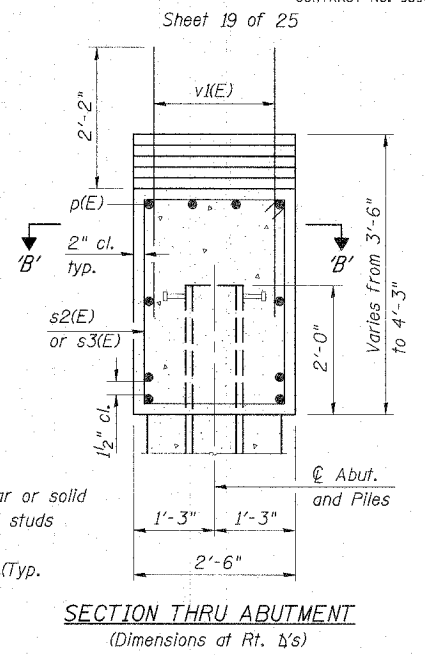


F.A.I. RTE.	SECTION	COUNTY	TOTAL SHEETS	SHEET NO.
57/64	(41-3)HBK	JEFFERSON	518	289
STA.	TO STA.			
FED. ROAD DIST. NO.	ILLINOIS FED. AID PROJECT			
CONTRACT NO. 98963				

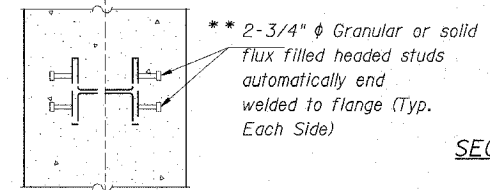
Notes:
 Pour steps monolithically with cap.
 Space reinforcement in cap to miss anchor bolts.
 Bars indicated thus: 4x2-#4 etc. Indicates 4 lines of bars with 2 lengths per line.
 See sheet 23 of 25 for Bar Splicer Details.
 See sheet 24 of 25 for Concrete Encasement Details.



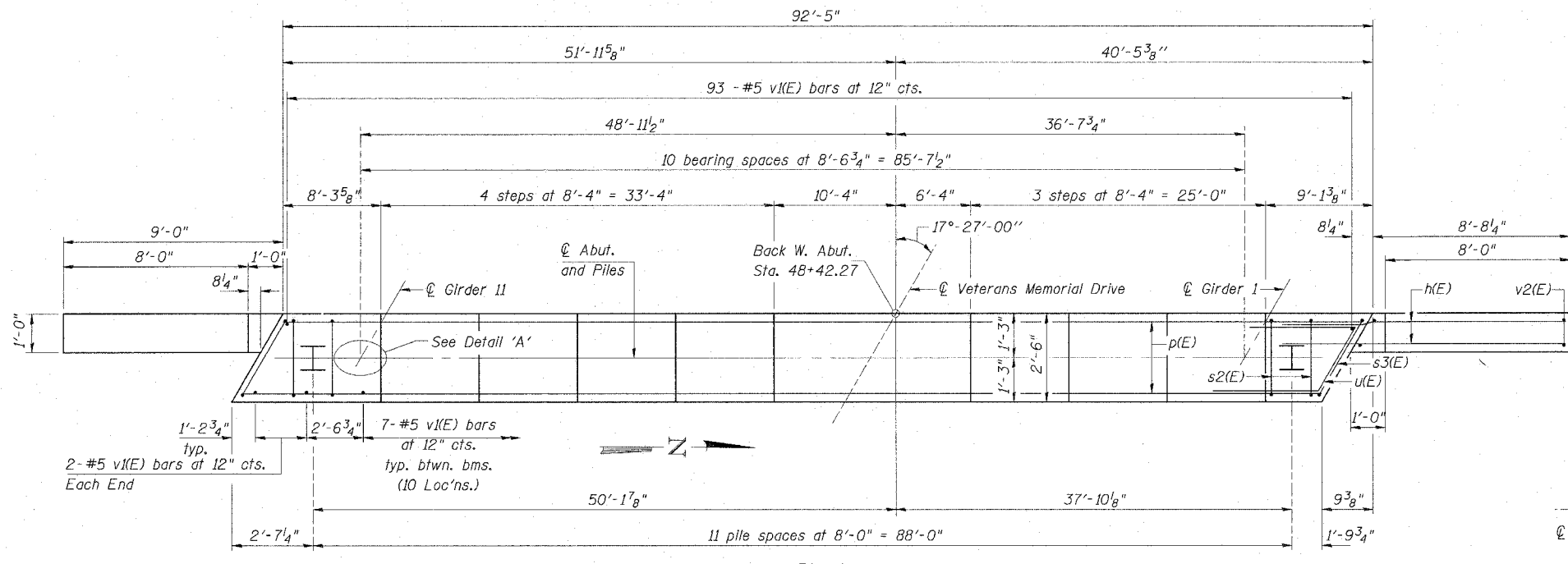
ELEVATION
(Looking West)



SECTION THRU ABUTMENT
(Dimensions at Rt. Δ's)



SECTION B-B
 ** Cost Included with "Furnishing Steel Piles HP 12x84".

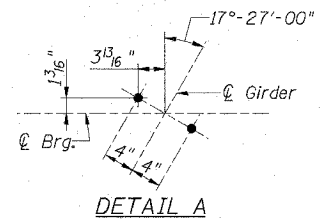


PLAN

BILL OF MATERIAL

Bar	No.	Size	Length	Shape
h(E)	36	#6	12'-0"	—
p(E)	30	#8	34'-1"	—
p1(E)	8	#4	25'-10"	—
p2(E)	4	#4	16'-4"	—
s2(E)	158	#5	11'-7"	□
s3(E)	2	#5	11'-9"	□
u(E)	8	#6	11'-2"	—
u1(E)	51	#4	6'-6"	—
v1(E)	167	#5	4'-4"	—
v2(E)	18	#5	13'-5"	—
Concrete Structures			Cu. Yd.	37.9
Reinforcement Bars, Epoxy Coated			Pound	6860
Structure Excavation			Cu. Yd.	234
Furnishing Steel Piles HP12x84			Ft.	495
Driving Piles			Ft.	495
Test Pile Steel HP12x84			Each	1
Pile Shoes			Each	12
Concrete Encasement			Cu. Yd.	4.2

MIN. BAR LAPS
 #4 bar - 1'-11"
 #8 bar - 5'-1"

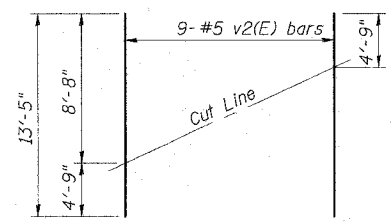


DETAIL A

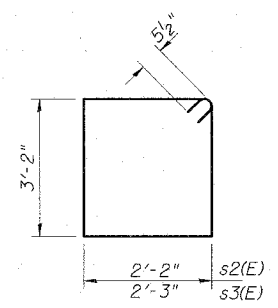
PILE DATA

Type:	Steel - HP12x84 (w/ Pile Shoes)
Nominal Required Bearing :	664 kips
Allowable Resistance Factor:	161 kips
Est. Length:	45 ft.
No. of Production Piles:	11
No of Test Piles:	1

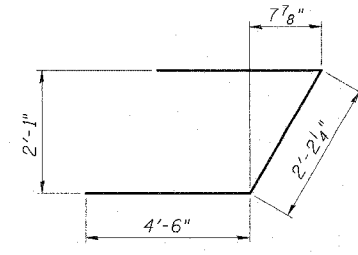
Piles shall be driven through 18 in. diameter precored holes extending to natural ground according to Article 512.09(c) of the Standard Specifications.
 Cost included in driving piles.



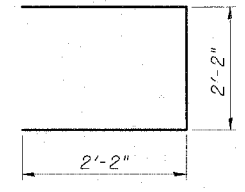
FIELD CUTTING DIAGRAM
 Order v2(E) full length. Cut as shown and use remainder of bars in opposite face.



BARS s2(E) & s3(E)



BAR u(E)



BAR v(E)

WEST ABUTMENT
 VETERANS MEMORIAL DR. over F.A.I. ROUTES 57/64
 SECTION (41-3)HBK
 JEFFERSON COUNTY
 STATION 49+72.27
 STRUCTURE NO. 041-0108

© Copyright Hanson Professional Services Inc. 2007

JOB NO. 9852019A
 DATE 03-14-07

March 2007 Submittal
 LAYOUT: MMW 02/12/07
 DRAWN: DAB 02/12/07
 REVIEWED: / / /
 GBR 02/02/04
 DAP 02/02/04
 TEH 02/02/04
 03/24/2007 10:50 AM
 I:\98\9852019A\Struct\Sheet\Title Plate 03-18.dwg P-016.dwg