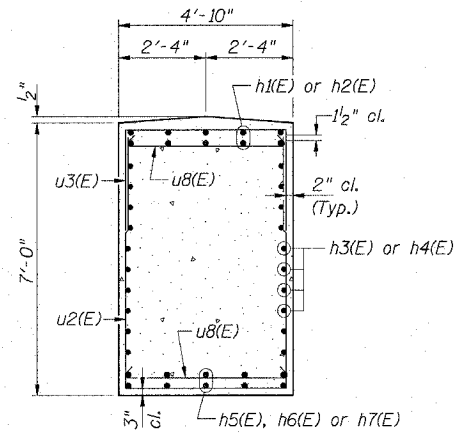
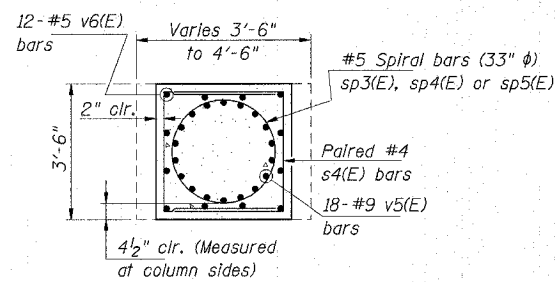


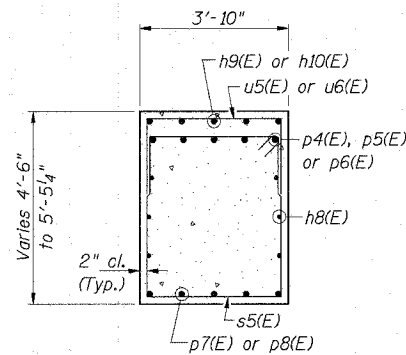
**SECTION A-A**



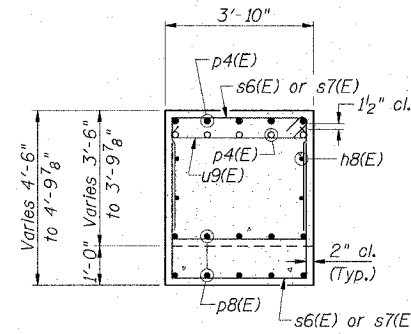
**SECTION B-B**



**SECTION C-C**



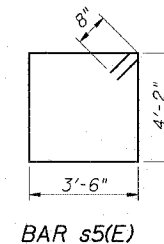
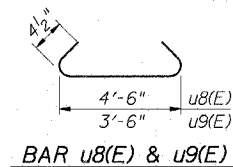
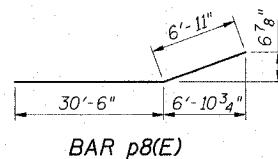
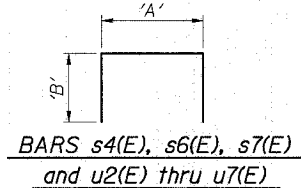
**SECTION D-D**



**SECTION E-E**

**A & B DIMENSIONS**

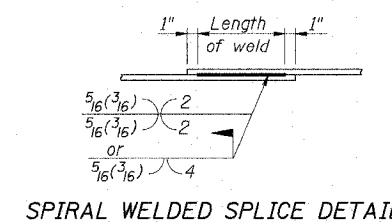
Bar	'A'	'B'
s4(E)	3'-2"	3'-2"
s6(E)	3'-6"	3'-5"
s7(E)	3'-6"	3'-2"
u2(E)	4'-6"	6'-7"
u3(E)	4'-6"	2'-7"
u4(E)	4'-0"	2'-7"
u5(E)	3'-6"	2'-8"
u6(E)	3'-6"	3'-1"
u7(E)	3'-4"	2'-7"



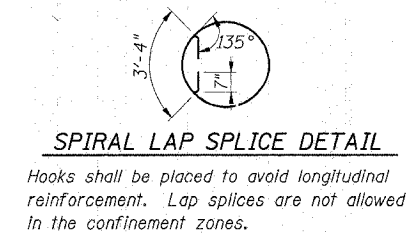
**BILL OF MATERIAL**

Bar	No.	Size	Length	Shape
h1(E)	10	#9	36'-10"	—
h2(E)	10	#9	48'-11"	—
h3(E)	20	#6	34'-1"	—
h4(E)	20	#6	46'-2"	—
h5(E)	10	#9	30'-9"	—
h6(E)	5	#9	32'-3"	—
h7(E)	10	#9	42'-10"	—
h8(E)	18	#8	33'-3"	—
h9(E)	5	#5	34'-0"	—
h10(E)	10	#5	35'-4"	—
p4(E)	20	#11	23'-11"	—
p5(E)	5	#9	27'-6"	—
p6(E)	5	#9	39'-7"	—
p7(E)	5	#9	32'-3"	—
p8(E)	10	#9	37'-5"	—
s4(E)	210	#4	9'-6"	—
s5(E)	155	#6	16'-8"	—
s6(E)	40	#6	10'-4"	—
s7(E)	40	#6	9'-10"	—
* sp1	7	#5	21'-4"	WWWWW
* sp2(E)	7	#5	5'-9"	WWWWW
* sp3(E)	7	#5	5'-9"	WWWWW
* sp4(E)	7	#5	14'-4"	WWWWW
* sp5(E)	7	#5	2'-0"	WWWWW
u2(E)	66	#6	17'-8"	—
u3(E)	66	#6	9'-8"	—
u4(E)	28	#6	9'-2"	—
u5(E)	34	#5	8'-10"	—
u6(E)	35	#5	9'-8"	—
u7(E)	8	#6	8'-6"	—
u8(E)	80	#4	5'-3"	—
u9(E)	22	#4	4'-3"	—
v4(E)	168	#9	27'-8"	—
v5(E)	126	#9	24'-2"	—
v6(E)	84	#5	17'-4"	—
Structure Excavation	Cu. Yd.		108	
Drilled Shaft in Soil	Cu. Yd.		68.4	
Drilled Shaft in Rock	Cu. Yd.		16.3	
Concrete Structures	Cu. Yd.		209.7	
Reinforcement Bars, Epoxy Coated	Pound		59570	
Reinforcement Bars	Pound		4970	

\* Length of spiral is equal to its required height.



**SPIRAL WELDED SPLICE DETAIL**



**SPIRAL LAP SPLICE DETAIL**

Hooks shall be placed to avoid longitudinal reinforcement. Lap splices are not allowed in the confinement zones.

PIER DETAILS (Sheet 2 of 2)  
 VETERANS MEMORIAL DR. over F.A.I. ROUTES 57/64  
 SECTION (41-3)HBK  
 JEFFERSON COUNTY  
 STATION 49+72.27  
 STRUCTURE NO. 041-0108

© Copyright Hanson Professional Services Inc. 2007

**HANSON**

JOB NO.  
98S2019A  
DATE  
03-14-07

March 2007 Submittal  
 05/01/2007 03:43 PM #FILE#  
 LAYOUT: MMW 03/12/07  
 DRAWN: DAB 03/12/07  
 REVIEWED: / /  
 GBR 02/02/04  
 Rsd 02/02/04  
 LEH 02/02/04