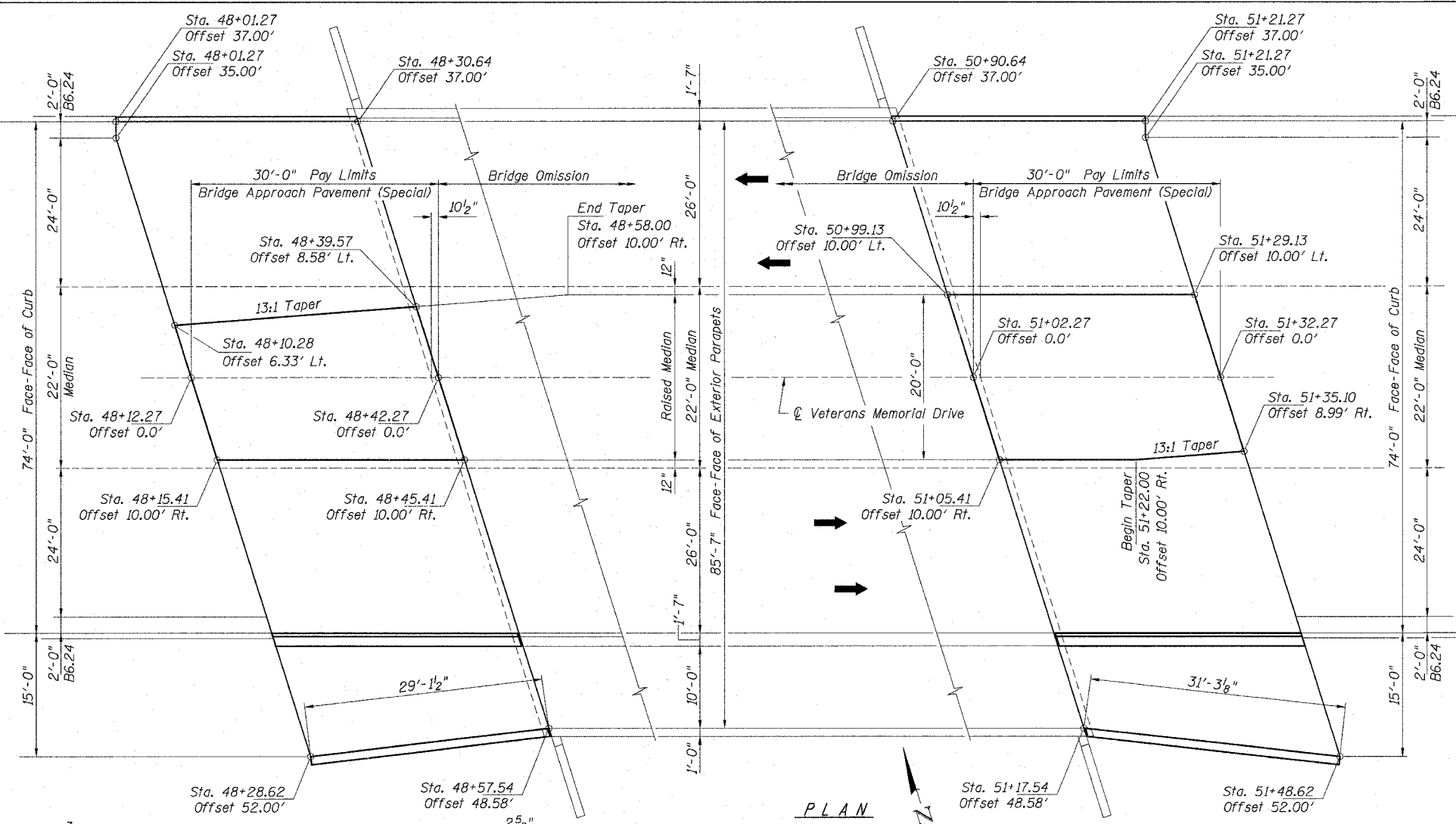
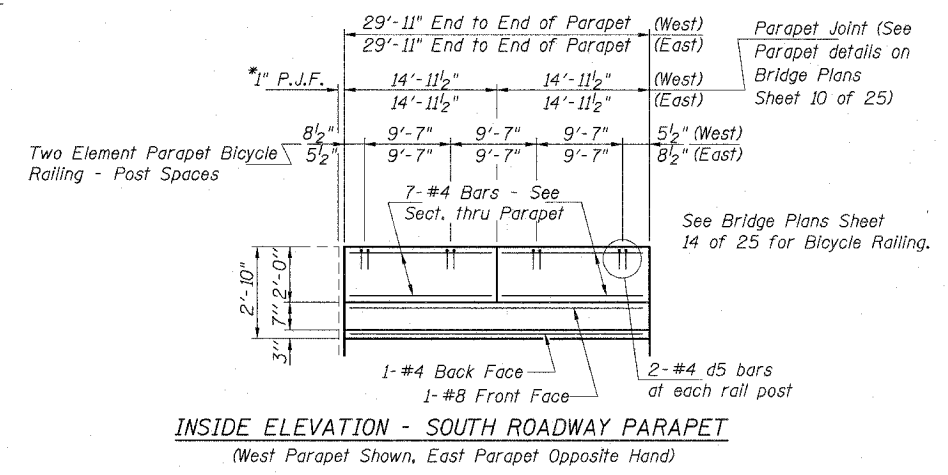


| | |
|---|----------------------------------|
| F.A.I. SECTION COUNTY TOTAL SHEETS SHEET NO. | 57/64 (41-3)HBK JEFFERSON 18 296 |
| STA. TO STA. | |
| FED. ROAD DIST. NO. ILLINOIS FED. AID PROJECT | |
| CONTRACT NO. 98963 | |



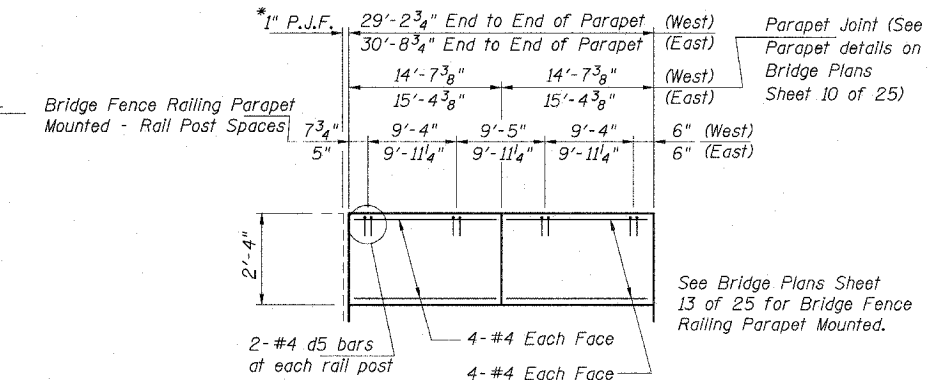
PLAN



INSIDE ELEVATION - SOUTH ROADWAY PARAPET
 (West Parapet Shown, East Parapet Opposite Hand)

Note:
 All dimensions are measured along back face of parapets.

* Cost included with Concrete Superstructure

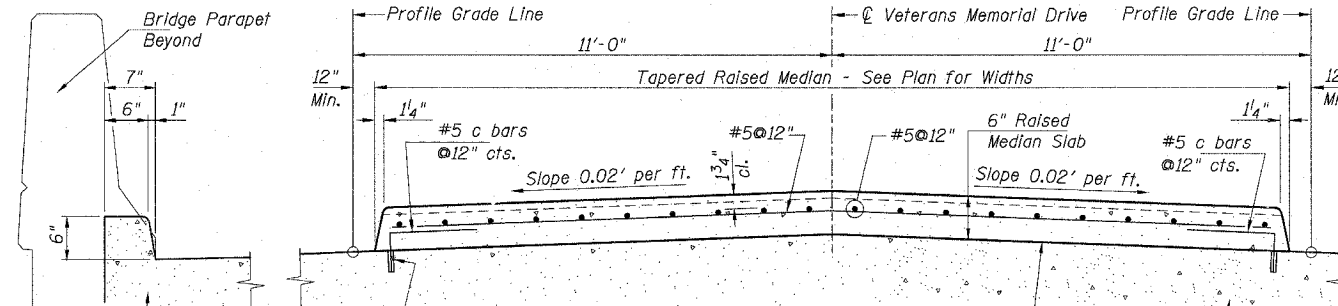
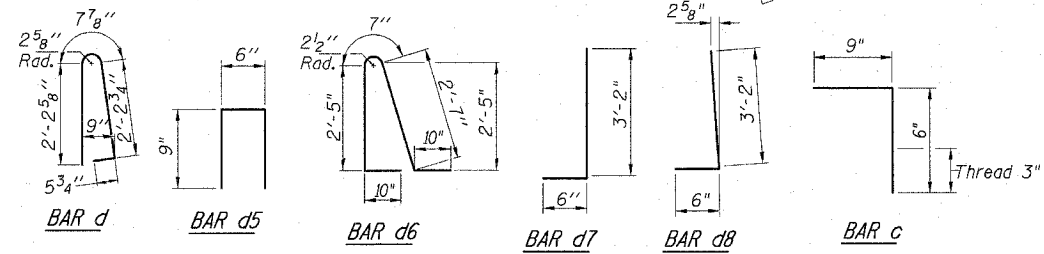


INSIDE ELEVATION - WALKWAY PARAPET
 (West Parapet Shown, East Parapet Opposite Hand)

Notes:
 The cost of, W.B. Curb, Raised Median, Roadway Parapet, Walkway Parapet, and reinforcement bars shown shall be included with the cost for 30'-0" Approach Pavement (Special).
 All Parapet and Median Reinforcement shall be Epoxy Coated.

BILL OF MATERIAL

| Item | Unit | Quantity |
|------------------------------------|---------|----------|
| Bicycle Railing | Foot | 58 |
| Bridge Fence Railing | Foot | 58 |
| Bridge Approach Pavement (Special) | Sq. Yd. | 593 |

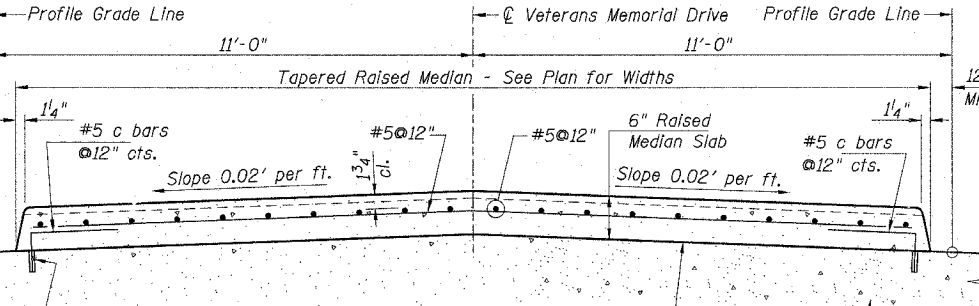


SECTION THRU APPR. CURB
 (At Exterior Curb West Bound Lanes)

See Std. 420401-05 for Approach Pavement Details & Reinforcement.

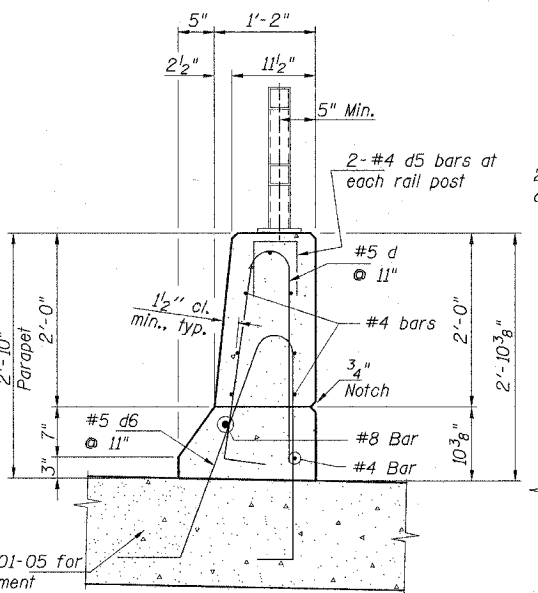
3/4" ϕ Expansion Anchor (self-drilling). Safe working load Tension = 7,500 lbs.

SECTION THRU RAISED MEDIAN

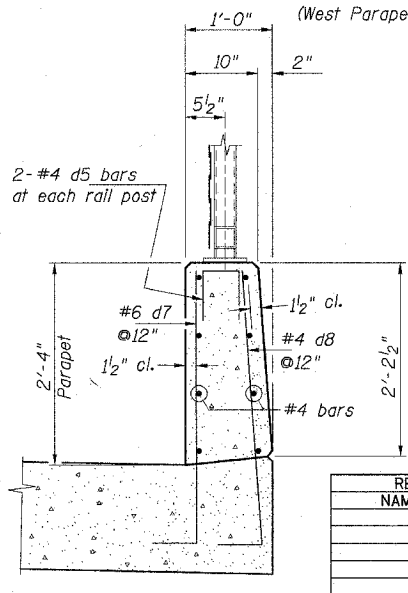


Construction Joint (Mandatory)

See Std. 420401-05 for Approach Pavement Details & Reinforcement.



SECTION THRU PARAPET
 (Parapet Between Roadway & Walkway)



SECTION THRU PARAPET
 (Exterior Parapet at Walkway)

| REVISIONS | |
|-----------|------|
| NAME | DATE |
| | |
| | |
| | |

ILLINOIS DEPARTMENT OF TRANSPORTATION
APPROACH PAVEMENT DETAILS SHEET
VETERANS MEMORIAL DRIVE INTERCHANGE SECTION (41-3)HBK
 SCALE: DATE 3-22-07 DRAWN BY RLT CHECKED BY MTM

| | | |
|----------|-----|----------|
| LAYOUT | RLT | 02/26/04 |
| DRAWN | LEO | 04/12/04 |
| REVIEWED | MTM | 03/22/07 |

3/21/2007
 A:\98\05\980220\90\Road\Sheet\c-501-bap.dgn