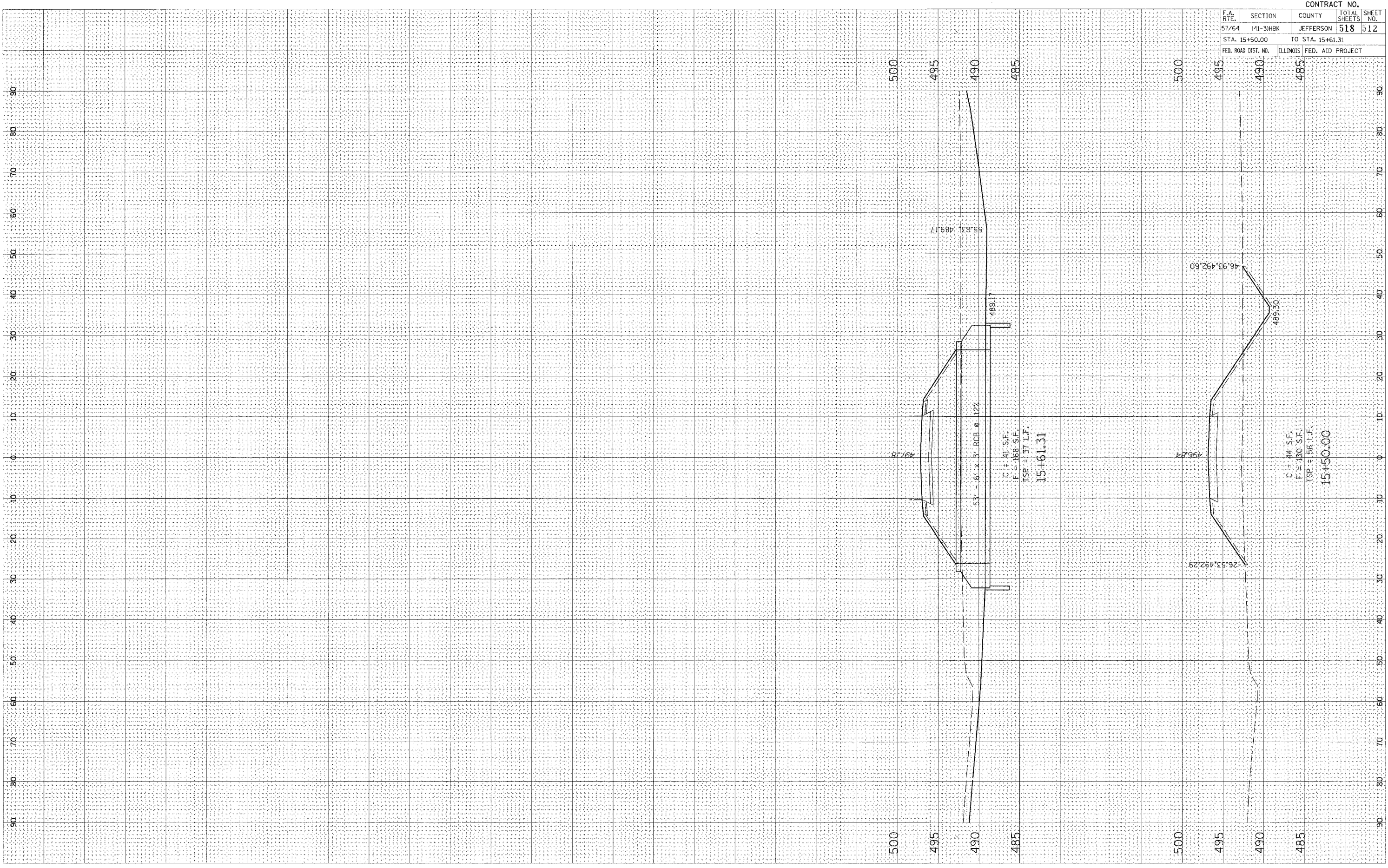


PLOT DATE = 03/21/2007, 07:11 AM
 PLOT SCALE = 10.0000 / IN.
 USER NAME = K.S.

ORIGINAL SURVEYED
 SURVEY PLOTTED
 REVISIONS
 NO. DATE

FINAL SURVEYED
 SURVEY PLOTTED
 NOTE BOOK NO.
 REVISIONS
 NO. DATE



F.A. RTE.		SECTION		COUNTY		TOTAL SHEETS	
57/64		(41-3)HBK		JEFFERSON		518	
STA. 15+50.00				TO STA. 15+61.31			
FED. ROAD DIST. NO.		ILLINOIS		FED. AID PROJECT			

CONTRACT NO.
 TOTAL SHEETS
 SHEET NO.