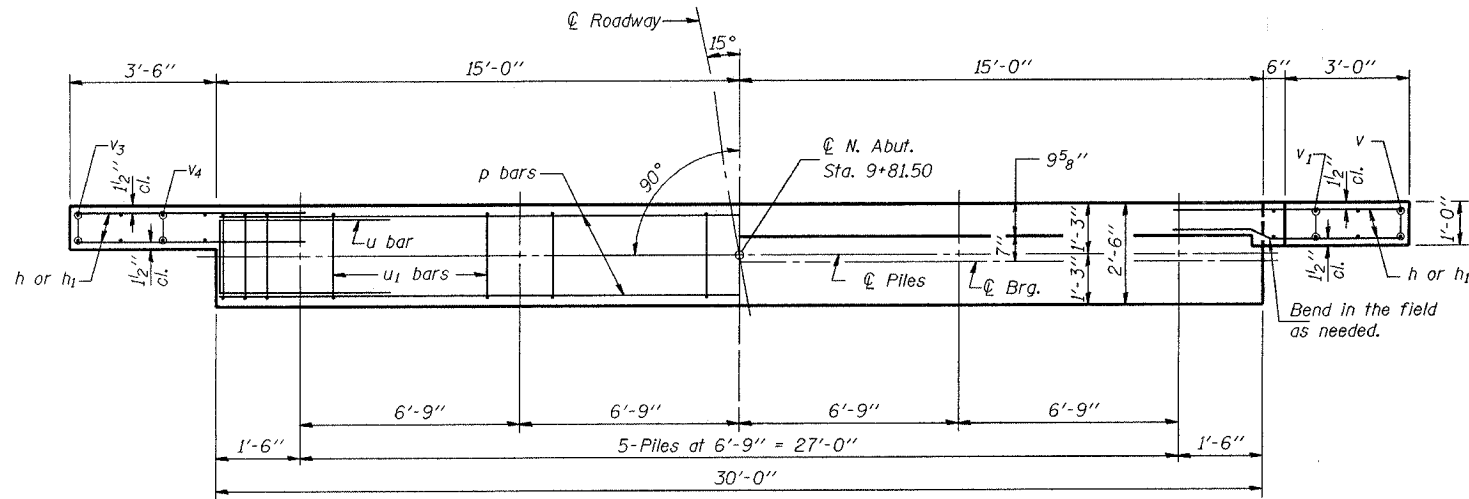
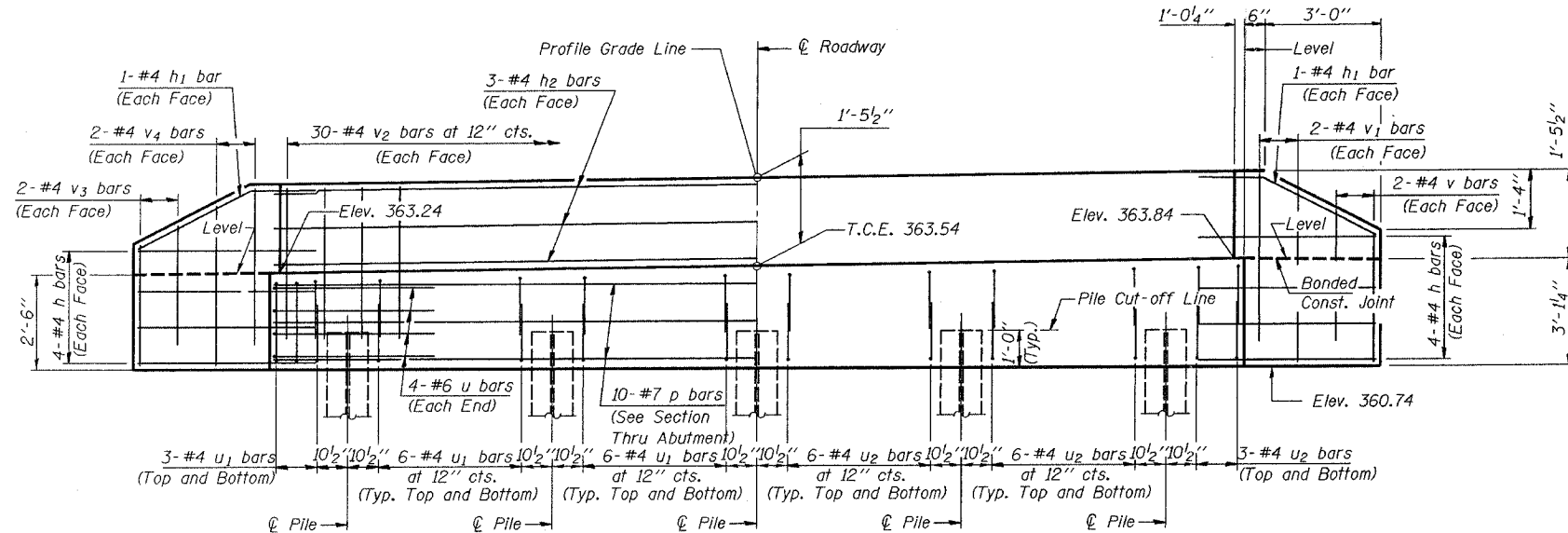


STATE OF ILLINOIS
DEPARTMENT OF TRANSPORTATION

ROUTE NO.	SECTION	COUNTY	TOTAL SHEETS	SHEET NO.
	#	UNION	22	19
9 SHEETS				
Contract No. 99214				



PLAN

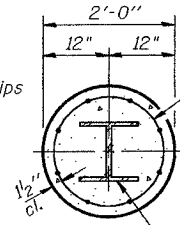


ELEVATION

(Looking North)

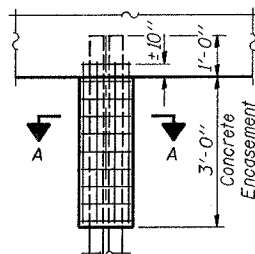
ABUT.-PILE DATA

Type: Steel HP 12x53
Allowable Resistance Available: 50 kips
Nominal Required Bearing: 150 kips
Est. Length: 60 ft.
No. Req'd. 4 + 1 Test Pile



SECTION A-A
HP12x53

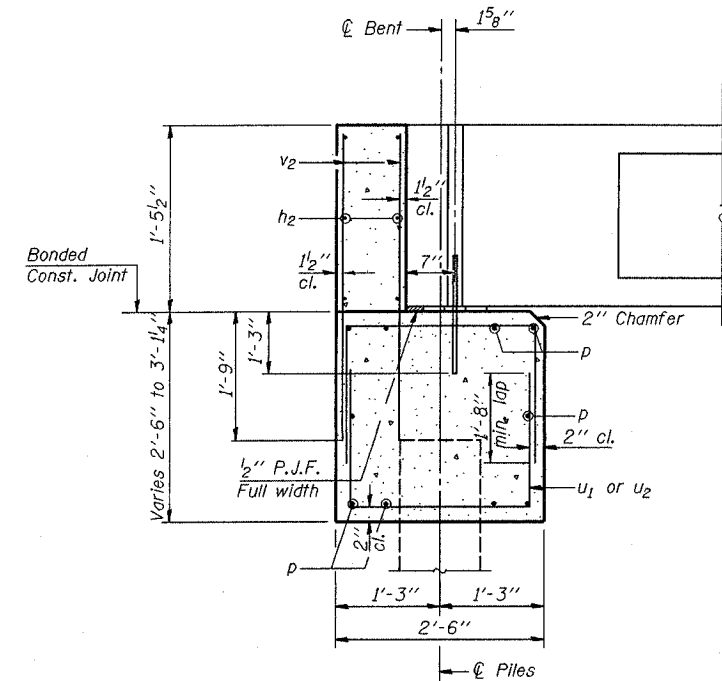
Welded wire fabric
6 x 6-W4.0 x W4.0
weighing 58#/100 sq. ft.
The cost of Excavation,
Concrete Encasement
and Reinforcement is included
in the item Concrete
Encasement. Forms for
Encasement may be omitted
when soil conditions permit.



PILE ENCASEMENT DETAIL

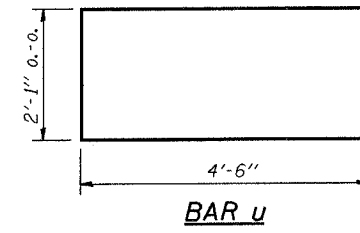
NOTES

- The Backwall and the portion of the Wingwalls above the bonded construction joint shall be cast against the in-place beam.
- Reinforcement bars shall conform to the requirements of ASTM 706 Gr. 60, (II Modified). See Special Provisions.
- Space reinforcement in cap to miss anchor bolts.

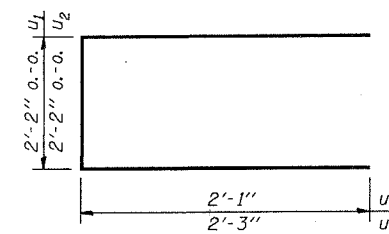


SECTION THRU ABUTMENT

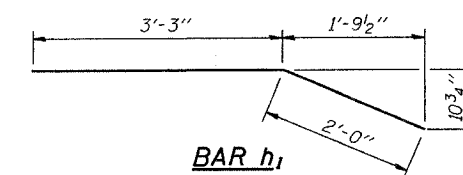
(At Right Angles)



BAR u



BAR u₁ and u₂



BAR h₁

BILL OF MATERIAL
FOR NORTH ABUTMENT

Bar No.	Size	Length	Shape
h	16 #4	5'-0"	—
h ₁	4 #4	5'-3"	—
h ₂	6 #4	29'-8"	—
p	10 #7	29'-8"	—
u	8 #6	11'-1"	—
u ₁	30 #4	6'-4"	—
u ₂	30 #4	6'-8"	—
v	4 #4	2'-11"	—
v ₁	4 #4	3'-10"	—
v ₂	60 #4	3'-1"	—
v ₃	4 #4	2'-4"	—
v ₄	4 #4	3'-3"	—
Concrete Structures	Cu. Yds.	10.1	
Reinforcement Bars	Pounds	1340	
Furnishing Steel Piles	Foot	240	
HP12x53			
Concrete Encasement	Cu. Yds.	1.7	
Driving Piles	Foot	240	
Test Pile	Each	1	
Steel HP12x53			

NORTH ABUTMENT
STR. NO. 091-3221
MORGAN SCHOOL ROAD
OVER CANY CREEK
SECTION 03-01176-00-BR
UNION COUNTY
STATION 9+27.00

DESIGNED	J.F. Schiff
CHECKED	J.K. Klein
DRAWN	SHANE SUMMER
CHECKED	JFS, JKK

APRIL - 3	2007
EXAMINED	Thomas J. Demagala
PASSED	Ralph E. Anderson