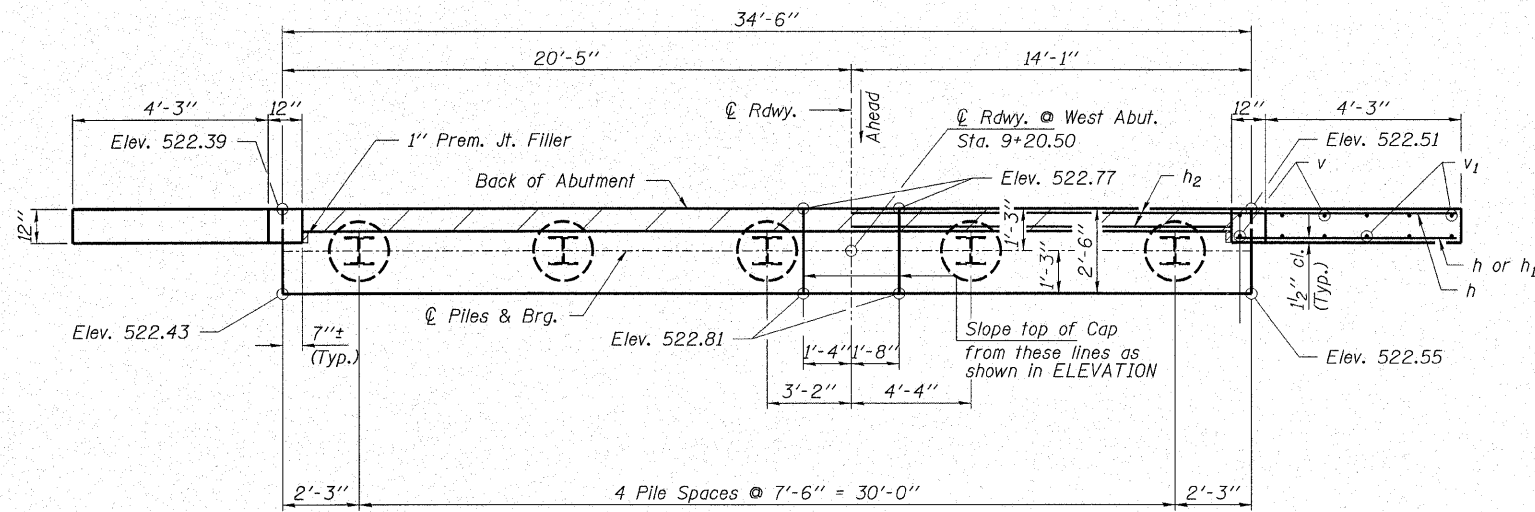
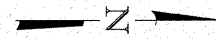
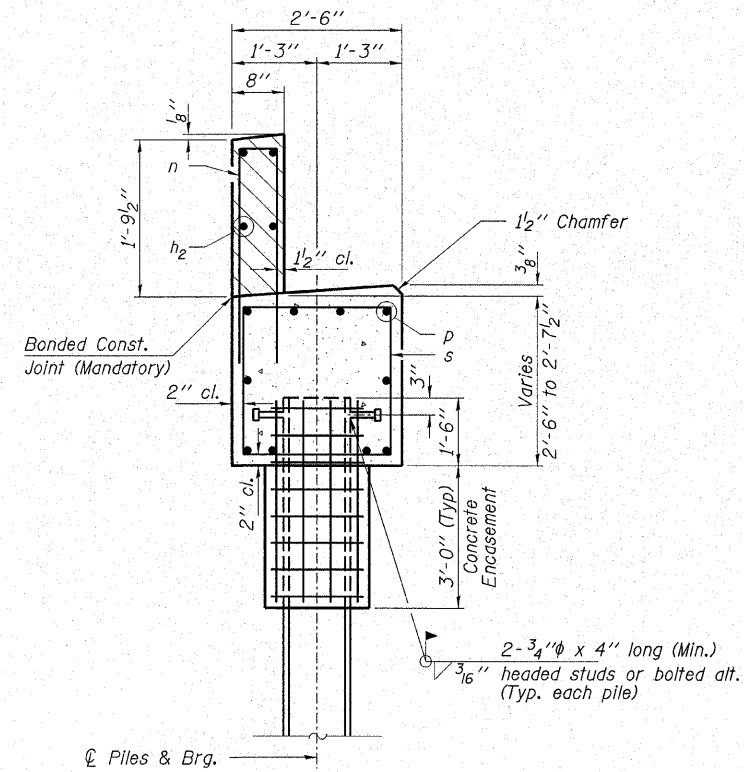


ROUTE NO. M.S. 2700	SECTION 05-00186-00-BR 06-00001-00-BR	COUNTY JEFFERSON	TOTAL SHEETS 31	SHEET NO. 27
FED. ROAD DIST. NO.		ILLINOIS CONTRACT NO. 99297		



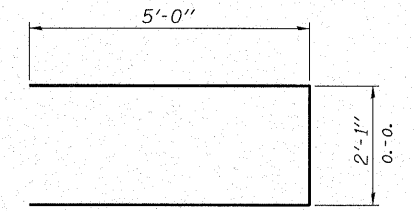
PLAN

Note: Elevations shown in PLAN are to Top of Cap.

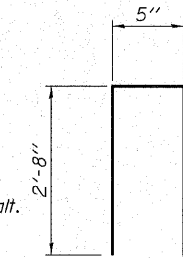


SECTION A-A

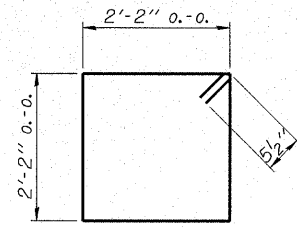
Hatched area to be poured after beams are in place.



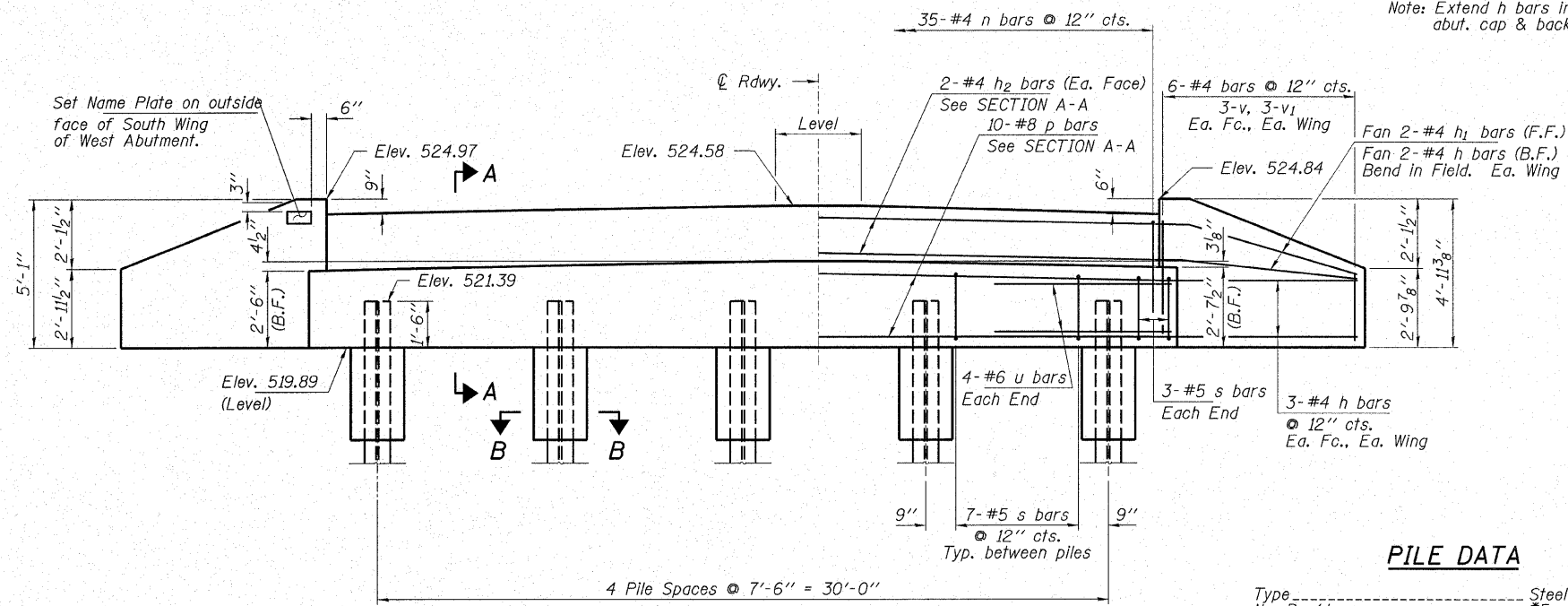
BAR u



BAR n

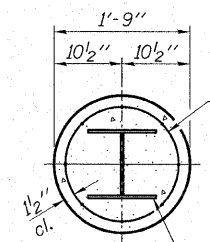


BAR s



ELEVATION
(Looking West)

Note: Extend h bars into abut. cap & backwall.



SECTION B-B

Welded wire fabric 6 x 6-W4.0 x W4.0 weighing 58#/100 sq. ft. The cost of Excavation and Reinforcement is included in the cost of Concrete Encasement. Forms for Encasement may be omitted when soil conditions will permit.

Steel Pile HP10x42

BILL OF MATERIAL - WEST ABUT.

BAR	NO.	SIZE	LENGTH	SHAPE
h	16	#4	6'-6"	—
h1	4	#4	5'-0"	—
h2	4	#4	34'-2"	—
n	35	#4	5'-9"	□
p	10	#8	34'-2"	—
s	34	#5	9'-7"	□
u	8	#6	12'-1"	—
v	12	#4	3'-9"	—
v1	12	#4	2'-3"	—
Concrete Structures		Cu. Yd.	12.0	
Concrete Encasement		Cu. Yd.	1.3	
Stud Shear Connectors		Each	10	
Reinforcement Bars		Pound	1,750	
Steel Piles HP10x42		Foot	80	
Test Pile Steel HP10x42		Each	1	
Name Plates		Each	1	

PILE DATA

Type	Steel HP10x42
No. Req'd	*5
Nominal Req'd Bearing	335 Kips/Pile
Allowable Resistance Available	112 Kips/Pile
Est. Lengths	20 Ft./Pile

Notes: The Steel H-Piles shall be according to AASHTO M270 Grade 50.

The test piles shall be driven to 110 percent of the Nominal Required Bearing indicated in the pile data information

* Includes one test pile to be driven in permanent location at the West Abutment.

HAMPTON, LENZINI & RENWICK, INC.
CIVIL & STRUCTURAL ENGINEERS
LAND SURVEYORS

3085 STEVENSON DRIVE, SUITE 201
SPRINGFIELD, ILLINOIS 62703
(217) 546-3400

HLR

ELGIN • SPRINGFIELD

PROJECT NUMBER: 12-49-0005-1 DATE: 03/21/07
DESIGNED: R.J.P. CHECKED: S.W.M. DRAWN: D.B.

WEST ABUTMENT
SECTIONS 05-00186-00-BR / 06-00001-00-BR
VILLAGE OF BLUFORD
JEFFERSON COUNTY
STRUCTURE NO. 041-9931 / STATION 10+00