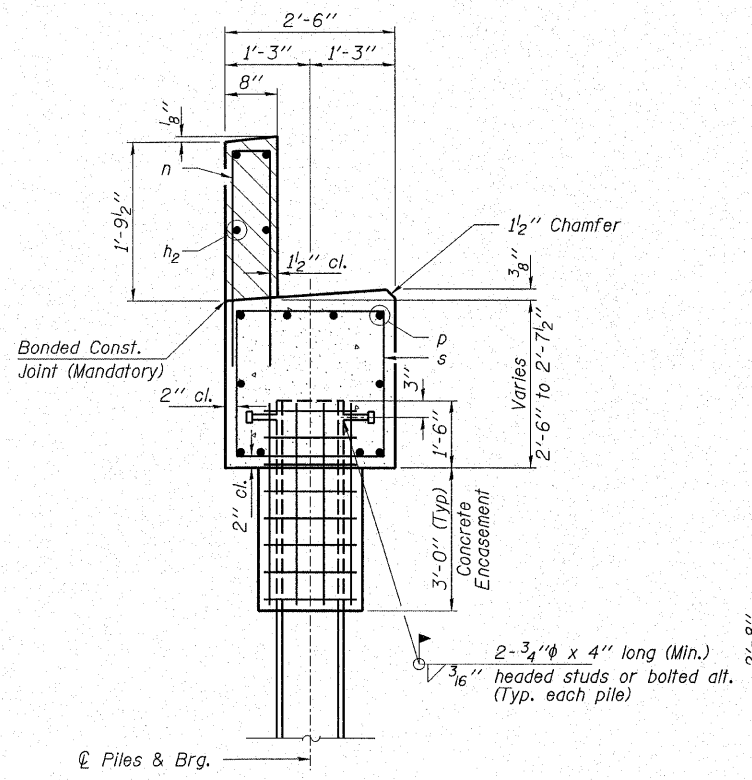


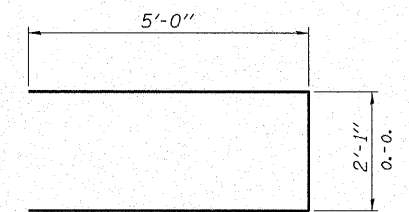
PLAN

Note: Elevations shown in PLAN are to Top of Cap.

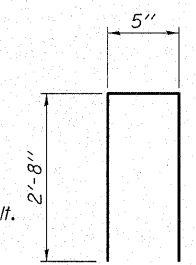


SECTION A-A

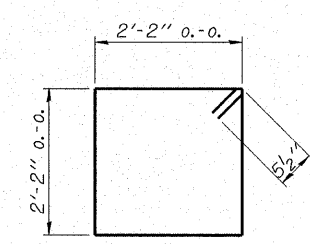
Hatched area to be poured after beams are in place.



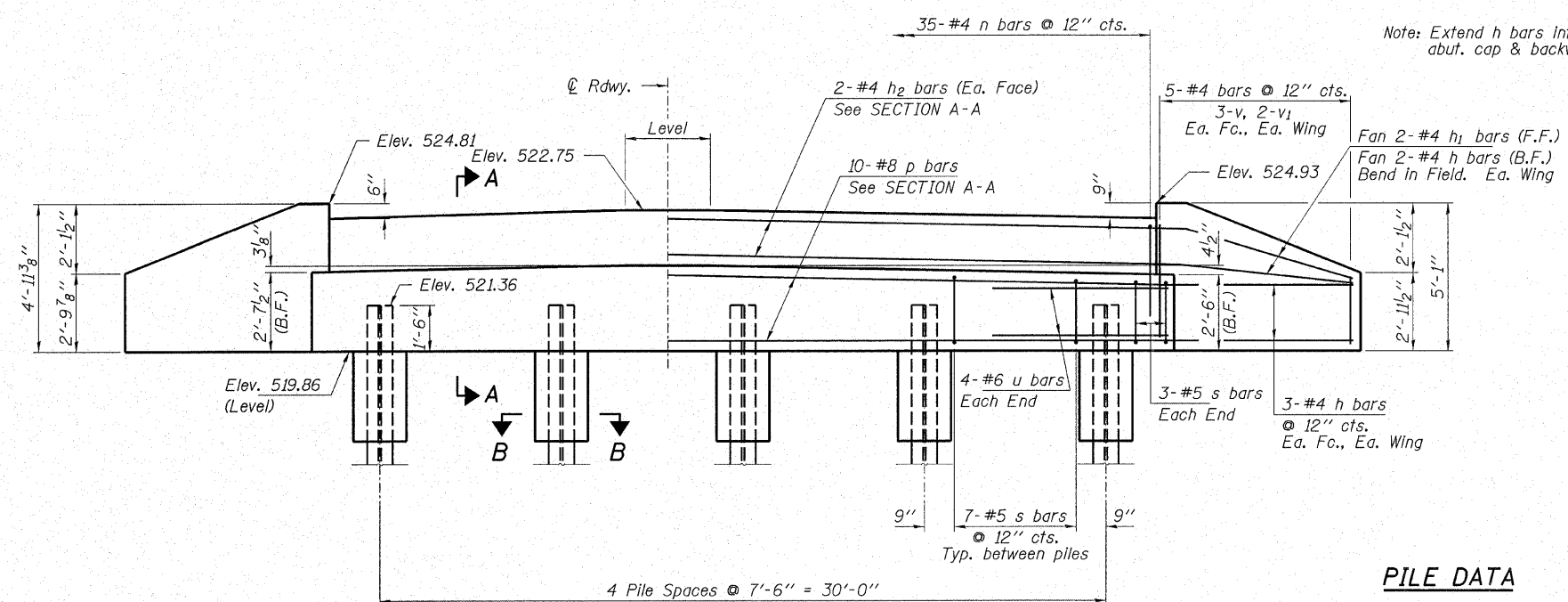
BAR u



BAR n



BAR s



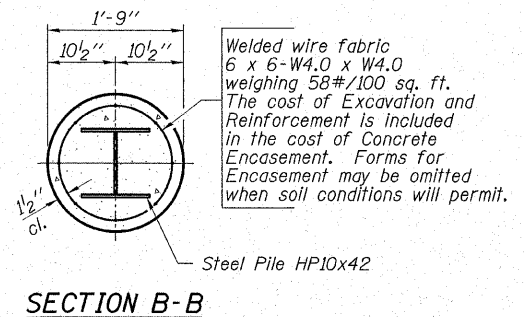
ELEVATION

(Looking East)

PILE DATA

Type	Steel HPI0x42
No. Req'd	5
Nominal Req'd Bearing	335 Kips/Pile
Allowable Resistance Available	112 Kips/Pile
Est. Lengths	30 Ft/Pile

Notes: The Steel H-Piles shall be according to AASHTO M270 Grade 50.



SECTION B-B

BILL OF MATERIAL - EAST ABUT.

BAR	NO.	SIZE	LENGTH	SHAPE
h	16	#4	6'-6"	—
h1	4	#4	5'-0"	—
h2	4	#4	34'-2"	—
n	35	#4	5'-9"	⊓
p	10	#8	34'-2"	—
s	34	#5	9'-7"	□
u	8	#6	12'-1"	⊓
v	12	#4	3'-9"	—
v1	12	#4	2'-3"	—
Concrete Structures			Cu. Yd.	12.0
Concrete Encasement			Cu. Yd.	1.3
Stud Shear Connectors			Each	10
Reinforcement Bars			Pound	1,750
Steel Piles HPI0x42			Foot	150

HAMPTON, LENZINI & RENWICK, INC.
 CIVIL & STRUCTURAL ENGINEERS
 LAND SURVEYORS
 3085 STEVENSON DRIVE, SUITE 201
 SPRINGFIELD, ILLINOIS 62703
 (217) 546-3400

ELGIN • SPRINGFIELD

PROJECT NUMBER: 12-49-0005-1 DATE: 03/21/07
 DESIGNED: R.J.P. CHECKED: S.W.M. DRAWN: D.B.

EAST ABUTMENT
 SECTIONS 05-00186-00-BR / 06-00001-00-BR
 VILLAGE OF BLUFORD
 JEFFERSON COUNTY
 STRUCTURE NO. 041-9931 / STATION 10+00