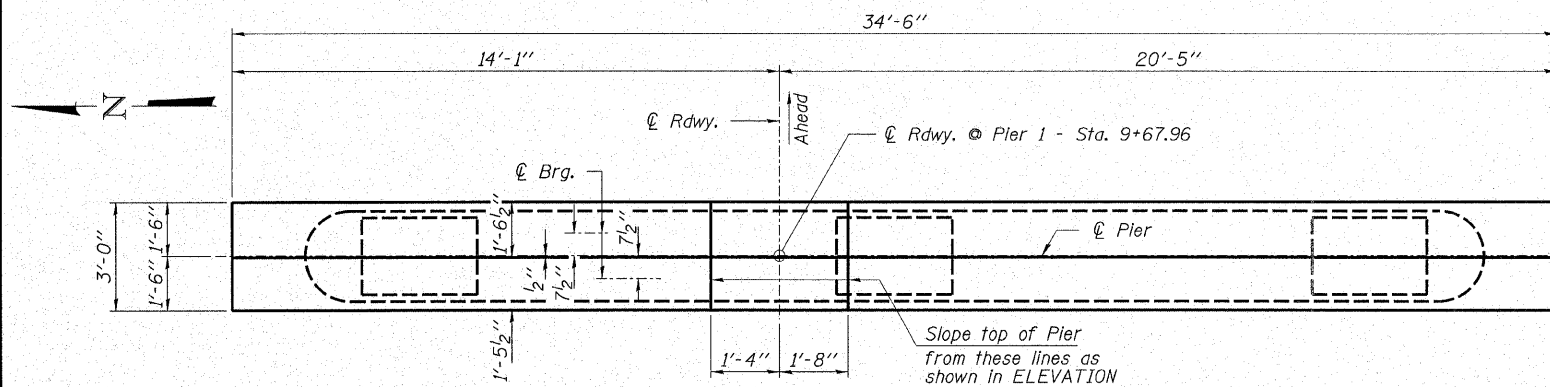
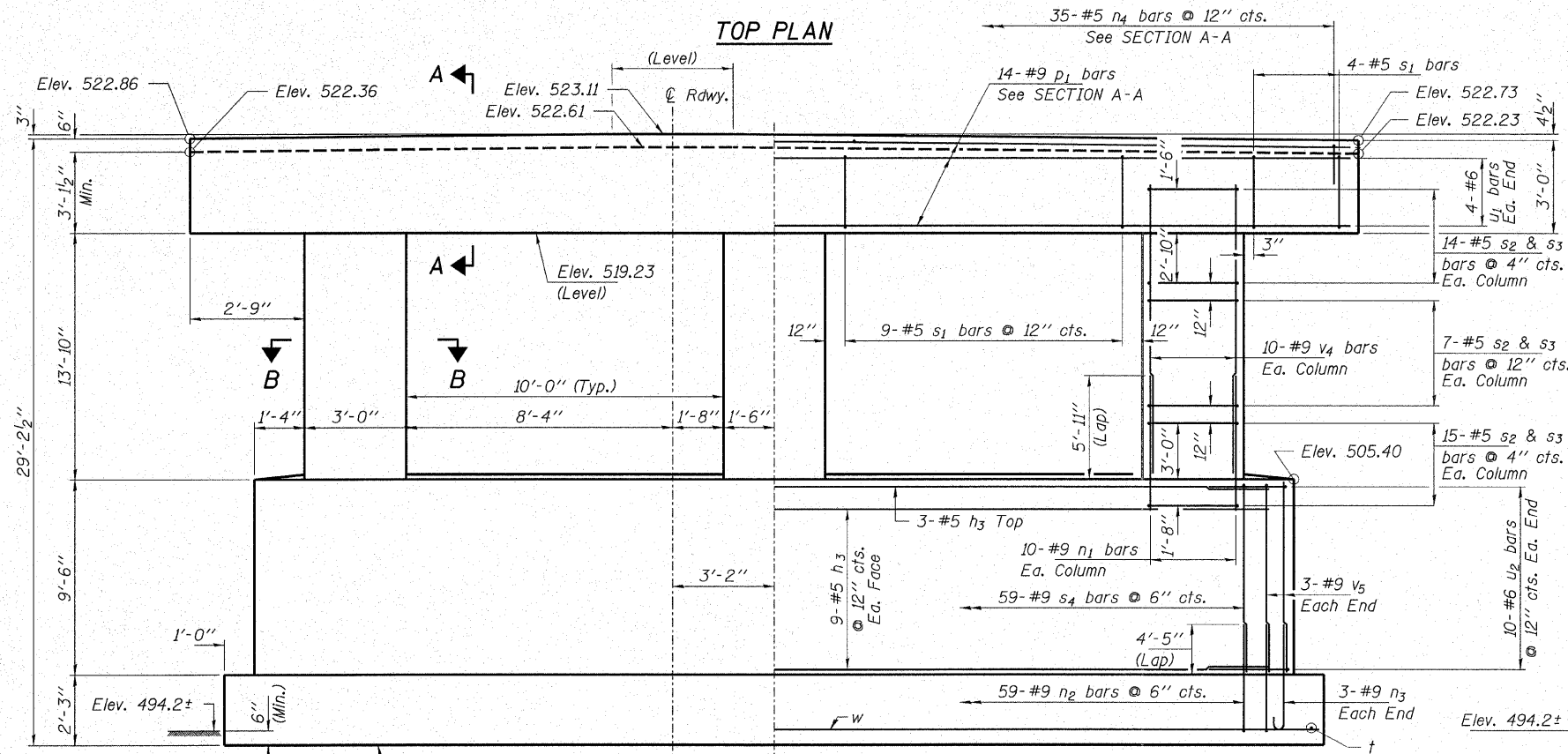


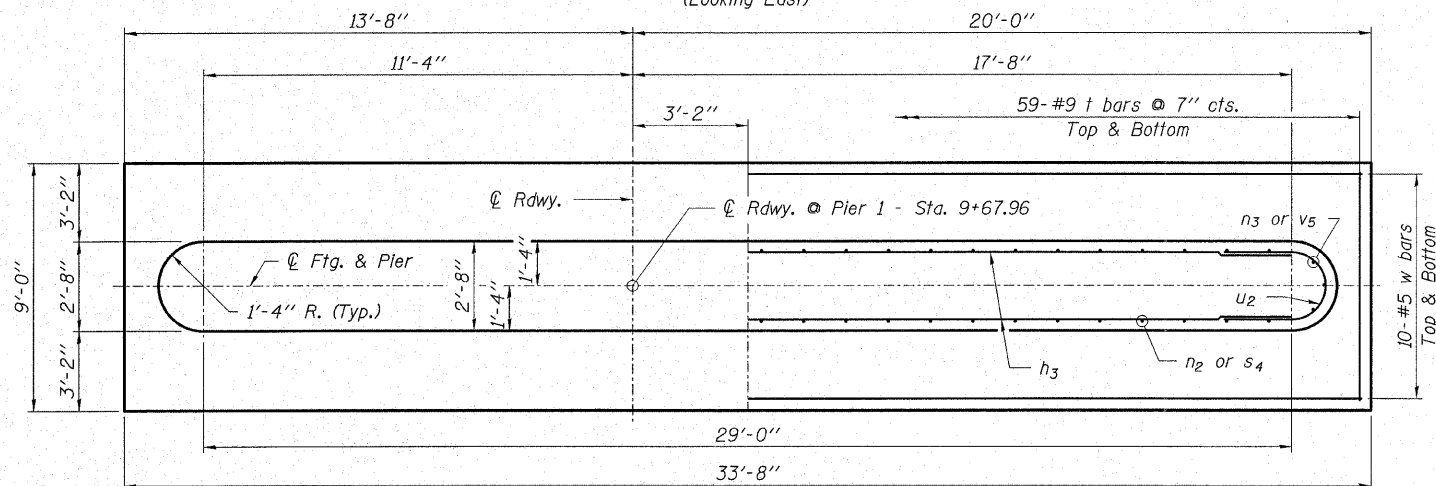
ROUTE NO.	SECTION	COUNTY	TOTAL SHEETS	SHEET NO.
M.S. 2700	05-00186-00-BR / 06-00001-00-BR	JEFFERSON	31	29
FED. ROAD DIST. NO.	ILLINOIS CONTRACT NO. 99297			



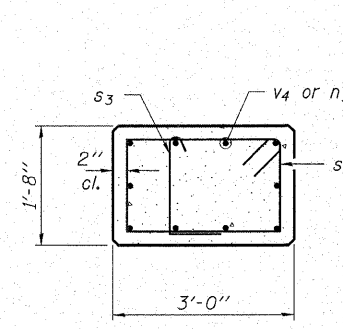
TOP PLAN



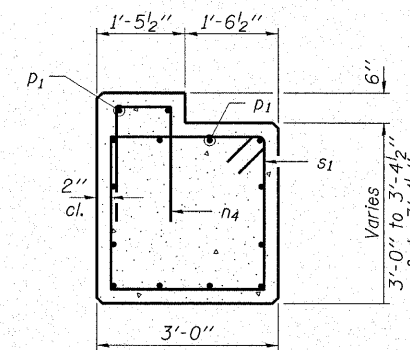
ELEVATION
(Looking East)



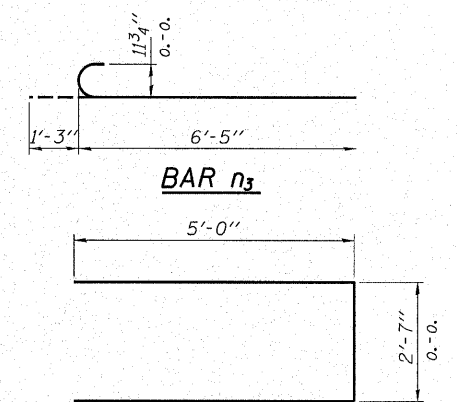
FOOTING PLAN



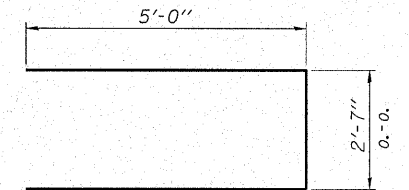
SECTION B-B



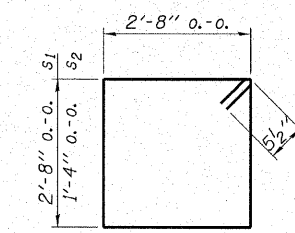
SECTION A-A



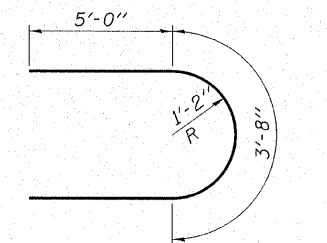
BAR n3



BAR u1



BAR s1 & s2



BAR u2

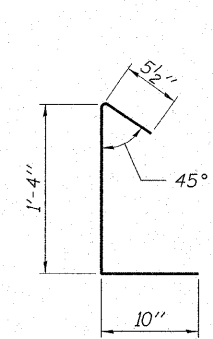
Notes:
Space reinforcement in cap to miss dowel rods.
All edges shall have standard 3/4" chamfer except as noted.

BILL OF MATERIAL - PIER 1

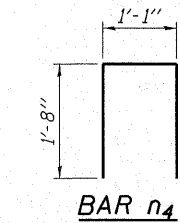
BAR NO.	SIZE	LENGTH	SHAPE
h3	#5	29'-0"	—
n1	#9	7'-8"	—
n2	#9	15'-2"	U
n3	#9	7'-8"	J
n4	#5	4'-5"	U
p1	#9	34'-2"	—
s1	#5	11'-7"	□
s2	#5	8'-11"	□
s3	#5	2'-8"	□
s4	#9	21'-0"	U
t	#9	8'-8"	—
u1	#6	12'-7"	U
u2	#6	13'-8"	U
v4	#9	15'-4"	—
v5	#9	9'-4"	—
w	#5	33'-4"	—
Concrete Structures			Cu. Yd. 75.5
Reinforcement Bars			Pound 18,720
Rock Excavation			Cu. Yd. 7.5
Structure Excavation			Cu. Yd. 60

MIN. BAR LAP
#9 = 4'-5"

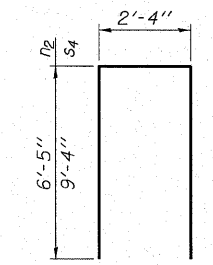
END VIEW
qmax = 5.1 k.s.f.



BAR s3



BAR n4



BAR n2 & s4

HAMPTON, LENZINI & RENWICK, INC.
CIVIL & STRUCTURAL ENGINEERS
LAND SURVEYORS
3085 STEVENSON DRIVE, SUITE 201
SPRINGFIELD, ILLINOIS 62703
(217) 546-3400
ELGIN • SPRINGFIELD
PROJECT NUMBER: 12-49-0005-1 DATE: 03/21/07
DESIGNED: R.J.P. CHECKED: S.W.M. DRAWN: D.B.

PIER 1
SECTIONS 05-00186-00-BR / 06-00001-00-BR
VILLAGE OF BLUFORD
JEFFERSON COUNTY
STRUCTURE NO. 041-9931 / STATION 10+00