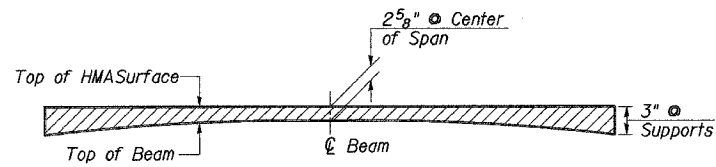
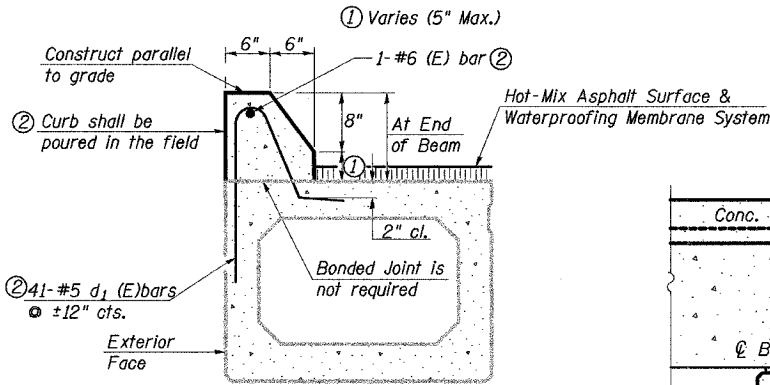


STATE OF ILLINOIS
DEPARTMENT OF TRANSPORTATION

T.R. RTE.	SECTION	COUNTY	TOTAL SHEETS	SHEET NO.
167	04-01225-00-BR	WILLIAMSON	16	6
STA 12+00	STA 18+50	ROAD DIST. ILLINOIS		
CONTRACT No. 99299			Sheet 3 of 9	

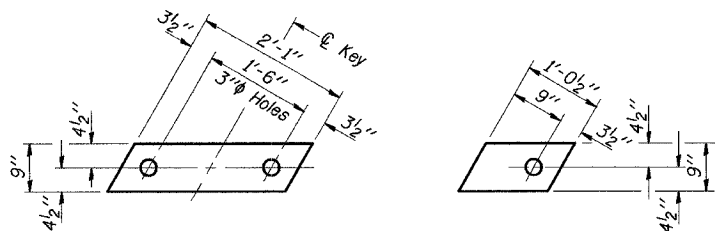


PROFILE OF OVERLAY



SECTION THRU EXTERIOR BEAMS

See Typical Section for strand pattern, dimensions and bar call outs.



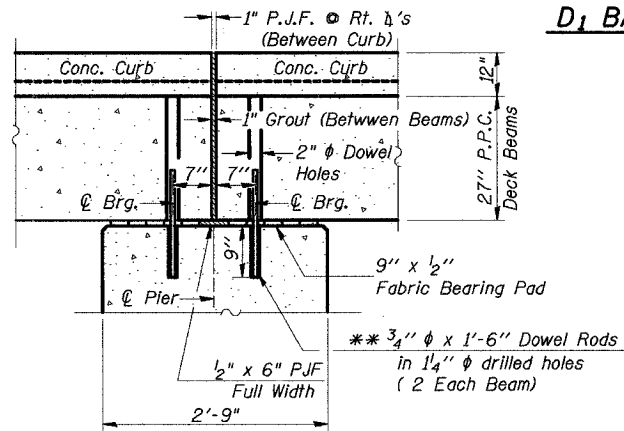
FABRIC BEARING PAD

(Interior)
28 Required

FABRIC BEARING PAD

(Exterior)
8 Required

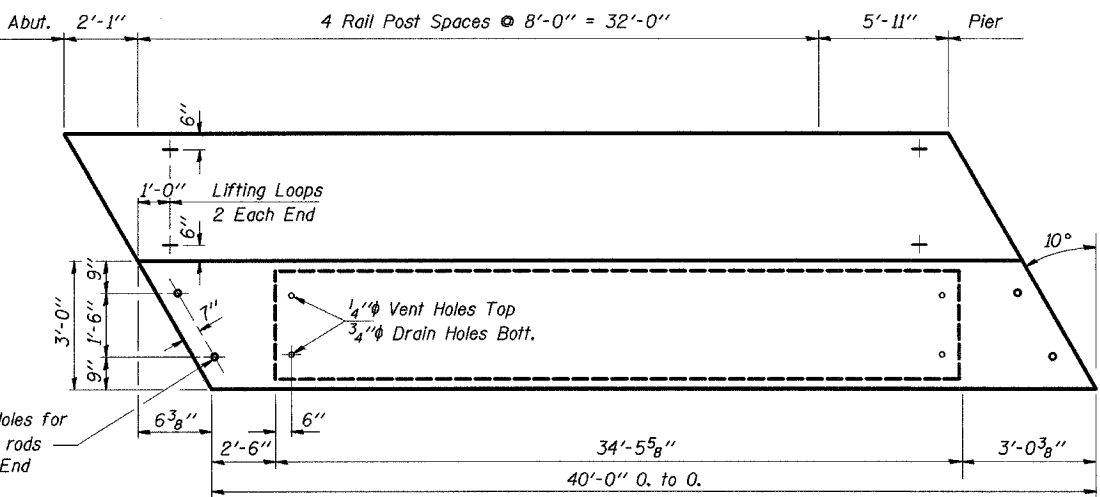
FIXED



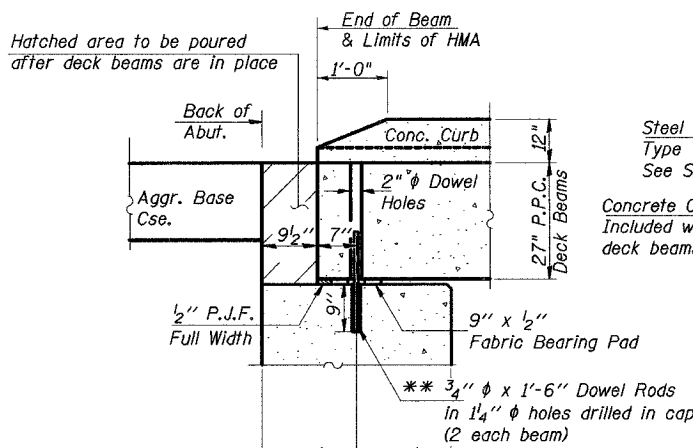
SEC. AT PIER

(© Rt. Δ's)
**Note: After beams are in place, 1/4\"/>

* 0.2 x Length of beam (8'-0\"/>



PLAN

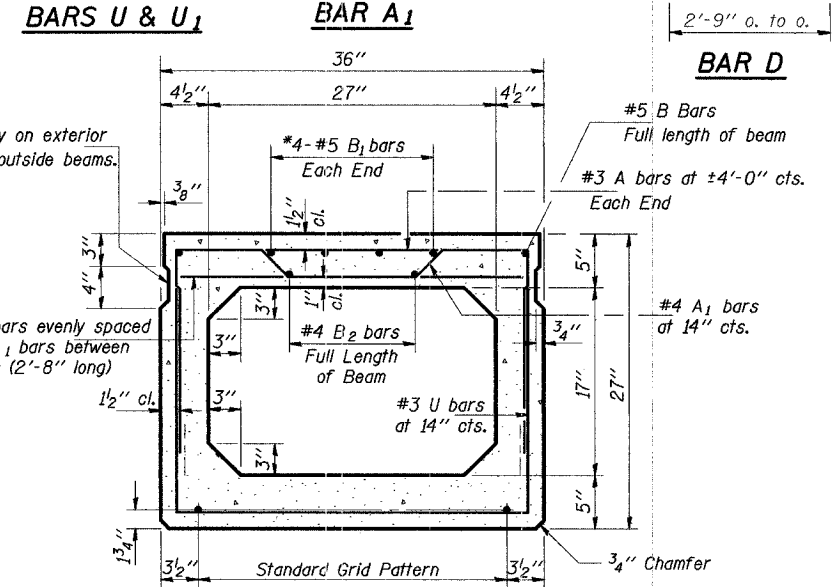


SEC. THRU ABUT.

(© Rt. Δ's)

NOTES

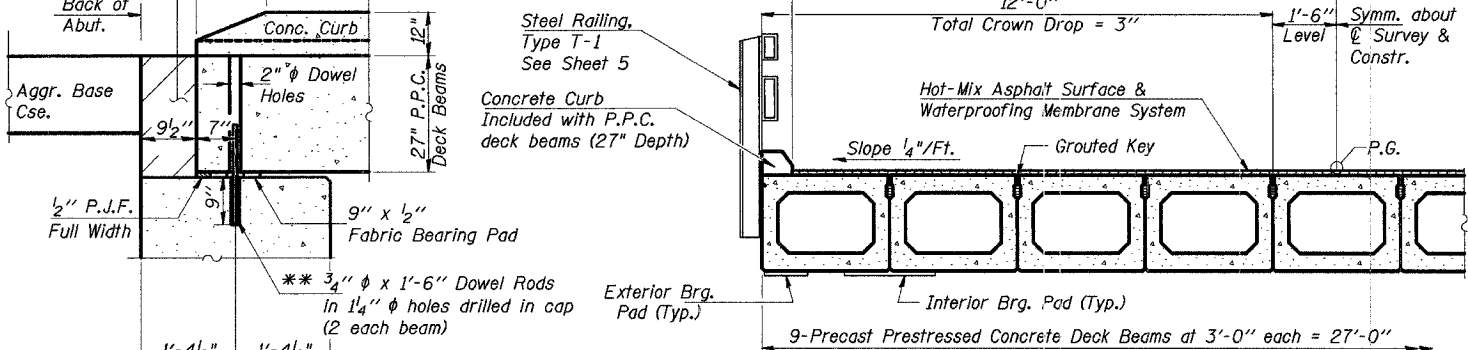
Prestressing steel shall be uncoated high strength, low relaxation 7-wire strand, Grade 270. The nominal diameter shall be 1/2\"/>



TYPICAL SECTION

7-1/2\"/>

Note: Place strands symmetrically about C of beam.

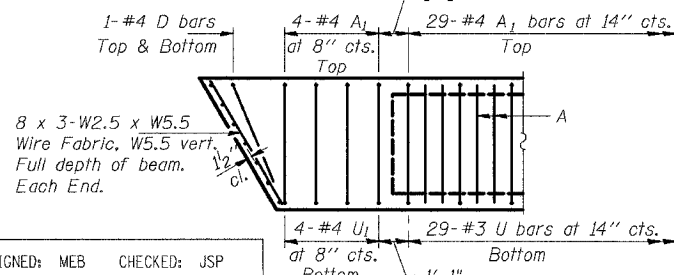


HALF CROSS SECTION

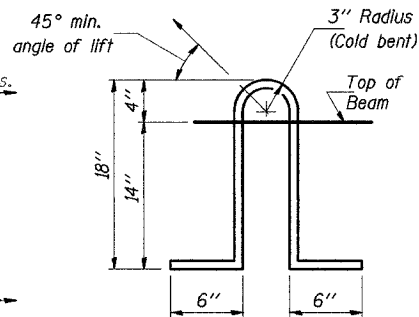
BILL OF MATERIAL

Item	Unit	Quantity
Precast Prestressed Concrete Deck Beams (27\"/>	Sq. Ft.	2,160
Hot-Mix Asphalt Surface Course, Mix \"C\", N50	Tons	36
Waterproofing Membrane System	Sq. Yds.	224

Estimated Total Weight (One Beam) = 25,300 Pounds



END PLAN



LIFTING LOOP DETAIL