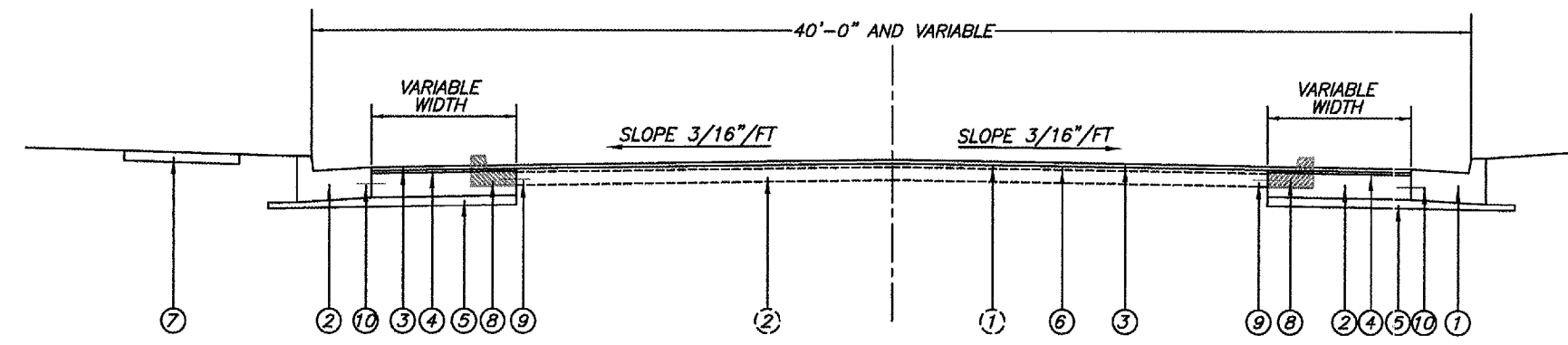


ROUTE	SECTION	COUNTY	TOTAL SHEETS	SHEET NO.
9550	07-00083-00-RP	SALINE	21	2
CITY OF HARRISBURG		SLOAN STREET		

CONTRACT NO. 99300



TYPICAL ROADWAY SECTION

STA. 17+30 TO STA. 22+50
NO SCALE

EXISTING

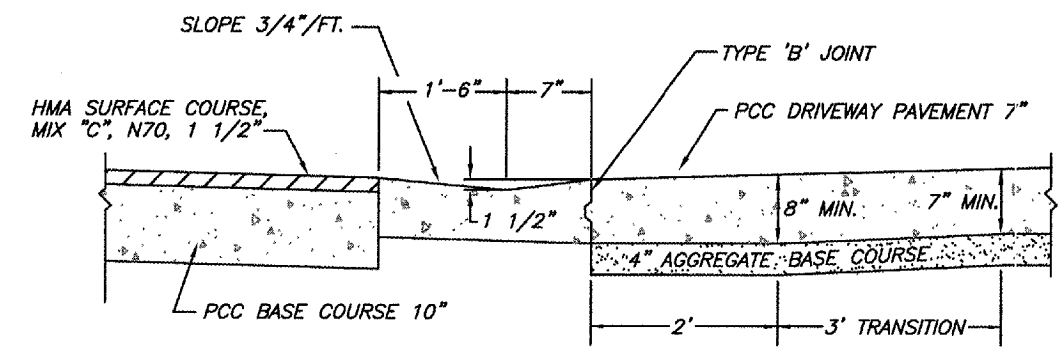
- ① EXISTING BITUMINOUS CONCRETE BINDER COURSE TO REMAIN
- ② EXISTING PCC PAVEMENT TO REMAIN

PROPOSED

- ① PROPOSED COMBINATION CONCRETE CURB AND GUTTER, TYPE B-6.24
- ② PROPOSED PCC BASE COURSE, 10"
- ③ PROPOSED HOT-MIX ASPHALT SURFACE COURSE, MIX "C", N70, 1 1/2"
- ④ PROPOSED LEVELING BINDER (MACHINE METHOD), N70, 1"
- ⑤ PROPOSED SUBBASE GRANULAR MATERIAL, TYPE A, 4"
- ⑥ EXISTING BITUMINOUS CONCRETE SURFACE COURSE (TO BE REMOVED)
- ⑦ PROPOSED PCC SIDEWALK, 4"
- ⑧ COMBINATION CURB AND GUTTER REMOVAL
- ⑨ PROPOSED #5 EPOXY-COATED REBAR, 30" LONG ON 24" CENTERS, DRILLED AND ANCHORED WITH EPOXY CEMENT (INCLUDED AS PART OF PROPOSED PCC BASE COURSE 10")
- ⑩ PROPOSED #5 EPOXY-COATED REBAR, 30" LONG ON 24" CENTERS, DRILLED AND ANCHORED WITH EPOXY CEMENT OR CAST IN PLACE (INCLUDED AS PART OF PROPOSED PCC BASE COURSE 10")

LEGEND

- EDGE OF EXISTING ROADWAY
- EXISTING TELEPHONE PEDESTAL
- EXISTING UTILITY POLE
- EXISTING WATER METER
- EXISTING CULVERT TO BE REMOVED
- PROPOSED INLET, TYPE 3, 5'
- PROPOSED INLET SPECIAL, TYPE A WITH TYPE 3V FRAME & GRATE
- PROPOSED STORM SEWER
- EXISTING ELECTRIC LINE
- EXISTING UNDERGROUND TELEPHONE
- EXISTING GAS LINE
- EXISTING CABLE TV LINE
- EXISTING WATERMAIN
- EXISTING HYDRANT
- CONSTRUCTION LIMITS
- PROPOSED DEPRESSED CURB
- EXISTING CONCRETE TO BE REMOVED
- PROPOSED DITCH CHECK
- PROPOSED PERIMETER EROSION CONTROL



DEPRESSED CURB

NO SCALE
TO BE USED ADJACENT TO CITY STREETS & PRIVATE ENTRANCES
FOR JOINT 'B' DETAILS, SEE STANDARD BLR 10-3

12 Apr 2007 - 9:38am X:\2007\07016\AC\plans\2typical sections.dwg