

ROUTE	SECTION	COUNTY	TOTAL SHEETS	SHEET NO.
9550	07-00083-00-RP	SALINE	21	5
CITY OF HARRISBURG		SLOAN STREET		

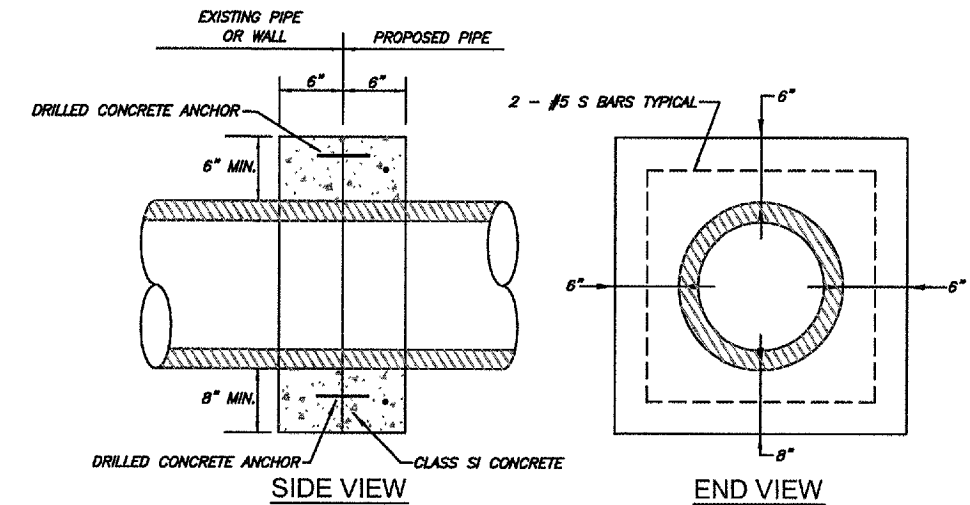
CONTRACT NO. 99300

CULVERT REMOVAL

STATION	LOCATION OFFSET	LENGTH (FEET)		TRENCH BACKFILL (C.Y.)
		12" DIA.	24" DIA.	
17+89 TO 18+29	23.3'RT	40		3.7
18+74 TO 19+24	22.0'RT TO 21.8'RT	40		2.4
20+27	12'RT TO 19'RT	7		0.6
20+27 TO 20+31	12'LT TO 47.4'LT	35		3.7
20+47	44'LT TO 19'RT		63	0
TOTAL CULVERT REMOVAL		35	63	10.4

STORM SEWER SCHEDULE

POINT TO POINT	STORM SEWERS, CLASS A, TYPE 1 (FOOT)				PCBC 8'X5' (FOOT)	TRENCH BACKFILL (CU. YD.)	CONCRETE COLLAR (EACH)
	12"	15"	24"	36"			
1-2	90				1.9	0	
2-3	4				0	0	
3-4		25			0	0	
5-6					34	37.6	
7-8	21				2.2	0	
9-10			14		0	0	
10-11			64		12.2	0	
12-12A				13	0	1	
13-13A				13	0	1	
115	25	78	26	34	53.9		



NOTES:

1. ALL CONCRETE SHALL CONSIDERED INCLUDED WITH THE UNIT PRICE PER FOOT FOR STORM SEWER. CLASS SI CONCRETE SHALL BE USED THROUGHOUT.
2. ALL REINFORCEMENT SHALL BE CONSIDERED INCLUDED WITH THE UNIT PRICE PER FOOT FOR STORM SEWER.

CONCRETE COLLAR DETAILS