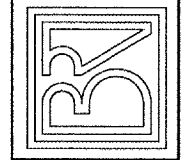
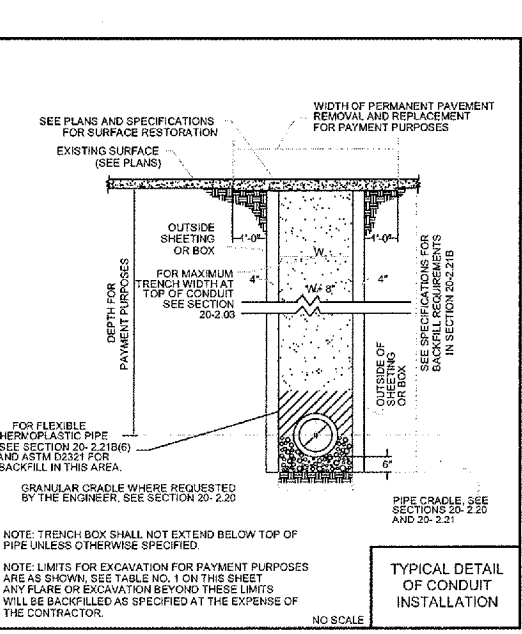
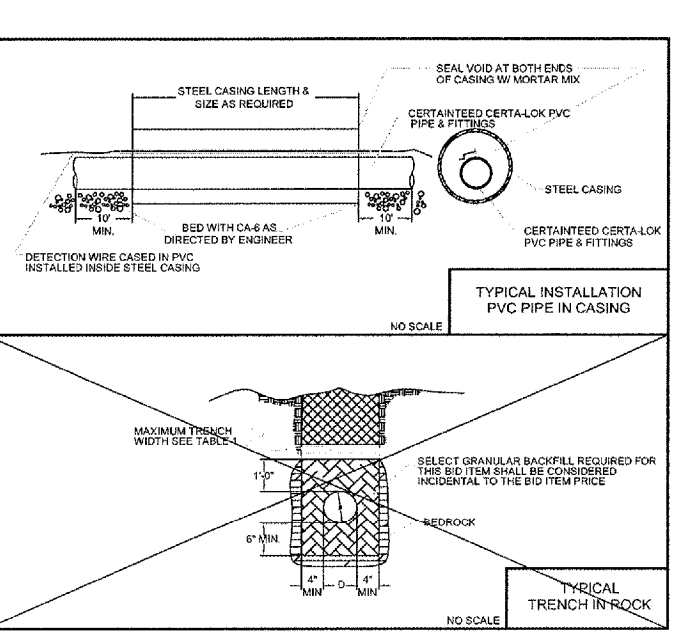
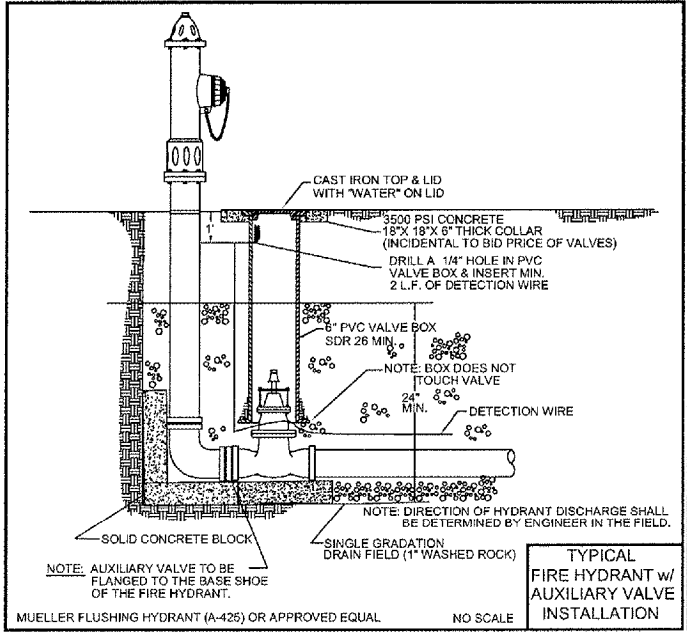
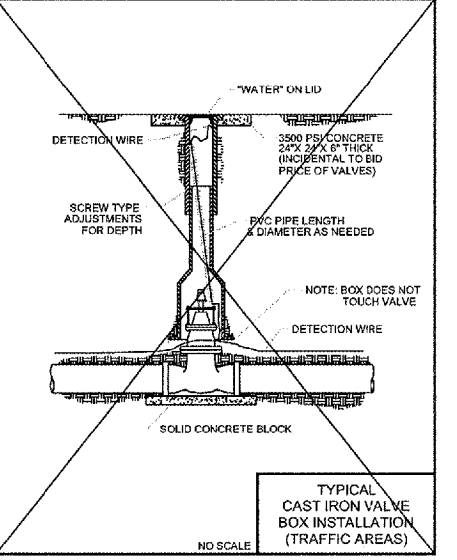
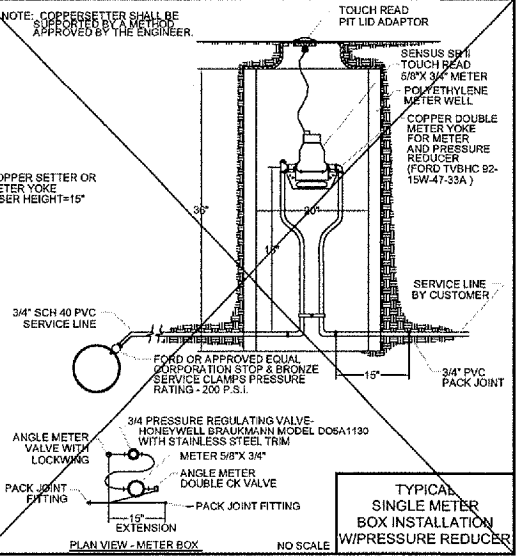
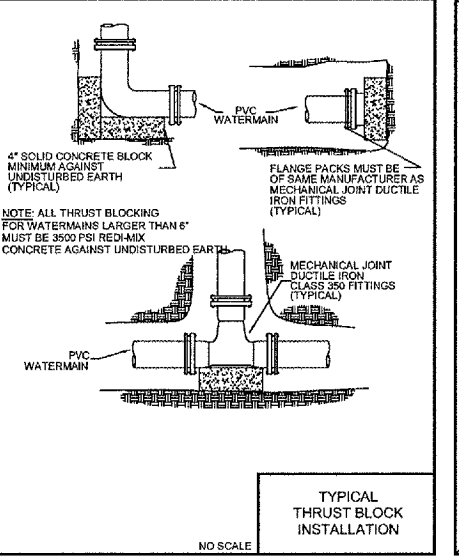
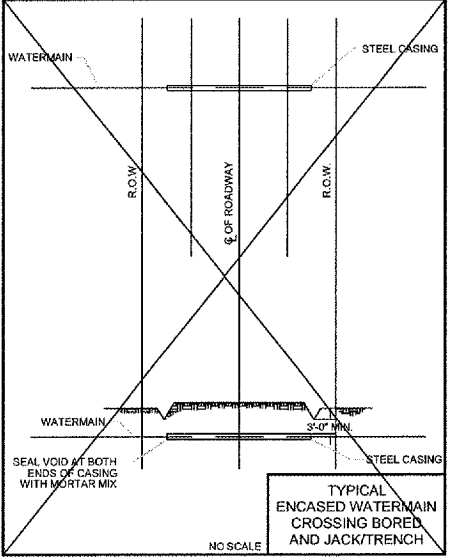
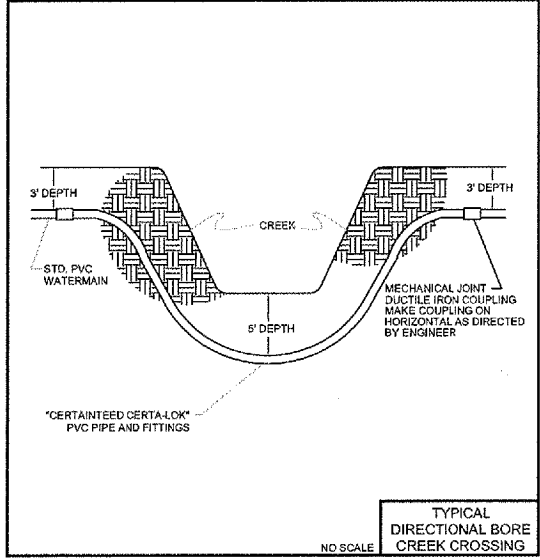
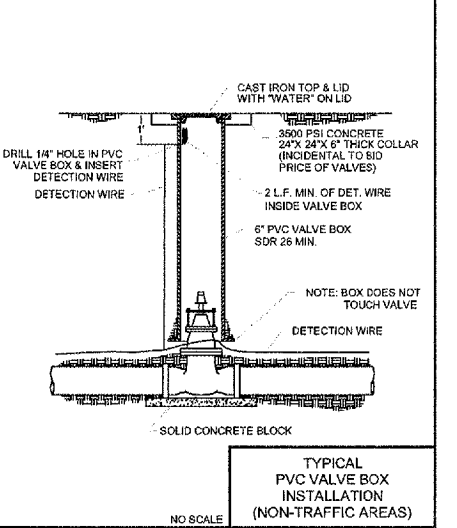
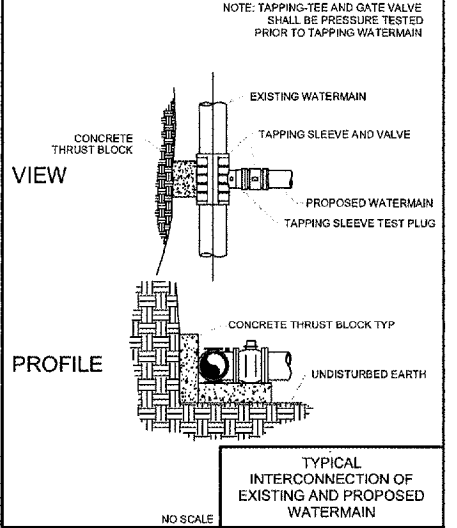
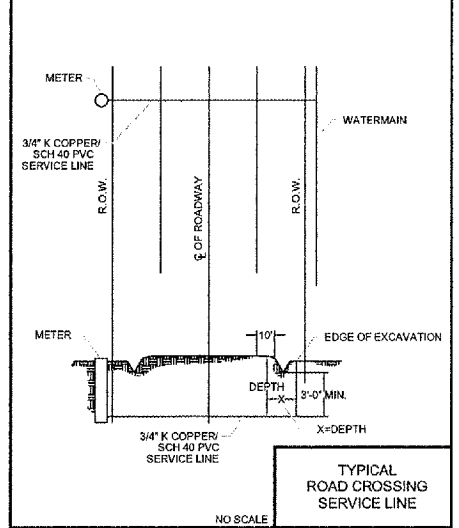
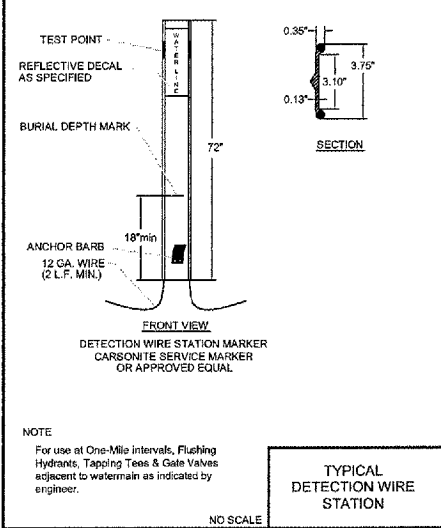


- NOTES:
- In issuing the permit for this project, the Illinois Environmental Protection Agency acknowledges that the firm of Brown & Roberts, Inc. has not been employed to furnish any engineering observation for this project. Brown & Roberts, Inc., nor the engineer who seals these plans, therefore, make no representations as to the compliance of the installation of this project with IEPA existing rules, regulations, policies, or laws.
 - The construction of the water mains on this project shall be performed according to the "Standard Specifications for Water and Sewer Main Construction in Illinois", latest edition, and as required by 35 ILL. ADM. Code 653.119.
 - Watermain shall be separated from septic tanks, disposal fields, and seepage beds by a minimum of 25 feet.
 - The watermain shall comply with ASTM D2241.
 - The watermain joints shall comply with ASTM FA77 and shall be pressure rated in accordance with ASTM D3139.



Drawn By:	Checked By:	
VJW	JWB	
Revisions:		
Item	Date	Name
Scale:	Field Bk:	
AS SHOWN		
Job Number:	Date:	
07-016	04/07	
Sheet		