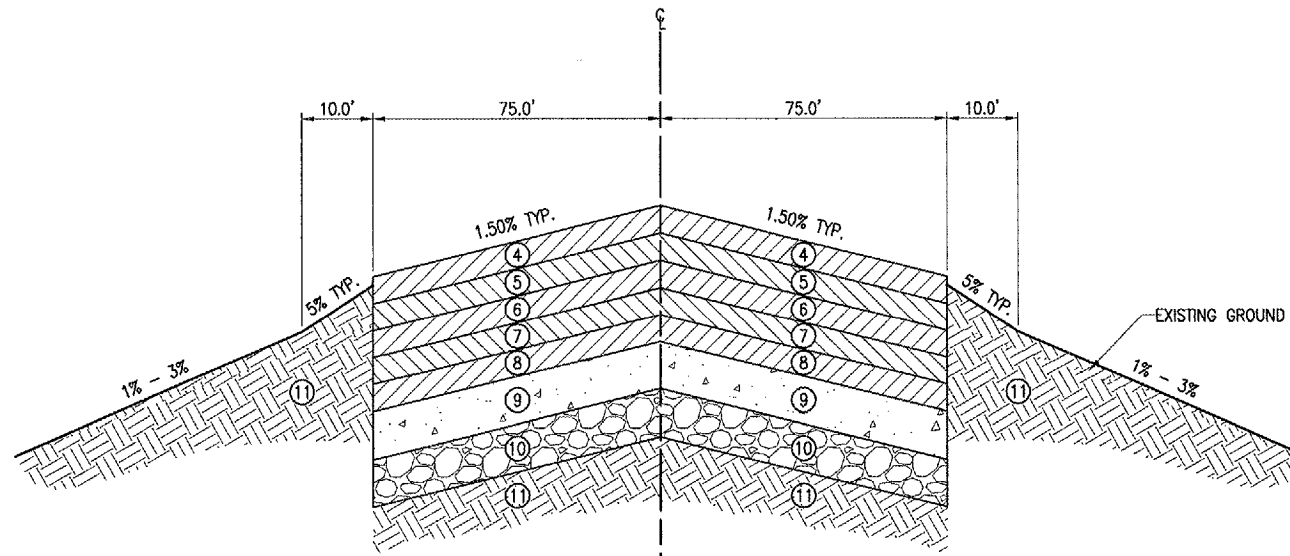


LEGEND FOR TYPICAL SECTION

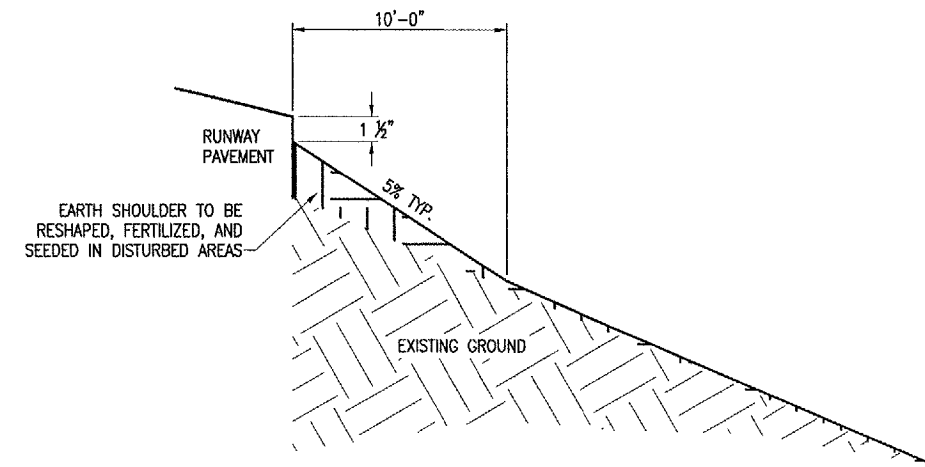
- ① PROPOSED AR401: BITUMINOUS SURFACE COURSE - 4" (2 LIFTS)
 - ② PROPOSED AR603: BITUMINOUS TACK COAT (RATE PER SPECIFICATION)
 - ③ PROPOSED AR603: BITUMINOUS TACK COAT (RATE PER SPECIFICATION)
 - ④ EXISTING AR401: BITUMINOUS SURFACE COURSE - 4"
 - ⑤ EXISTING AR201: BITUMINOUS BASE COURSE - 2"-3"
 - ⑥ EXISTING AR401: BITUMINOUS SURFACE COURSE - 2"
 - ⑦ EXISTING AR201: BITUMINOUS BASE COURSE - 0"-10" VARIABLE DEPTH
 - ⑧ EXISTING AR401: BITUMINOUS SURFACE COURSE - 4"
 - ⑨ EXISTING AR501: PCC PAVEMENT - 9"
 - ⑩ EXISTING AR208: AGGREGATE SUBBASE COURSE - 8"
 - ⑪ EXISTING GROUND
- BITUMINOUS MILLING [Pattern] - VARIABLE 3" TO 5"



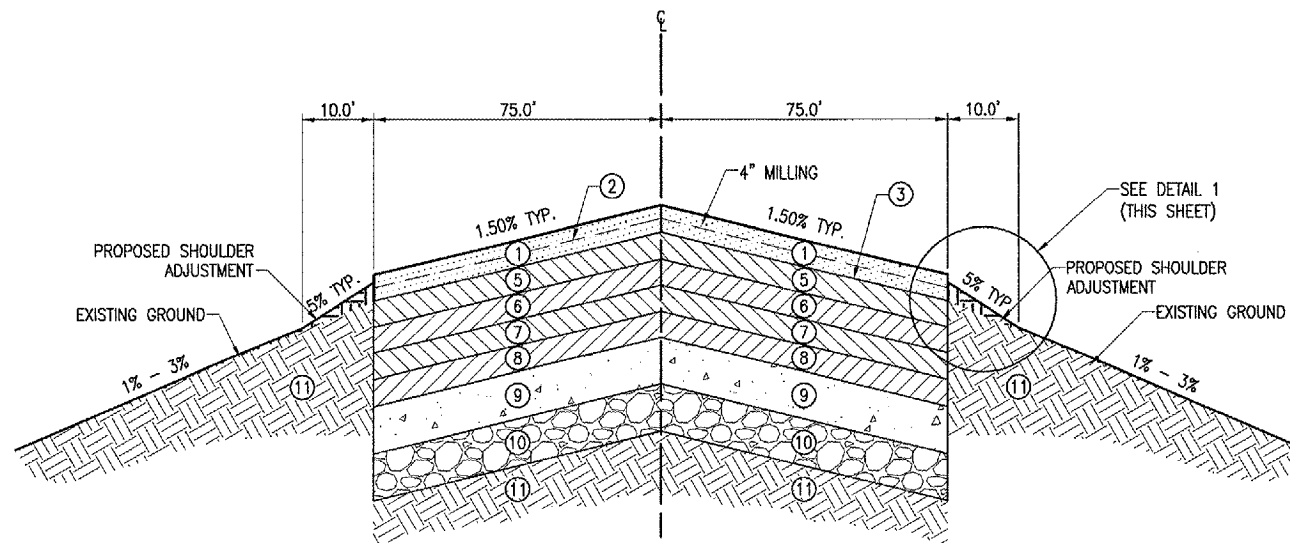
EXISTING RUNWAY PAVEMENT - TYPICAL SECTION

"NOT TO SCALE"

RUNWAY "6/24" STA. 375+50 TO STA. 383+56.20



DETAIL 1
EARTH SHOULDER



PROPOSED RUNWAY PAVEMENT - TYPICAL SECTION

"NOT TO SCALE"

RUNWAY "6/24" STA. 375+50 TO STA. 383+56.20

NOTE:

THE CONTRACTOR WILL REGRADE, SEED AND FERTILIZE THE DISTURBED EARTH SHOULDER. THE GRADING SHALL SHAPE THE EARTH SHOULDER TO CONFORM TO THE EARTH SHOULDER DETAIL. FERTILIZING AND SEEDING SHALL BE ACCOMPLISHED IN ACCORDANCE TO SPECIFICATION ITEM AR901510.
NO ADDITIONAL PAYMENT FOR THE GRADING AND SEEDING ITEM WILL BE MADE TO THE CONTRACTOR. PAYMENT FOR THE WORK SHALL BE INCLUDED IN THE BID AMOUNT PER TON FOR THE BITUMINOUS SURFACE COURSE.
ANY TURF AREAS DISTURBED BY THE CONTRACTOR WILL BE RESHAPED, FERTILIZED AND SEEDED ACCORDING TO THE ABOVE PARAGRAPH.

DATE	REVISION	BY



DECATUR, ILLINOIS

 I.L. PROJ.: DEC-3667

REV.	DATE	BY	CHKD.
1	12/01/06	CCC	CCC
2	12/01/06	CCC	CCC
3	12/15/06	WJM/RAW	WJM/RAW



HANSON

 Hanson Professional Services Inc.

 1524 South Sixth Street

 Springfield, Illinois 62703-2886

 Offices Nationwide

RECONSTRUCT A PORTION OF RUNWAY 6/24, TAXIWAY A AND C

RWY 6-24 RECONSTRUCTION EXISTING & PROPOSED TYPICAL SECTIONS

MAR 16, 2007 1:47 PM RAW
 I:\AIRPORTS\DECATUR\802-07RWY\AIRPORT\ SHEETS\R-521TYP.DWG - Typ. Sections - 6-24