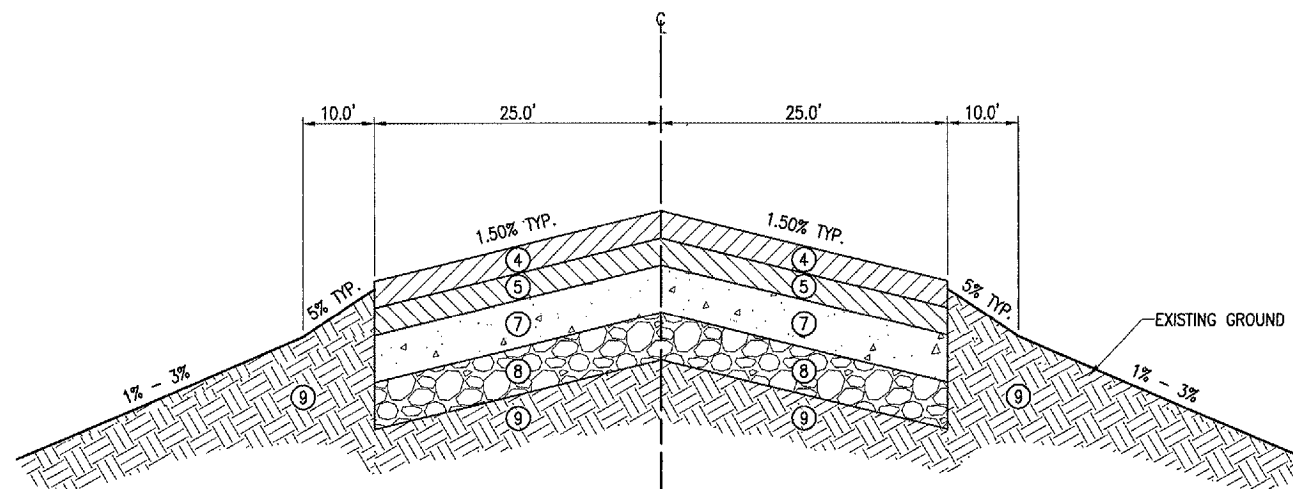


**LEGEND FOR TYPICAL SECTION**

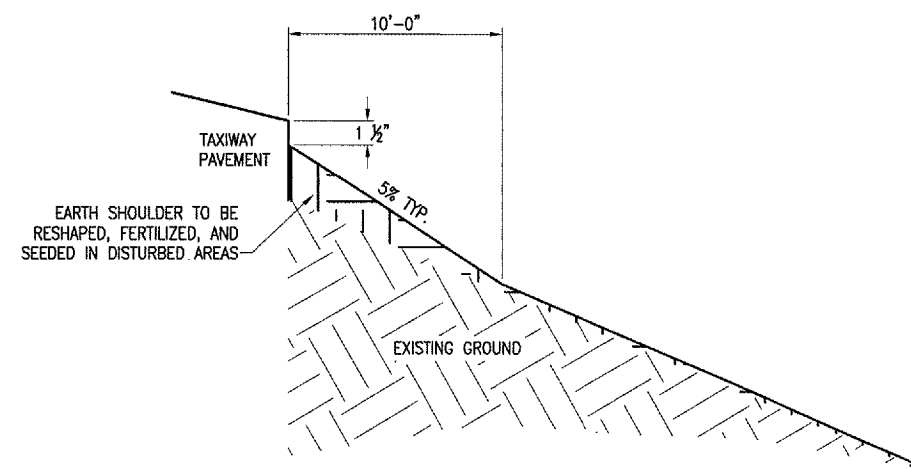
- ① PROPOSED AR401: BITUMINOUS SURFACE COURSE - 4" (2 LIFTS)
  - ② PROPOSED AR603: BITUMINOUS TACK COAT (RATE PER SPECIFICATION)
  - ③ PROPOSED AR603: BITUMINOUS TACK COAT (RATE PER SPECIFICATION)
  - ④ EXISTING AR401: BITUMINOUS SURFACE COURSE - 2"
  - ⑤ EXISTING AR201: BITUMINOUS BASE COURSE - 3"-12" VARIABLE DEPTH
  - ⑥ EXISTING AR201: BITUMINOUS BASE COURSE - 1"-10" VARIABLE DEPTH
  - ⑦ EXISTING AR501: PCC PAVEMENT - 9"
  - ⑧ EXISTING AR154: GRANULAR BLANKET COURSE - 7"
  - ⑨ EXISTING GROUND
- BITUMINOUS MILLING - VARIABLE 3" TO 5"



**EXISTING TAXIWAY PAVEMENT - TYPICAL SECTION**

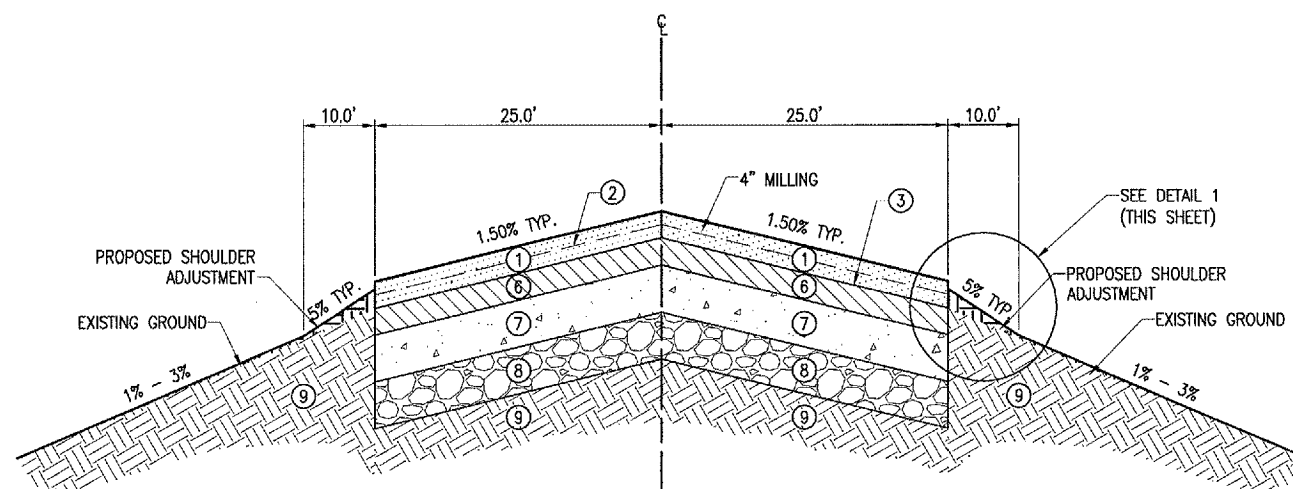
"NOT TO SCALE"

TAXIWAY "A" STA. 15+00 TO STA. 19+25  
TAXIWAY "C" STA. 131+75 TO STA. 139+35



**DETAIL 1**

EARTH SHOULDER



**PROPOSED TAXIWAY PAVEMENT - TYPICAL SECTION**

"NOT TO SCALE"

TAXIWAY "A" STA. 15+00 TO STA. 19+25  
TAXIWAY "C" STA. 131+75 TO STA. 139+35

**NOTE:**

THE CONTRACTOR WILL REGRADE, SEED AND FERTILIZE THE DISTURBED EARTH SHOULDER. THE GRADING SHALL SHAPE THE EARTH SHOULDER TO CONFORM TO THE EARTH SHOULDER DETAIL. FERTILIZING AND SEEDING SHALL BE ACCOMPLISHED IN ACCORDANCE TO SPECIFICATION ITEM AR901510.  
NO ADDITIONAL PAYMENT FOR THE GRADING AND SEEDING ITEM WILL BE MADE TO THE CONTRACTOR. PAYMENT FOR THE WORK SHALL BE INCLUDED IN THE BID AMOUNT PER TON FOR THE BITUMINOUS SURFACE COURSE.  
ANY TURF AREAS DISTURBED BY THE CONTRACTOR WILL BE RESHAPED, FERTILIZED AND SEEDED ACCORDING TO THE ABOVE PARAGRAPH.

DATE	REVISION	BY



DECATUR, ILLINOIS

IL PROJ.: DEC-3667 A.I.P. PROJ.: 3-17-0033-30

HEL Project No.	802-07RWY	LAYOUT	CCC	12/01/06
Drawings	R-521TYP.DWG	DRAWN	CCC	12/01/06
Scale	N/A	REVIEWED	WJM/RAW	12/15/06
Date	12/01/06			



HANSON  
Professional Services Inc.  
1525 South Sixth Street  
Springfield, Illinois 62703-2886  
Offices Nationwide

RECONSTRUCT A  
PORTION OF RUNWAY  
6/24, TAXIWAY A AND C  
TY A & C RECONSTRUCTION  
EXISTING & PROPOSED  
TYPICAL SECTIONS