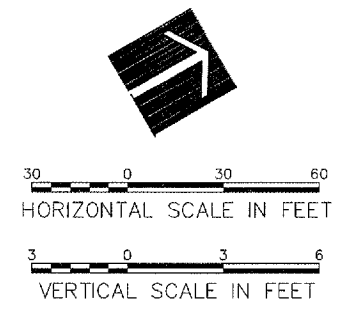
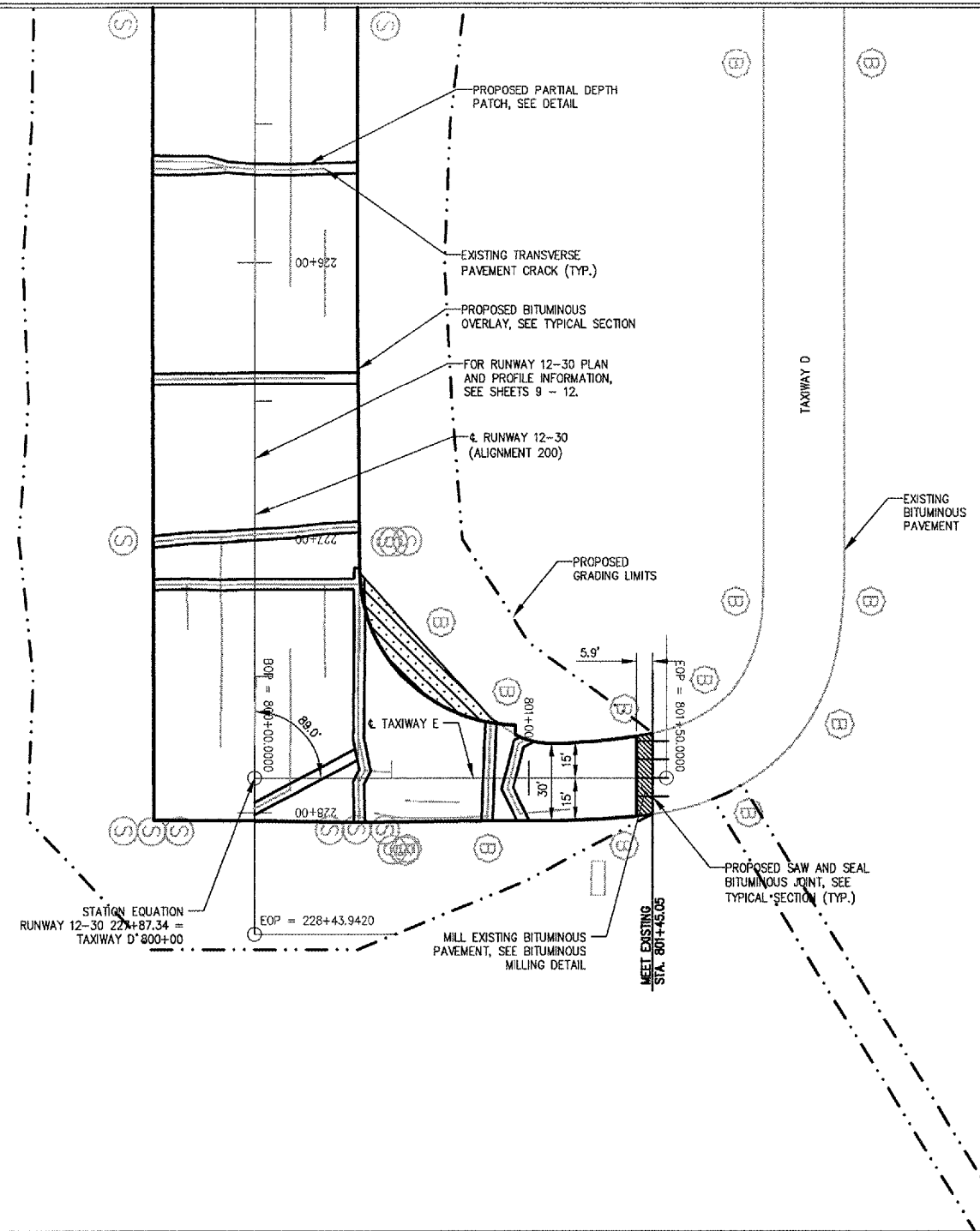


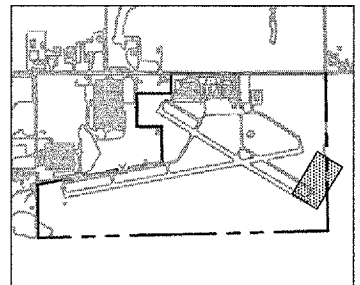


CITY OF DIXON, ILLINOIS  
 Post Office Box 386  
 Dixon, Illinois 61021  
 Telephone: 815.288.1485

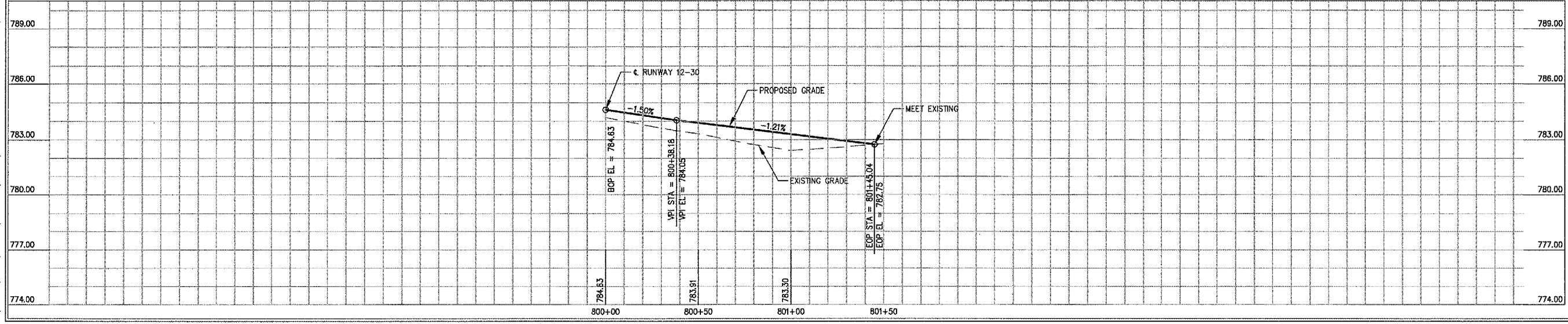
DIXON MUNICIPAL AIRPORT  
 CHARLES R. WALGREEN FIELD  
 REPAIR AND OVERLAY  
 PORTIONS OF RUNWAY 12-30  
 AIP PROJECT NO. 3-17-0036-B10  
 IDA PROJECT NO. C73-3686



**NOTES:**  
 1. FOR NOTES AND LEGEND, SEE SHEET 9.



No.	Drawing Issue Description	Date	By



Date  
 APRIL 20, 2007

Sheet Title  
**PLAN AND PROFILE  
 TAXIWAY E  
 STA. 800+00 THRU  
 STA. 801+50**

843-0688013

Project Number	LDH	11/14/06
Layout By	LDH	11/14/06
Designed By	RMH	04/20/07
Reviewed By	LDH	
Drawn By		

I:\06\085\088013\DRAWINGS\SHEETS\15-PLAN & PROFILE 800.DWG MAY 14, 2007 2:05PM LDH