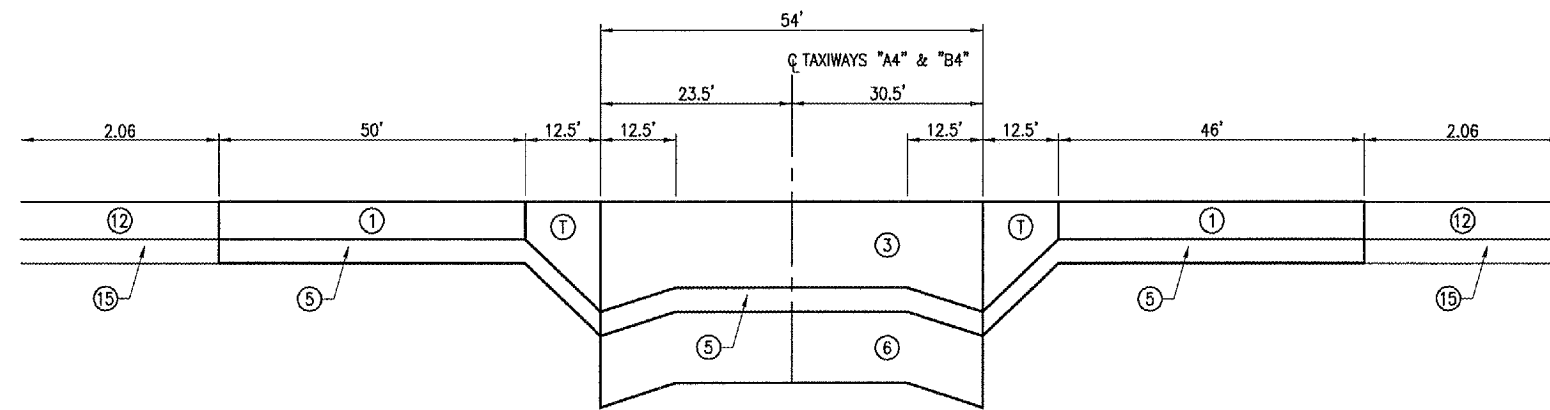
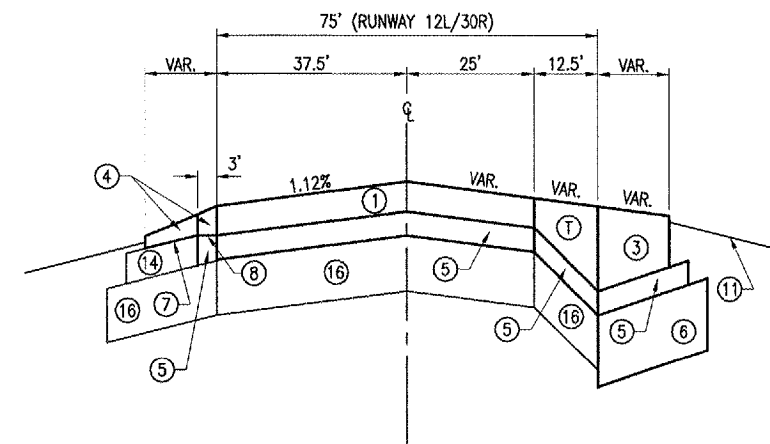


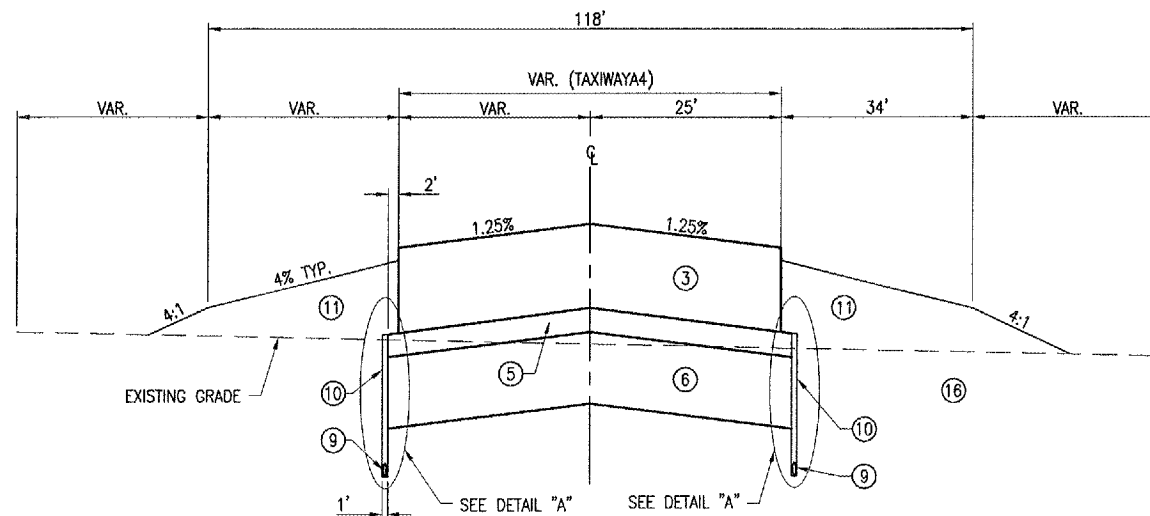
SECTION A-A
"NOT TO SCALE"



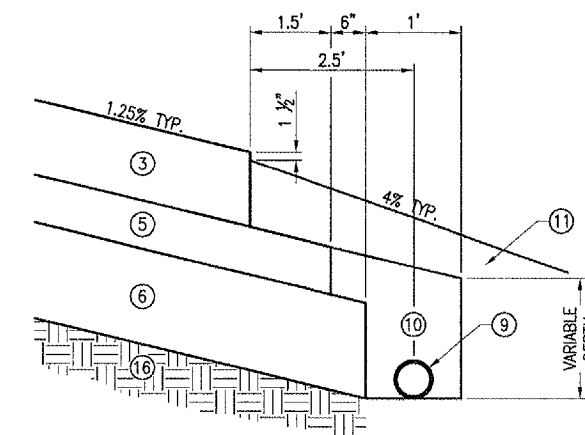
SECTION B-B
"NOT TO SCALE"



SECTION D-D
"NOT TO SCALE"



SECTION C-C
"NOT TO SCALE"



DETAIL "A"
"NOT TO SCALE"

LEGEND

- ① PROPOSED AR501506: 6" PCC PAVEMENT
- ② PROPOSED AR501510: 10" PCC PAVEMENT
- ③ PROPOSED AR501512: 12" PCC PAVEMENT
- ④ PROPOSED AR401610: BITUMINOUS SURFACE COURSE
- ⑤ PROPOSED AR209604: CRUSHED AGG. BASE COURSE - 4"
- ⑥ PROPOSED AR155612: SOIL PROCESSING-12"
- ⑦ PROPOSED AR603510: BITUMINOUS TACK COAT 0.15 GAL./S.Y.
- ⑧ PROPOSED AR602510: BITUMINOUS PRIME COAT 0.25 GAL./S.Y.
- ⑨ PROPOSED AR705524: 4" PERFORATED UNDERDRAIN W/SOCK
- ⑩ PROPOSED AR705411: POROUS BACKFILL NO. 1
- ⑪ PROPOSED EARTH FILLETS
- ⑫ EXISTING AR501506: PCC PAVEMENT - 6"
- ⑬ EXISTING AR501510: PCC PAVEMENT - 10"
- ⑭ EXISTING AR401610: BITUMINOUS SURFACE COURSE
- ⑮ EXISTING AR209604: CRUSHED AGG. BASE COURSE - 4"
- ⑯ EXISTING SUBGRADE
- Ⓣ PROPOSED PCC TAPER

DATE	REVISION	BY

SAINT LOUIS DOWNTOWN AIRPORT
A Division of Bi-State Development Agency
A.I.P. PROJ.: 3-17-0039-B17



REV. Project No. 84507TXD 0800	DATE	BY
Plan No. R-12 ECON.DWG	1/12/07	JAC
Scale N/A	1/12/07	CCC
Date 1/12/07	1/30/07	CAH
LAYOUT	REVIEWED	
DRAWN		

HANSON
Hanson Professional Services Inc.
4227 Earth City Expressway, Suite 130
St. Louis, MO 63045-1308
Offices Nationwide

CONSTRUCT TAXIWAY "A4"
PROPOSED TYPICAL SECTIONS

APR 18, 2007 1:10 PM BJK
F:\AIRPORTS\ST. LOUIS DOWNTOWN\84507TXD\AIRPORT\SHEETS\A-12\CON.DWG - TYPICAL SECTIONS