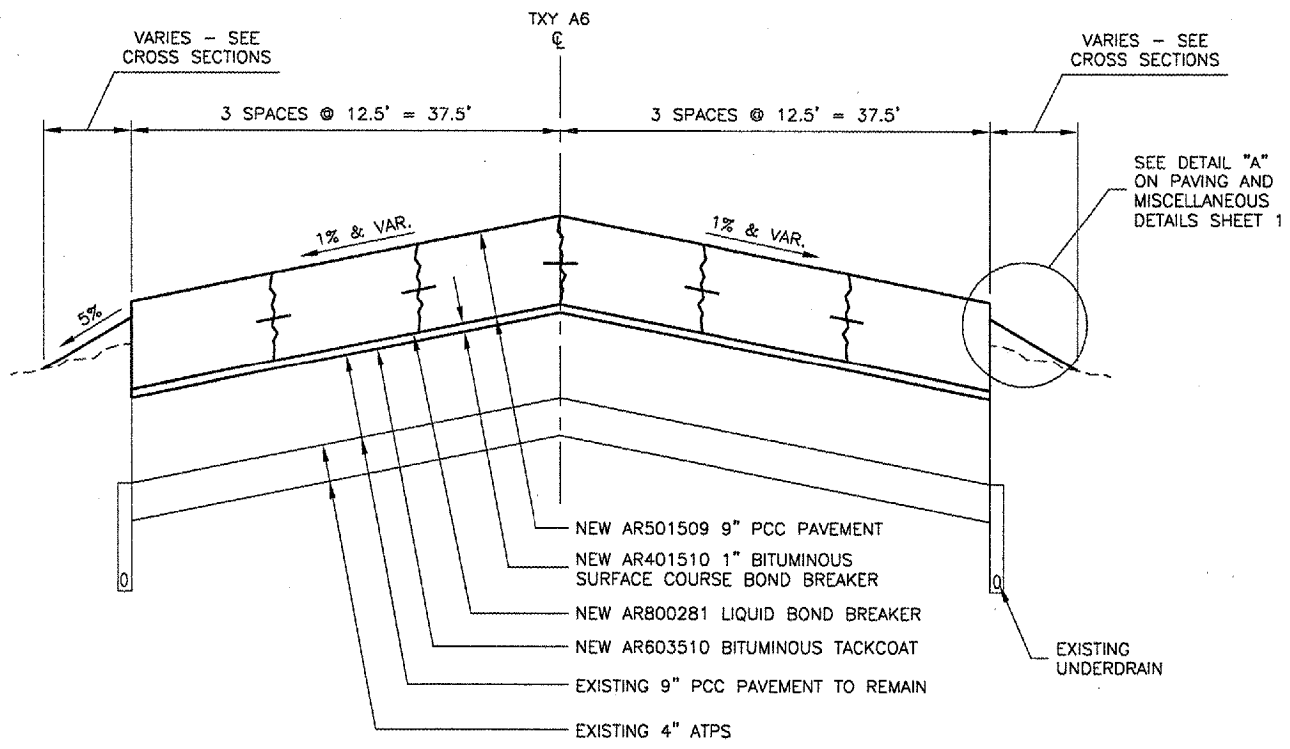
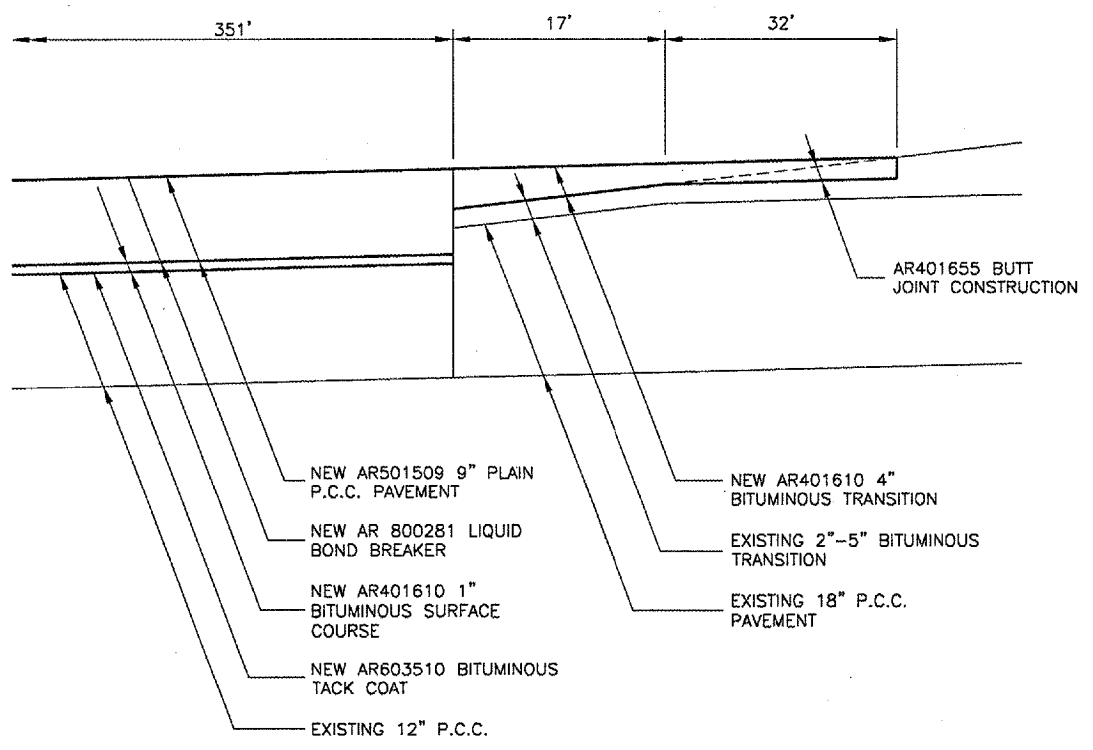


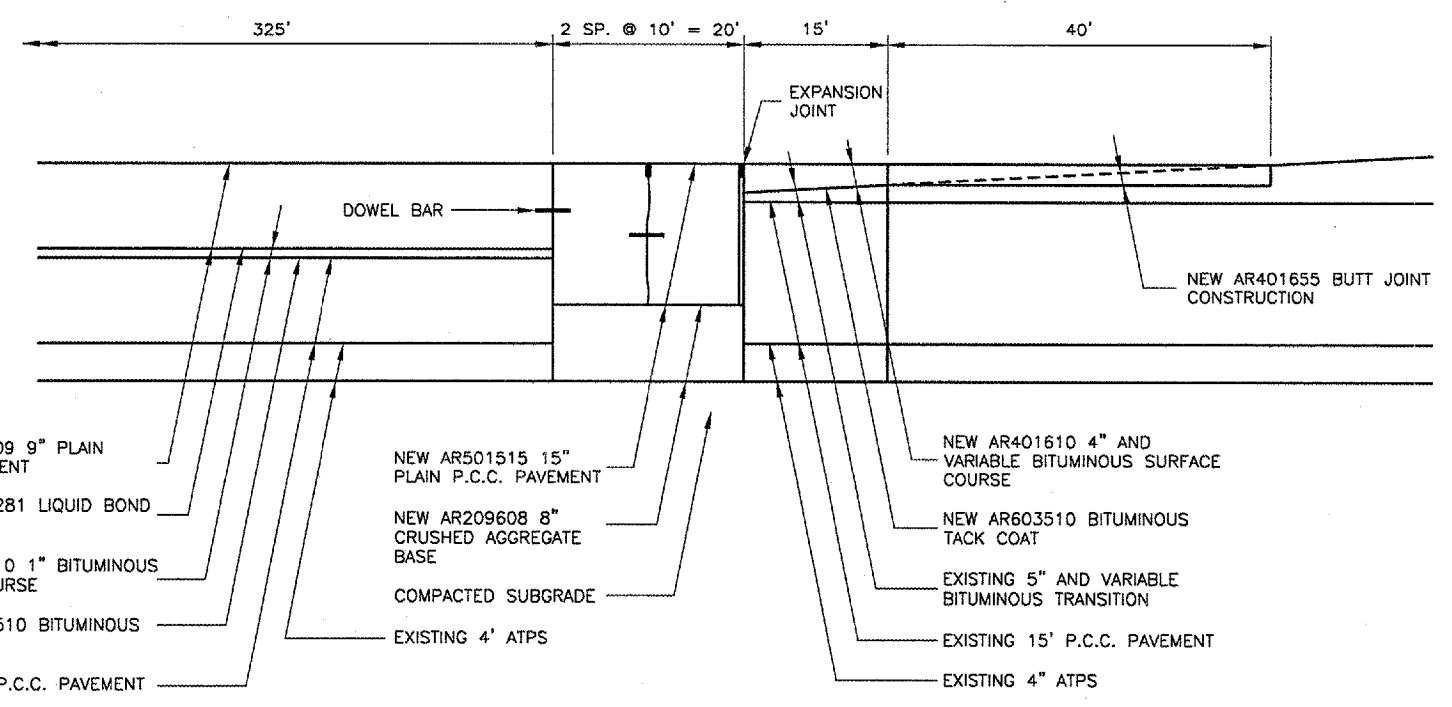
NEW TAXIWAY A6 TYPICAL SECTION
 N.T.S. (E)



NEW TAXIWAY A7 TYPICAL SECTION
 N.T.S. (F)

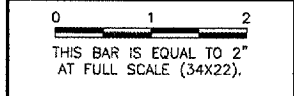


NEW TYPICAL SECTION - TXY A6 AT TXY A
 N.T.S. (G)



NEW TYPICAL SECTION - TXY A7 AT TXY A
 N.T.S. (H)

REVISIONS		
NUMBER	BY	DATE



UNIVERSITY OF ILLINOIS
 WILLARD AIRPORT

REHABILITATE AIR CARRIER RAMP, PHASE 2
 NEW TYPICAL SECTIONS - TAXIWAYS

© Copyright CMT, Inc.

CMT
 CRAWFORD, MURPHY & TILLY, INC.
 CONSULTING ENGINEERS
 License No. 194-000613

DESIGN BY:	SMS
DRAWN BY:	CMT
CHECKED BY:	<i>SMS</i>
APPROVED BY:	<i>SMS</i>
DATE:	4/27/2007
JOB No:	0305903