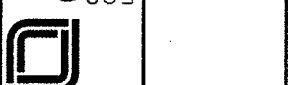


REVISIONS		
NUMBER	BY	DATE

0 1 2
 THIS BAR IS EQUAL TO 2" AT FULL SCALE (34X22).

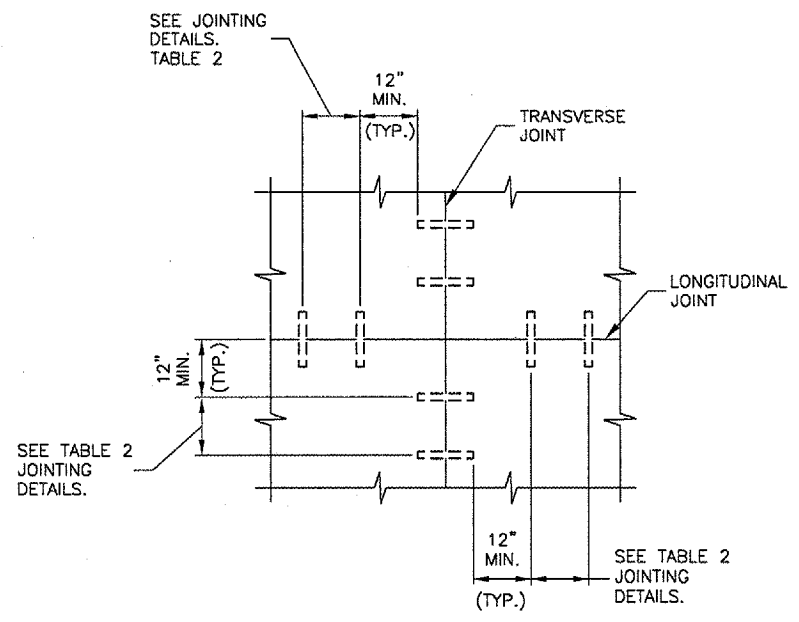
UNIVERSITY OF ILLINOIS
 WILLARD AIRPORT
 REHABILITATE AIR CARRIER RAMP, PHASE 2
 PAVING & MISCELLANEOUS DETAILS SHEET 1

© Copyright CMT, Inc.
CMT
 CRAWFORD, MURPHY & TILLY, INC.
 CONSULTING ENGINEERS
 License No. 161-000513

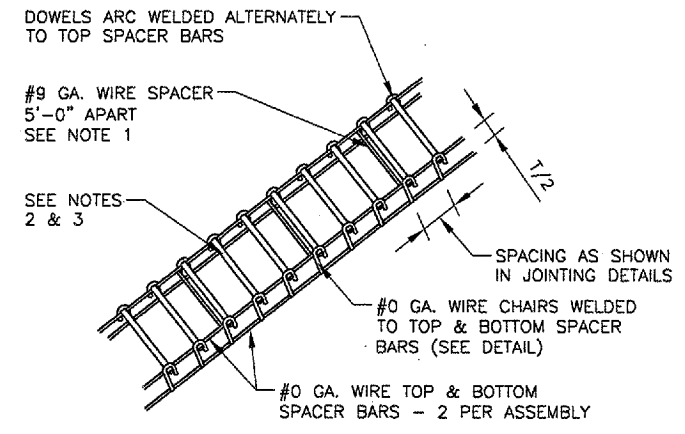


DESIGN BY:	SMS
DRAWN BY:	CMT
CHECKED BY:	<i>SMS</i>
APPROVED BY:	<i>SMS</i>
DATE:	4/27/2007
JOB No:	0305903

CMI-3663
 3-17-0016-XX



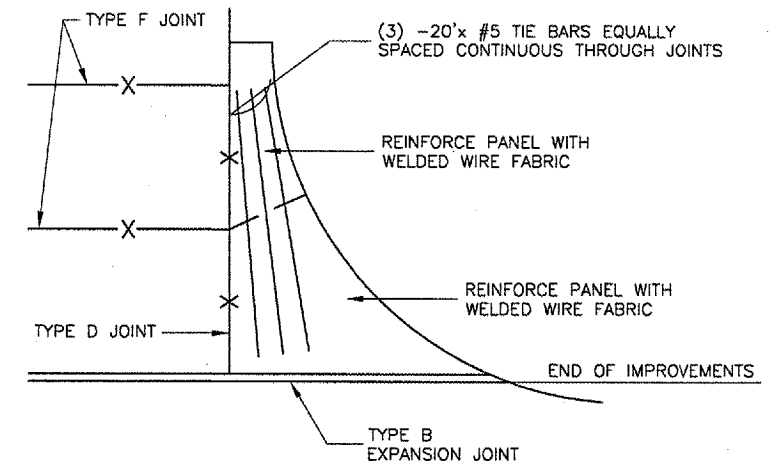
DOWEL INSTALLATION AT JOINT CORNERS DETAIL
 N.T.S.



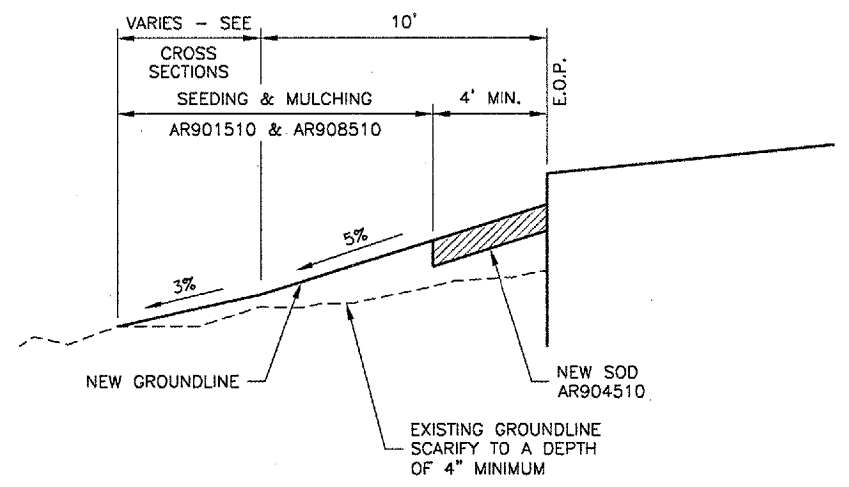
DOWEL BASKET ASSEMBLY DETAIL
 N.T.S.

DOWEL BASKET NOTES

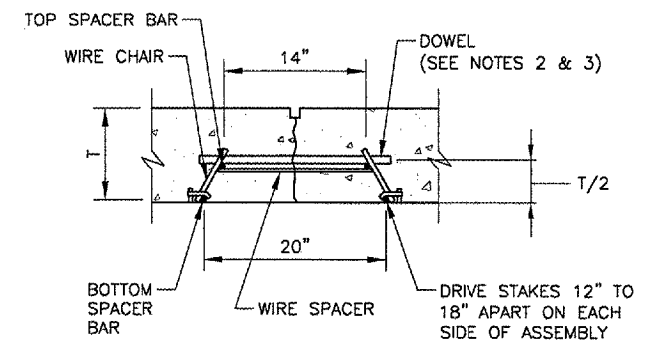
- #9 GA. WIRE SPACER BAR ARC WELDED TO THE BOTTOM OF TOP SPACER BAR (MAY BE MECHANICALLY ATTACHED IN LIEU OF WELDING); 3 REQUIRED PER UNIT.
- DOWEL BAR DIAMETER, LENGTH & SPACING SHALL BE AS SHOWN IN TABLE 2 OF JOINTING DETAILS SHEET.
- DOWELS SHALL BE EPOXY COATED FULL LENGTH OF DOWEL IMMEDIATELY PRIOR TO PAVING, THE FREE END OF EACH DOWEL SHALL BE LUBRICATED OR OILED, FOR HALF THE LENGTH OF THE DOWEL ONLY.



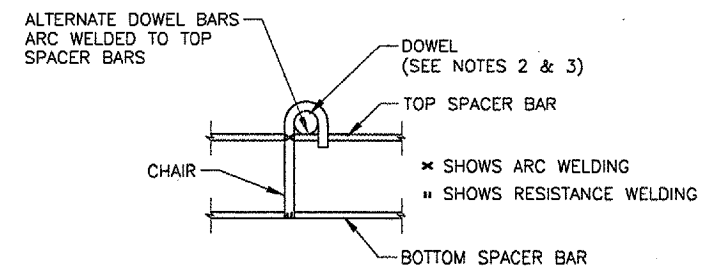
FILLET DETAIL AND FILLET REINFORCING DETAIL
 N.T.S.



NEW TURF SHOULDER DETAIL "A"
 N.T.S.

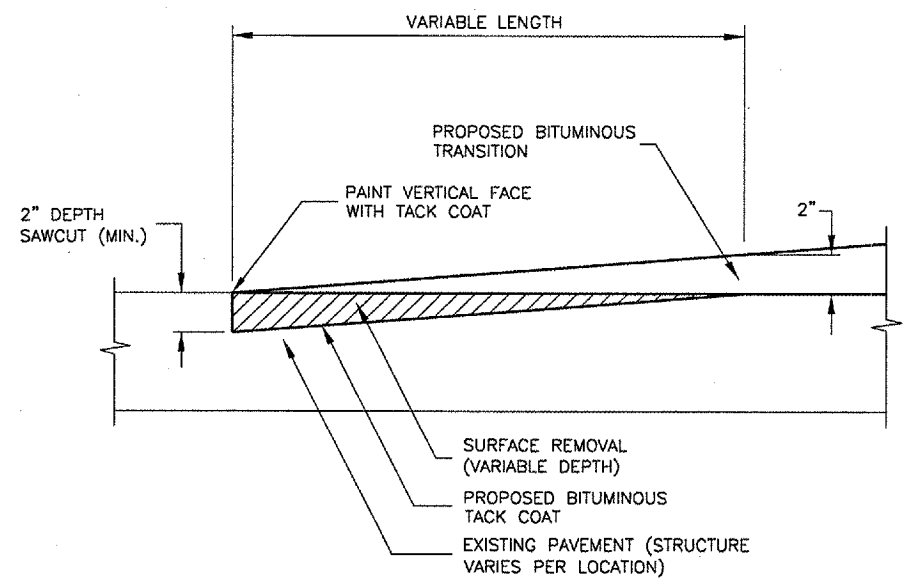


DOWEL BAR INSTALLATION DETAIL
 N.T.S.



TYPICAL DOWEL BASKET ELEVATION DETAIL SHOWING CHAIR
 N.T.S.

DOWEL BASKET DETAILS



BUTT JOINT DETAIL
 N.T.S.