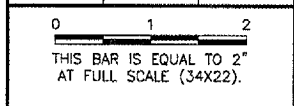


REVISIONS		
NUMBER	BY	DATE



**UNIVERSITY OF ILLINOIS
WILLARD AIRPORT**

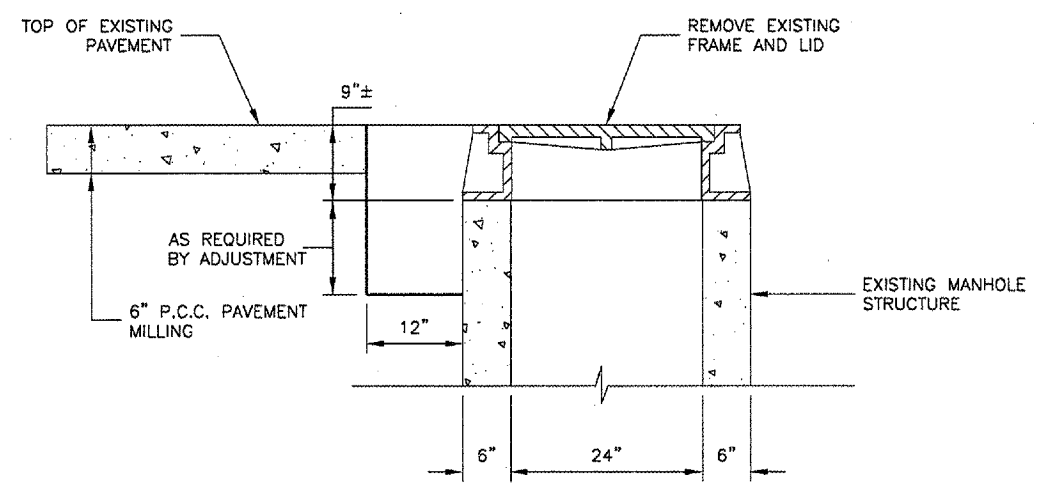
REHABILITATE AIR CARRIER RAMP, PHASE 2

PAVING AND MISCELLANEOUS DETAILS SHEET 2

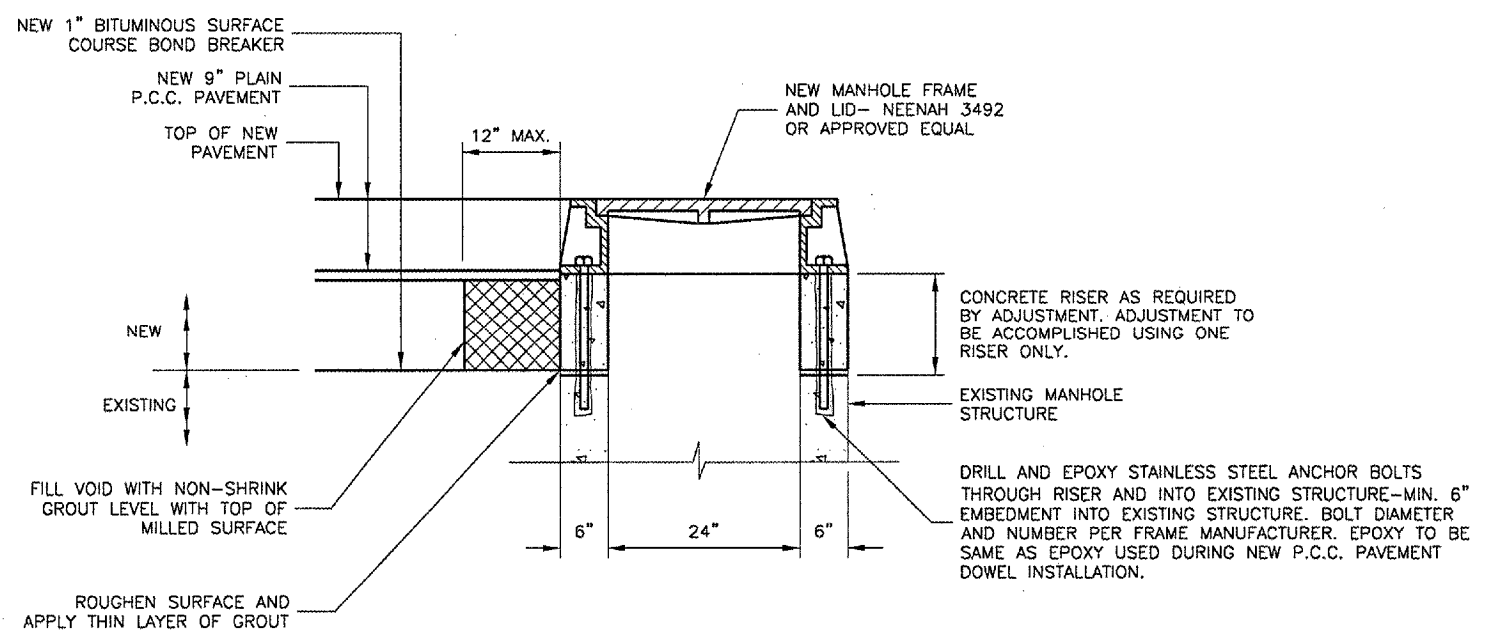
© Copyright CMT, Inc.

CMT
 CRAWFORD, MURPHY & TILLY, INC.
 CONSULTING ENGINEERS
 License No. 184-000513

DESIGN BY:	SMS
DRAWN BY:	CMT
CHECKED BY:	<i>sm8</i>
APPROVED BY:	<i>sm8</i>
DATE:	4/27/2007
JOB No:	0305903



BEFORE ADJUSTMENT



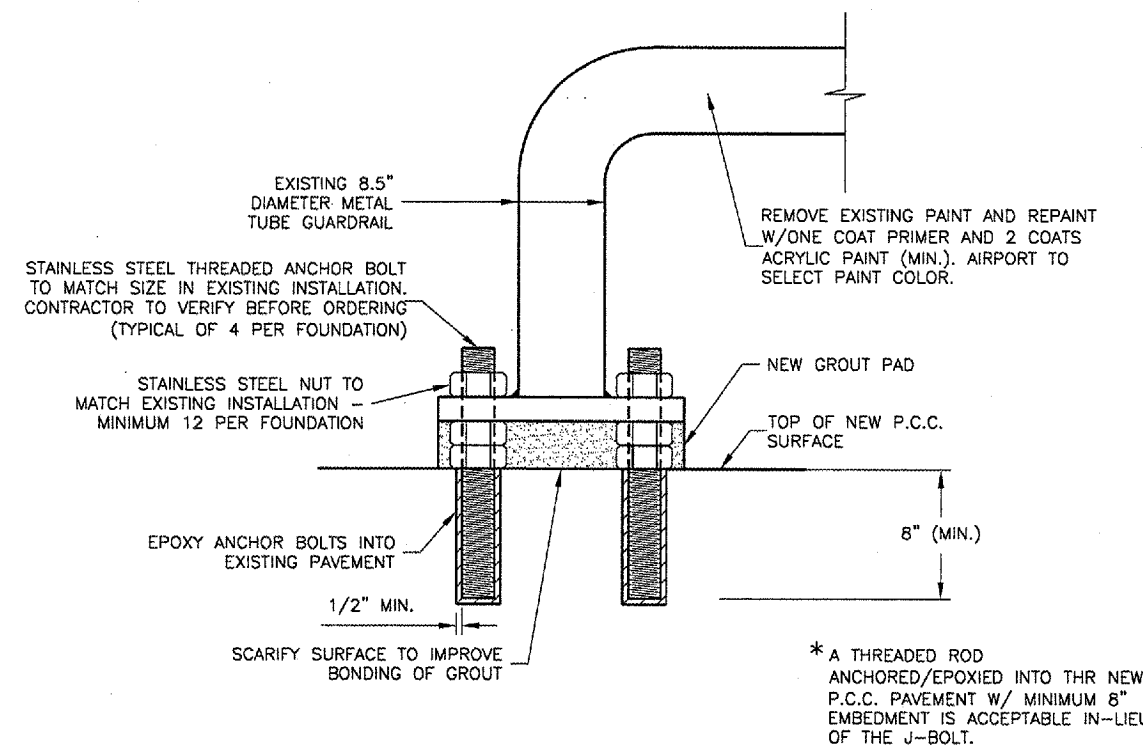
AFTER ADJUSTMENT

MANHOLE NOTES

- HEIGHT OF ADJUSTMENT SHOWN ON PROJECT IMPROVEMENTS SHEETS.

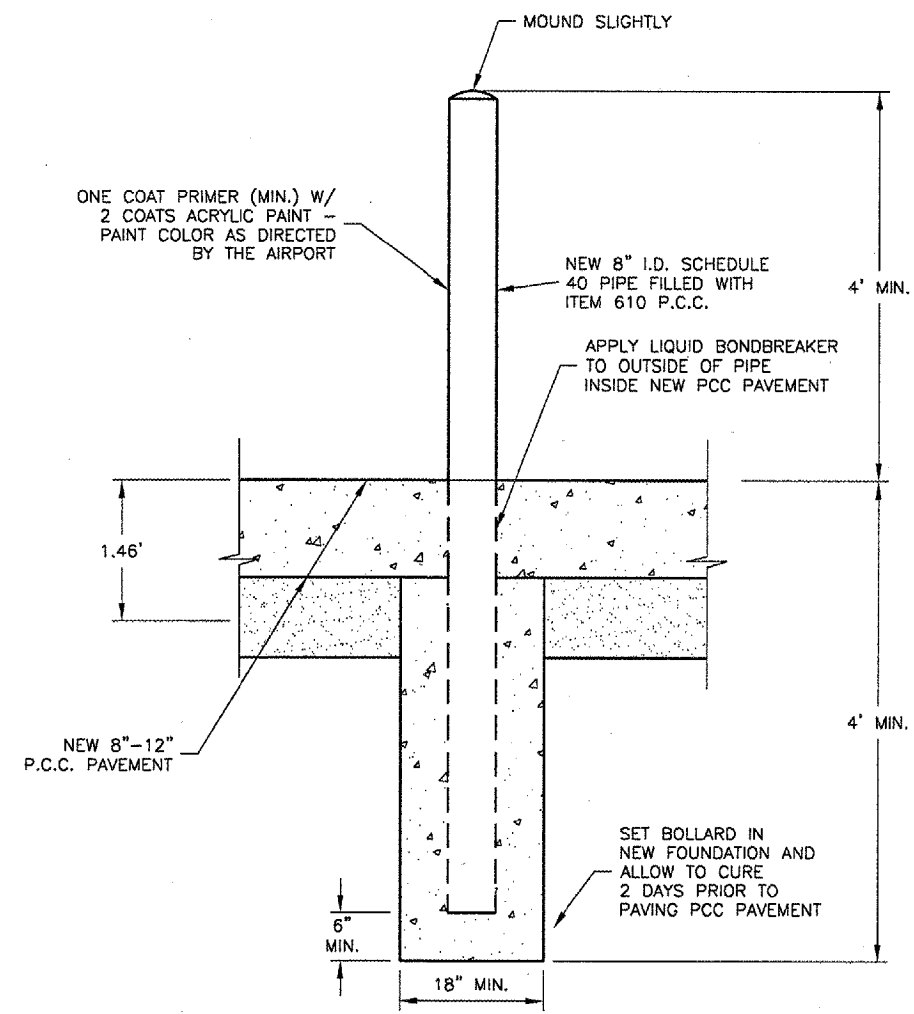
IN PAVEMENT MANHOLE ADJUSTMENT

N.T.S.



REMOVE AND REINSTALL METAL GUARDRAIL

N.T.S.



NEW BOLLARD DETAIL

N.T.S.