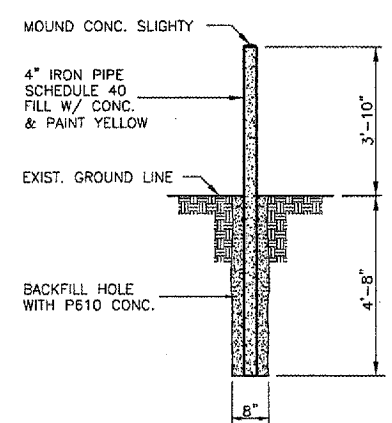
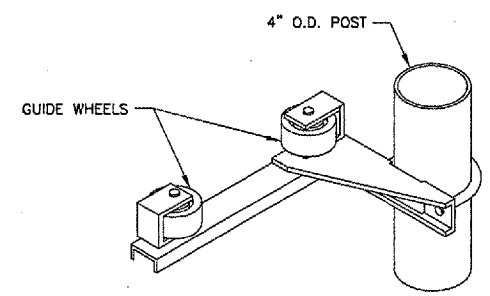


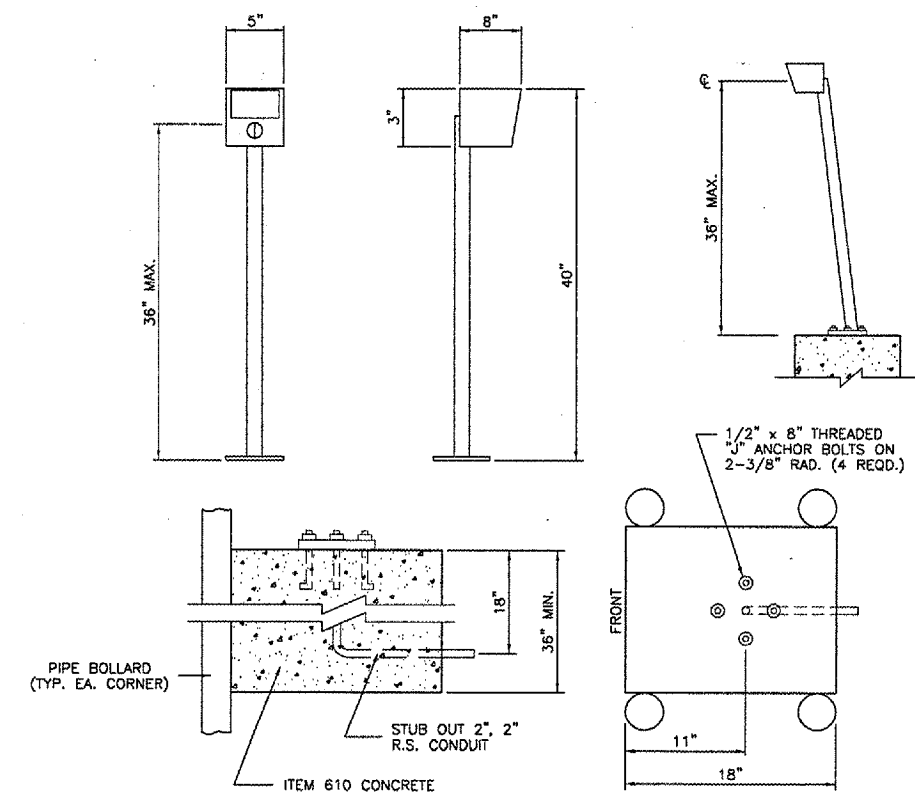
PLAN
GATE OPERATOR DETAIL
 N.T.S.



BOLLARD DETAIL
 N.T.S.

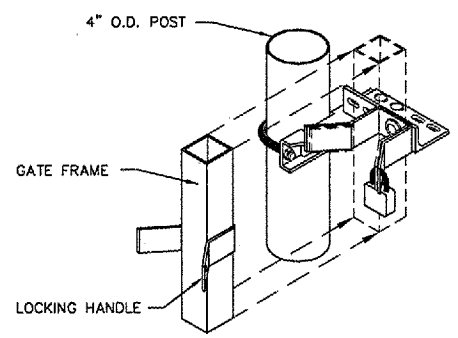


STANDARD BOTTOM GUIDE ASSEMBLY
 N.T.S.



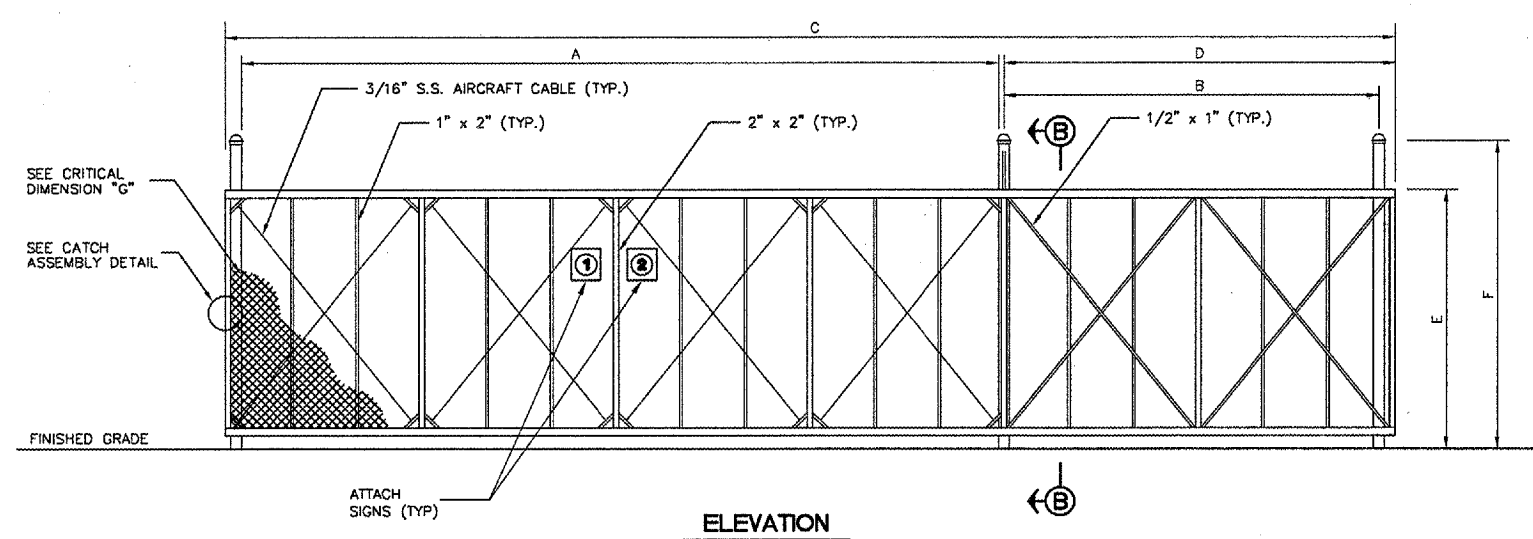
NOTE:
 DIMENSIONS OF CONDUIT KEY CONTROL AND ANCHOR BOLTS MAY BE CHANGED TO MEET MANUFACTURERS SPECIFICATIONS AND DIMENSIONS.

CARD READER DETAIL
 N.T.S.
 (DIMENSIONS SHALL BE ADJUSTED FOR ADDITIONAL EQUIPMENT REQUIRED)

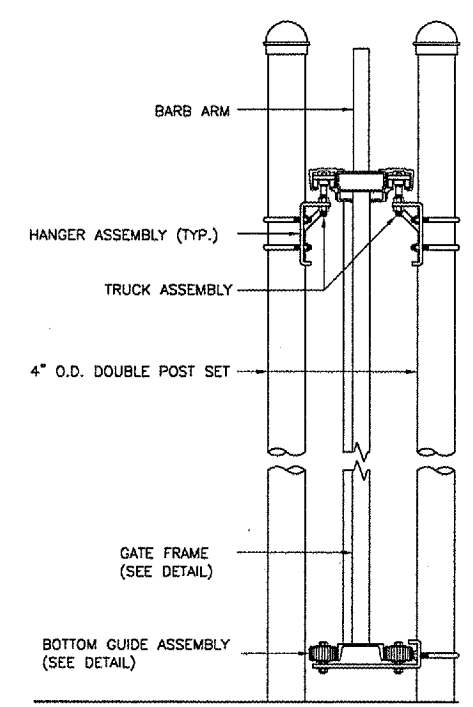


CATCH ASSEMBLY DETAIL
 (26' GATE SHOWN)

CRITICAL DIMENSIONS		
A	CLEAR OPENING	20'-0"
B	COUNTER BALANCE POST SPACING C/C	9'-1"
C	OVERALL GATE LENGTH	30'-0"
D	COUNTERBALANCE LENGTH	11'-0"
E	NOMINAL GATE HEIGHT	8'-0"
F	POST HEIGHT	9'-6"
G	FABRIC HEIGHT	7'-0"



ELEVATION
CANTILEVER SLIDE GATE
 (26' GATE SHOWN)



NOTE:
 EXTRUSIONS SHALL BE OVERSIZED FOR EXTRA RIGIDITY OVER "STANDARD" GATE DESIGN.

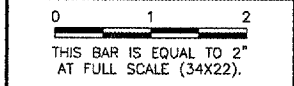
SECTION B-B
 (TYP. ALL GATES)

LOCATIONS, DETAILS AND CHARACTER OF EQUIPMENT SHOWN ON THIS SHEET ARE GENERIC. EQUIPMENT LOCATIONS SHALL BE AS RECOMMENDED BY THE EQUIPMENT MANUFACTURER.

NOTES

- CANTILEVERED GATE SHALL BE SUFFICIENTLY RIGID TO WITHSTAND FLEXING OR BENDING DURING WINDY CONDITIONS. CONTRACTOR SHALL PROVIDE STIFFENERS, STRUCTURAL SHAPES IN EXCESS OF THE MINIMUM SPECIFIED DIMENSIONS OR ADDITIONAL ROLLERS AND POSTS SUFFICIENT TO PREVENT DISPLACEMENT OF THE GATE BY WIND OR BY UNAUTHORIZED PERSONNEL.
- CONTRACTOR SHALL PROVIDE AND INSTALL GATE AS A COMPLETE WORKING UNIT. THE GATE WORK SHALL INCLUDE, BUT NOT BE LIMITED TO: GATE, OPERATOR, CARD READER AND POWER CABLES, CONDUIT, TRENCHING, CIRCUIT BREAKERS, AND ALL CONNECTIONS, LABOR AND MATERIALS NECESSARY TO COMPLETE OPERATION.
- LOCATION OF THE GATE OPERATOR SHALL BE AS RECOMMENDED BY THE MANUFACTURER.
- PIPE BOLLARDS SHALL BE INSTALLED AT LOCATIONS SHOWN IN PLAN VIEW.
- THE FABRIC TYPE & FINISH OF THE GATE, MATCH WITH THE PROPOSED FENCE OR AS DIRECTED BY THE ENGINEER.
- ALL SLIDING GATES SHALL HAVE ALL ROLLERS ENCLOSED IN STEEL OR PLASTIC SHROUDS TO PREVENT ACCIDENTAL INJURY.
- 3 STRANDS OF BARBED WIRE ON TOP OF GATE NOT SHOWN.

REVISIONS		
NUMBER	BY	DATE



UNIVERSITY OF ILLINOIS
 WILLARD AIRPORT
 REHABILITATE AIR CARRIER RAMP, PHASE 2
 ELECTRICAL GATE DETAILS SHEET 1

© Copyright CMT, Inc.
CMT
 CRAWFORD, MURPHY & TILLY, INC.
 CONSULTING ENGINEERS
 License No. 184-00063

DESIGN BY: CMT
 DRAWN BY: CMT
 CHECKED BY: *SMB*
 APPROVED BY: *SMB*
 DATE: 4/27/2007
 JOB No: 0305903