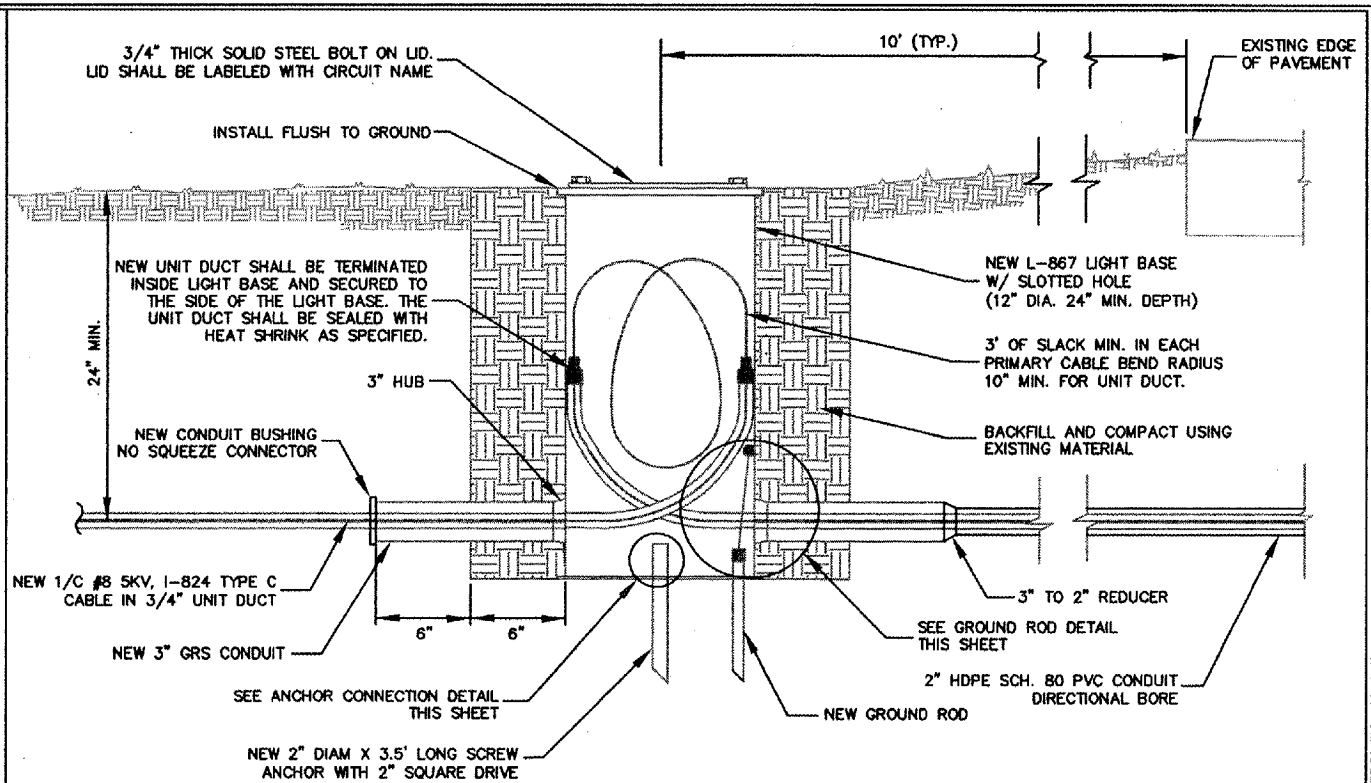


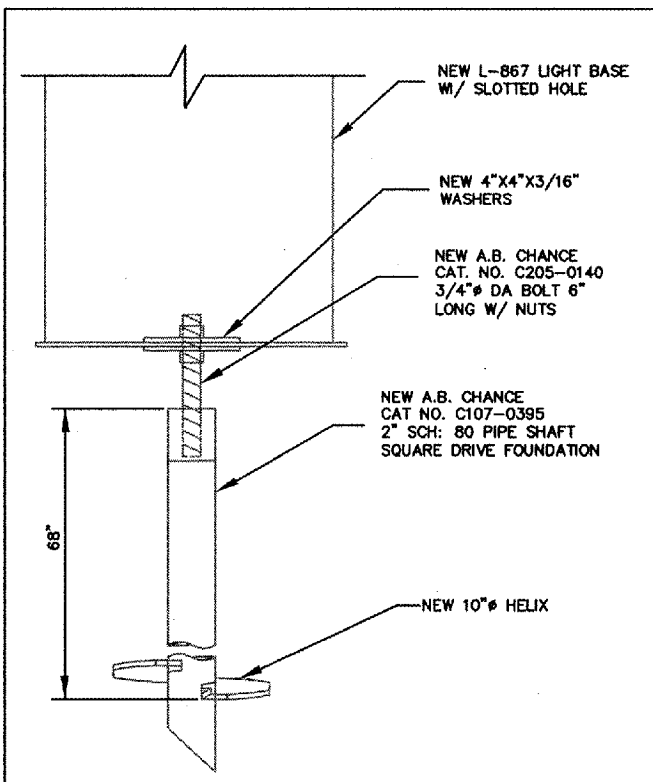
**AR800808 MTL-BASE MOUNTED, ANCHORED**  
NOT TO SCALE

- NOTES
1. TRANSFORMER HOLDER SHALL BE ANY COMMERCIALY AVAILABLE BRICK.
  2. ISOLATION TRANSFORMERS COME WITH A FACTORY INSTALLED PLUG (TYPE 1, CLASS A, STYLE 2) AND RECPACLE (TYPE 1, CLASS A, STYLE 9) A TYPE 1, CLASS B, STYLE 3 PLUG AND TYPE 1, CLASS B, STYLE 10 RECEPTACLE SHALL BE INSTALLED ON THE 1/C NO. 8, 5000 V., L-824 TYPE C CABLES FOR CONNECTION TO EACH TRANSFORMER.



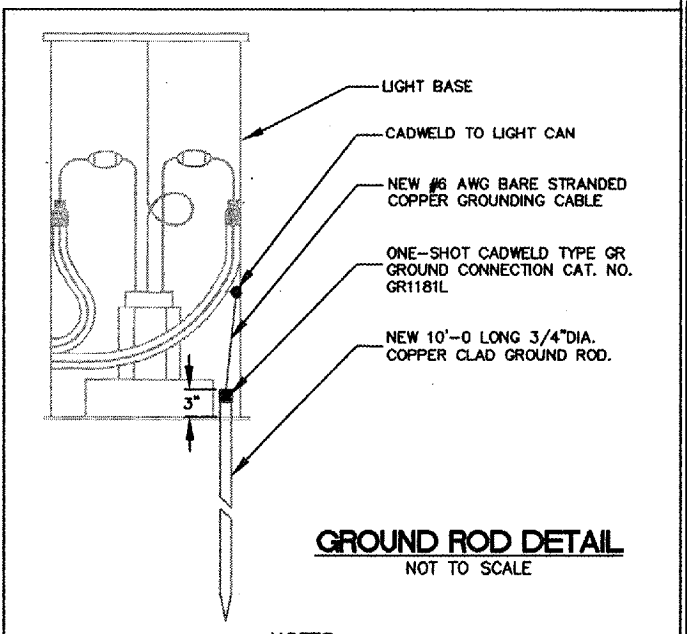
**AR800812 SPLICE CAN, ANCHORED**  
NOT TO SCALE

- NOTES
1. CONNECTION TO THE 2" PVC CONDUIT SHALL BE INCIDENTAL TO THE PAY ITEM AND SHALL BE COMPLETED IN ACCORDANCE TO THE MANUFACTURERS SPECIFICATION.
  2. CABLE SHALL BE CONTINUOUSLY PULLED THROUGH SPLICE CAN AND CONDUIT. NO SPLICES WILL BE ALLOWED.



**ANCHOR CONNECTION DETAIL**  
NOT TO SCALE

- NOTES
1. ANCHOR CONNECTION SHALL BE COMPLETED IN ACCORDANCE TO THE MANUFACTURERS SPECIFICATION.



**GROUND ROD DETAIL**  
NOT TO SCALE

- NOTES
1. GROUND ROD SHALL BE INCIDENTAL TO THE ASSOCIATED PAY ITEM.
  2. ALL WORK TO RETROFIT EXISTING AND NEW LIGHT BASES SHALL BE INCIDENTAL TO PAY ITEM.

**ELECTRICAL DETAILS 2  
TAXIWAYS C, D AND F**

WH006



Whiteside County **AIRPORT**  
JOSEPH H. BITTORF FIELD

Whiteside County  
**Airport**

Sterling / Rock Falls,  
Illinois

Whiteside County  
**Airport**

AIP: 3-17-0098-XX  
SQI-3694

Recable Airfield

**FINAL  
SUBMITTAL**

Revisions	
Date	Description

THIS BAR IS EQUAL TO 1" AT FULL SCALE (17 X 11).

DESIGN BY:	CMT-RFD
DRAWN BY:	CMT-RFD
CHECKED BY:	CMT-RFD
APPROVED BY:	JGP
DATE:	4.20.2007
JOB No:	06292-03-00

**ELECTRICAL  
DETAILS 2  
TXYS C, D AND F  
(EDT2)**